

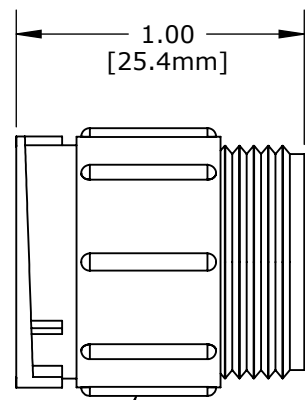
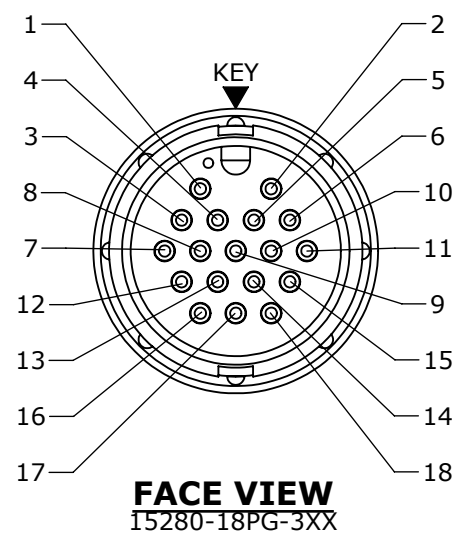
CUSTOMER PRINT

PART NUMBER: 15280-18PG-3XX

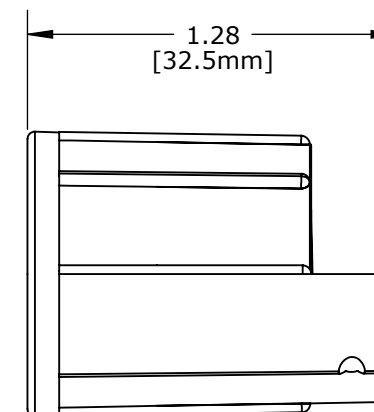
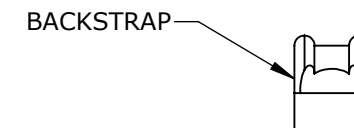
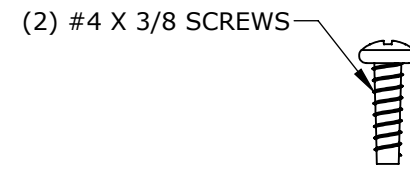
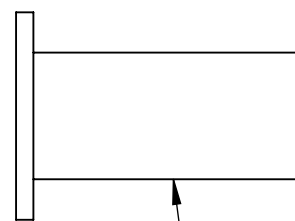
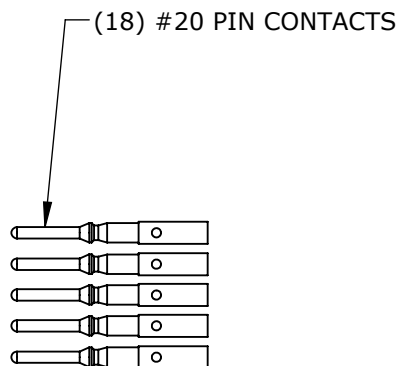
- NOTES:
 1. PARTS TO BE BULK PACKED.
 2. ALL DIMENSIONS REFERENCE ONLY.

KIT P/N	NO. OF CONTACTS
15280-18PG-3XX	18 #20
15280-XXPG-3XX	

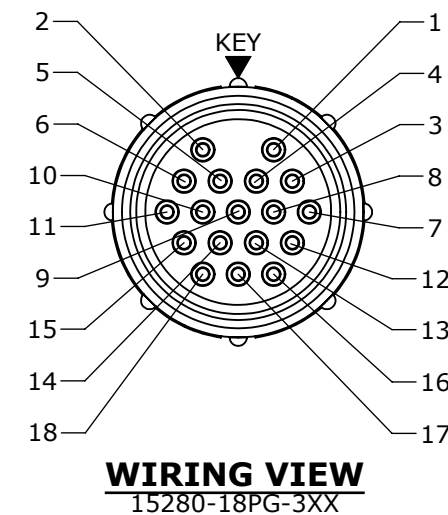
GROMMET SIZE
 NO. OF CONTACTS



CABLE TO CABLE CONNECTOR



BACKSHELL



KIT P/N	CABLE O.D.
15280-XXPG-321	.21-.25 [5.3-6.3mm]
15280-XXPG-326	.26-.30 [6.6-7.6mm]
15280-XXPG-331	.31-.38 [7.8-9.6mm]

CUSTOMER APPROVAL

THIS DOCUMENT CONTAINS CONFIDENTIAL INFORMATION PROPRIETARY TO CONXALL CORPORATION. ANY REPRODUCTION, DISCLOSURE, OR USE OF THIS DOCUMENT /INFORMATION IS EXPRESSLY PROHIBITED UNLESS AUTHORIZED IN WRITING BY CONXALL CORPORATION.

APPROVED BY: _____
 DATE: _____

A	BZ	06-28-10	DRAWING CREATED PER DOR 10-E149SL
REV.	INIT.	DATE	DESCRIPTION
	BZ	06-28-10	ORIG. DRAWN BY: DATE: 06-28-10
ALL INFORMATION ILLUSTRATED IS THE PROPERTY OF "CONXALL CORPORATION." UNAUTHORIZED DUPLICATION OR DISTRIBUTION OF THIS DOCUMENT IS PROHIBITED.			 601 E. WILDWOOD VILLA PARK, IL 60181
ALL UNITS ARE IN FEET, INCHES, FRACTION OF INCHES AND DECIMALS.			
APPROVED BY:			TITLE: CABLE TO CABLE CONNECTOR KIT (18) #20 PIN CONTACTS MAXI-CON-X
SCALE	SIZE	SHEET	CUSTOMER: STANDARD PRODUCT
NTS	B	1 OF 1	
FILE:	DIRECTORY:	PART NUMBER:	REV
15280-18PG-3XX	SLW	15280-18PG-3XX	A

DIMENSIONS IN BRACKETS [] ARE METRIC

RoHS COMPLIANT