

CUSTOMER PRINT

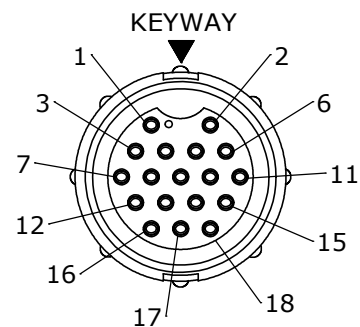
PART NUMBER: 15282-18SG-3XX

NOTES:

1. PARTS TO BE BULK PACKED
2. CONTACTS ARE INSERTED INTO CONNECTOR
3. ALL DIMENSIONS ARE REFERENCE EXCEPT THOSE WITH A TOLERANCE

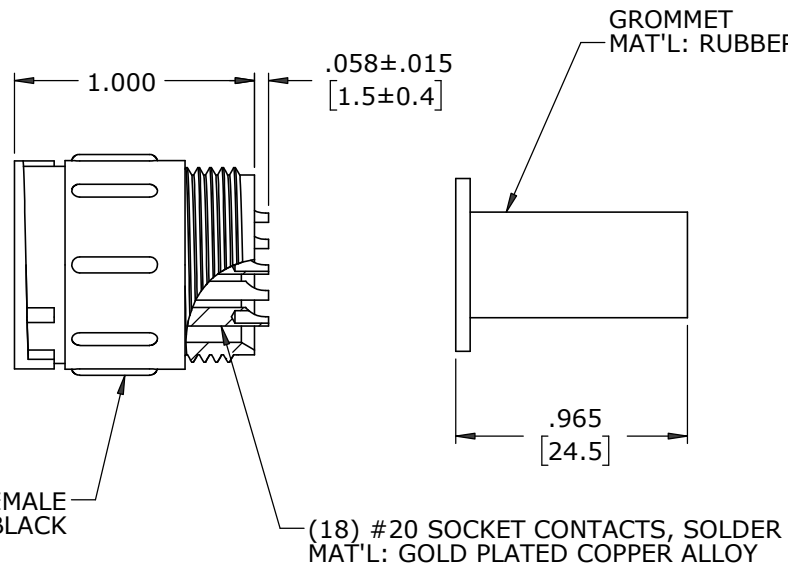
ASS'Y P/N	NO. OF CONTACTS	GROMMET SIZE
15282-18SG-321	18 #20	.250 GROMMET I.D. FOR CABLE O.D. .21-.25 [5.3-6.3mm]
15282-18SG-326	18 #20	.280 GROMMET I.D. FOR CABLE O.D. .26-.30 [6.6-7.6mm]
15282-18SG-331	18 #20	.370 GROMMET I.D. FOR CABLE O.D. .31-.38 [7.8-9.36mm]
15282-18SG-3XX		

GROMMET SIZE



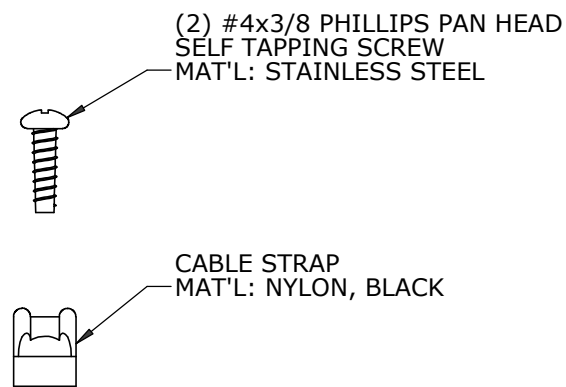
**FACE VIEW**  
15282-18SG-3XX

IN-LINE CONNECTOR, FEMALE  
MAT'L: NYLON, BLACK



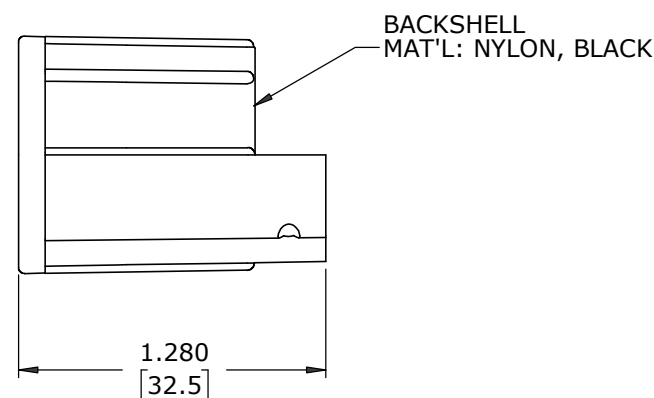
GROMMET  
MAT'L: RUBBER, BLACK

(18) #20 SOCKET CONTACTS, SOLDER  
MAT'L: GOLD PLATED COPPER ALLOY

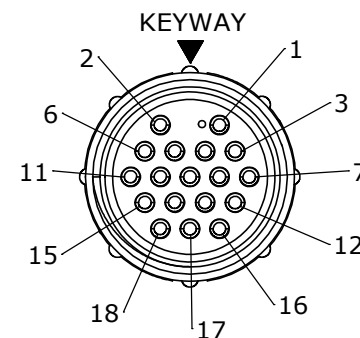


(2) #4x3/8 PHILLIPS PAN HEAD  
SELF TAPPING SCREW  
MAT'L: STAINLESS STEEL

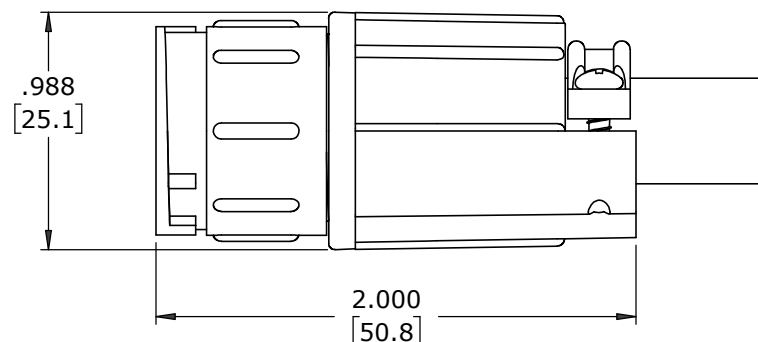
CABLE STRAP  
MAT'L: NYLON, BLACK



BACKSHELL  
MAT'L: NYLON, BLACK



**WIRE VIEW**  
15282-18SG-3XX



**ASSEMBLED VIEW**  
FOR CUSTOMER REFERENCE ONLY

DIMENSIONS IN BRACKETS [ ] ARE IN MILLIMETERS UNLESS INDICATED

CUSTOMER APPROVAL

THIS DOCUMENT CONTAINS CONFIDENTIAL INFORMATION PROPRIETARY TO CONXALL CORPORATION. ANY REPRODUCTION, DISCLOSURE, OR USE OF THIS DOCUMENT /INFORMATION IS EXPRESSLY PROHIBITED UNLESS AUTHORIZED IN WRITING BY CONXALL CORPORATION.

APPROVED BY: \_\_\_\_\_  
DATE: \_\_\_\_\_

**RoHS COMPLIANT**

A	MA	06-18-21	DRAWING CREATED PER DOR 15-E253SL-45	
REV.	INIT.	DATE	DESCRIPTION	
	MA	06-18-21	CABLE CONNECTOR ASS'Y (18) #20 SOCKET CONTACTS	
ALL INFORMATION ILLUSTRATED IS THE PROPERTY OF "CONXALL CORPORATION". UNAUTHORIZED DUPLICATION OR DISTRIBUTION OF THIS DOCUMENT IS PROHIBITED.			<p>601 E. WILDWOOD VILLA PARK, IL 60181</p>	
ALL UNITS ARE IN FEET, INCHES, FRACTIONS OF INCHES AND DECIMALS.				
SCALE	SIZE	SHEET	TITLE:	
NTS	B	1 OF 1	CABLE CONNECTOR ASS'Y (18) #20 SOCKET CONTACTS	
FILE:	DIRECTORY:	PART NUMBER:	CUSTOMER: STANDARD PRODUCT	
15282-18SG-3XX	SLW	15282-18SG-3XX		
			REV	A