

CUSTOMER PRINT

PART NUMBER: 15380-XXPG-3XX

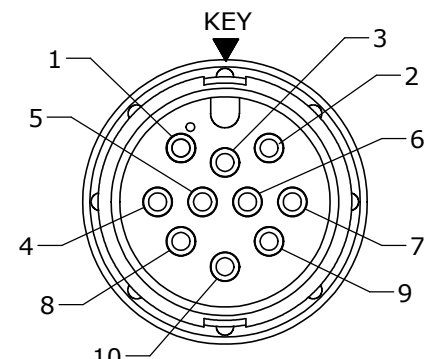
NOTES:

1. ALL PARTS TO BE BULK PACKED.
2. CONTACTS ARE SHIPPED UNASSEMBLED
3. SEE HPMXSTD FOR HOLE PATTERN
4. ALL DIMENSIONS ARE REFERENCE EXCEPT THOSE WITH A TOLERANCE

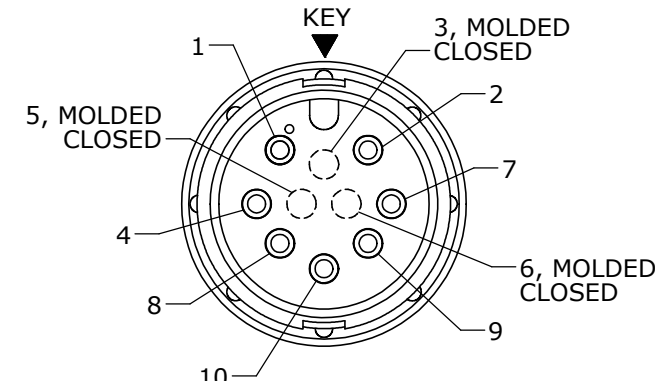
ASSY P/N	FOR CABLE O.D.
15380-XXPG-321	.21-.25 [5.3-6.4]
15380-XXPG-326	.26-.30 [6.6-7.6]
15380-XXPG-331	.31-.38 [7.9-9.7]

ASSY P/N	NO. OF CONTACTS
15380-7PG-3XX	7
15380-10PG-3XX	10
15380-XXPG-3XX	

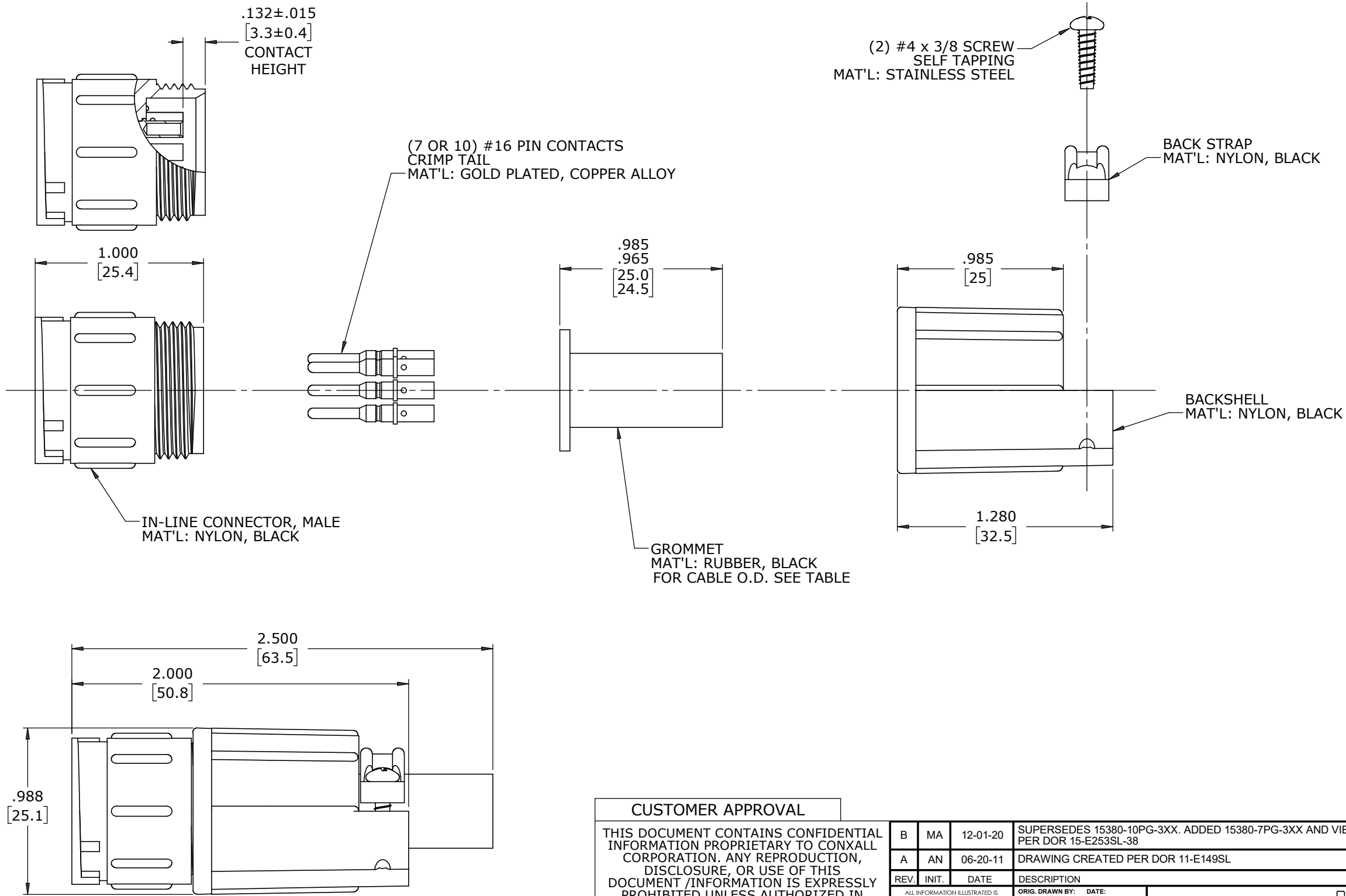
GROMMET SIZE
NUMBER OF CONTACTS



MATING FACE
15380-10PG-3XX



MATING FACE
15380-7PG-3XX



SHOWN ASSEMBLED KIT
FOR CUSTOMER REFERENCE ONLY

DIMENSIONS IN BRACKETS [] ARE IN MILLIMETERS

CUSTOMER APPROVAL

THIS DOCUMENT CONTAINS CONFIDENTIAL INFORMATION PROPRIETARY TO CONXALL CORPORATION. ANY REPRODUCTION, DISCLOSURE, OR USE OF THIS DOCUMENT /INFORMATION IS EXPRESSLY PROHIBITED UNLESS AUTHORIZED IN WRITING BY CONXALL CORPORATION.

APPROVED BY: _____
DATE: _____

B	MA	12-01-20	SUPERSEDES 15380-10PG-3XX. ADDED 15380-7PG-3XX AND VIEWS PER DOR 15-E253SL-38
A	AN	06-20-11	DRAWING CREATED PER DOR 11-E149SL
REV.	INIT.	DATE	DESCRIPTION
AN		06-20-11	ORIG. DRAWN BY: AN DATE: 06-20-11
			CHECKED BY:
			APPROVED BY:
			TITLE: CONNECTOR KIT (7 & 10) #16 PIN CONTACTS, CRIMP TAIL MAXI-CON-X CUSTOMER: STANDARD PRODUCT
SCALE	SIZE	SHEET	
NTS	B	1 OF 1	
FILE:	DIRECTORY:	PART NUMBER:	REV
15380-XXPG-3XX	SLW	15380-XXPG-3XX	B

RoHS COMPLIANT

CRITICAL CHARACTERISTIC FLAG PER SPEC. XXXX