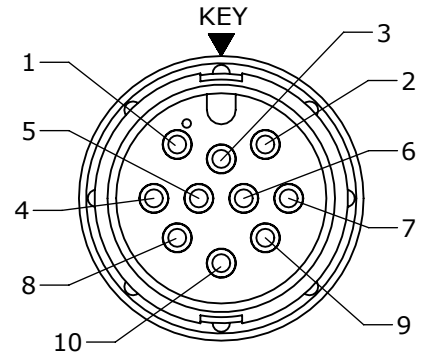
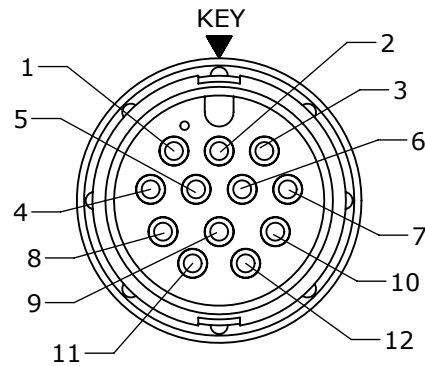


ASSY P/N	NO. OF POS.	CABLE O.D.
15382-10PG-321	10	0.21-0.25 [5.3-6.3mm]
15382-10PG-326		0.26-0.30 [6.6-7.6mm]
15382-10PG-331		0.31-0.38 [7.8-9.6mm]
15382-12PG-321	12	0.21-0.25 [5.3-6.3mm]
15382-12PG-326		0.26-0.30 [6.6-7.6mm]
15382-12PG-331		0.31-0.38 [7.8-9.6mm]

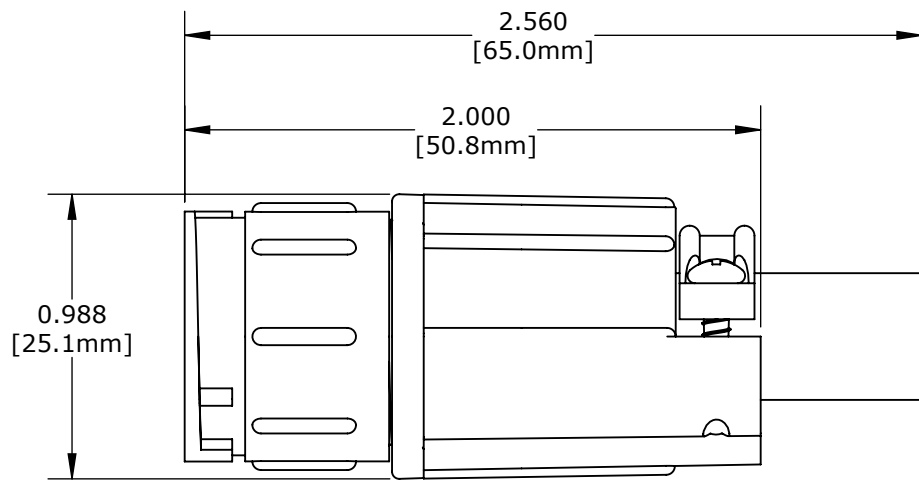
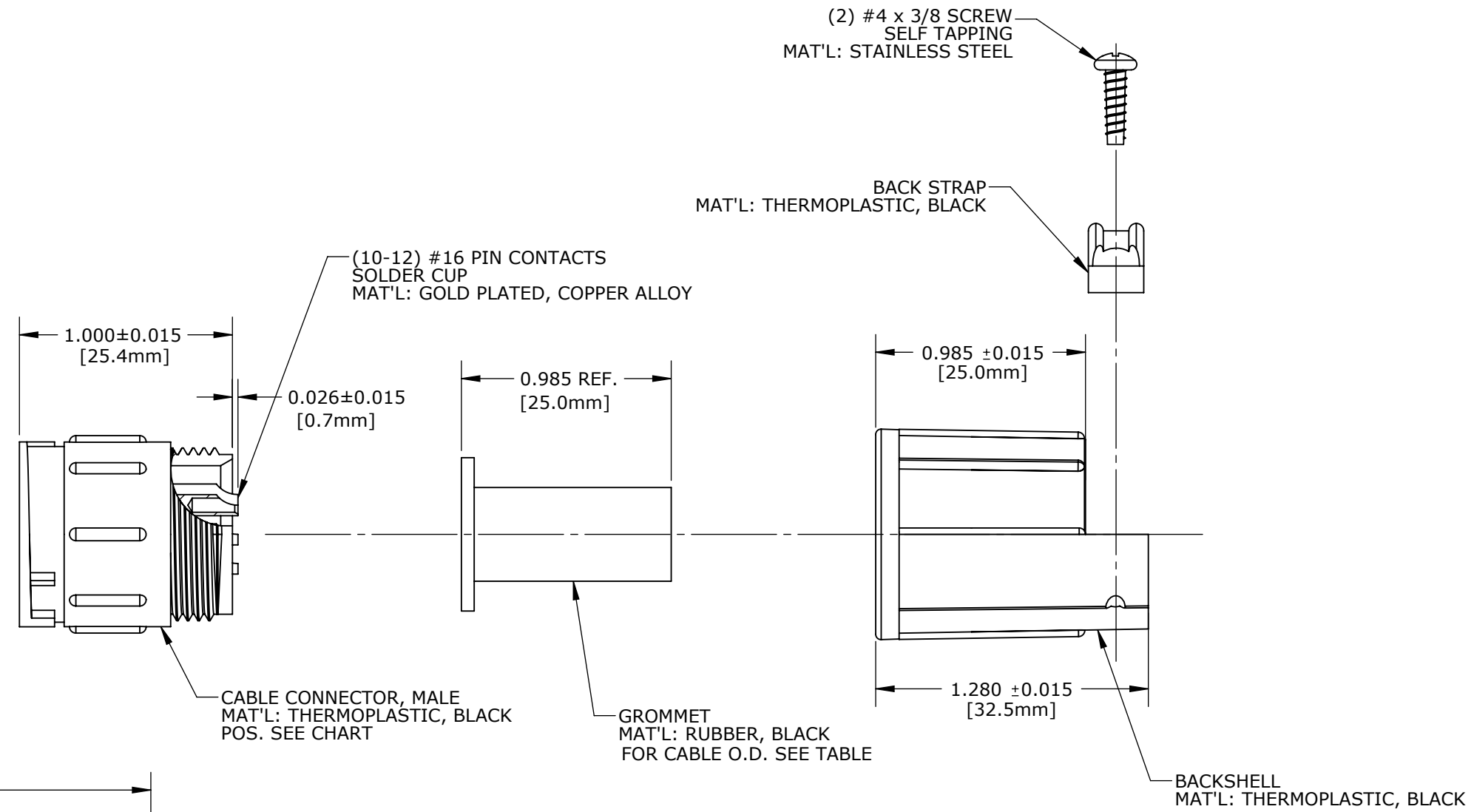
- NOTES:**
- ALL PARTS TO BE BULK PACKED.
 - CONTACT TO BE INSTALLED INTO CONNECTOR AND SOLDER CUP ARE FACING TO THE KEY.
 - SEE DRAWING HPMXSTD FOR HOLE PATTERN



MATING FACE
15382-10PG-3XX



MATING FACE
15382-12PG-3XX



SHOWN ASSEMBLED KIT
FOR CUSTOMER REFERENCE ONLY

DIMENSIONS IN BRACKETS [] ARE METRIC.

CUSTOMER APPROVAL

THIS DOCUMENT CONTAINS CONFIDENTIAL INFORMATION PROPRIETARY TO CONXALL CORPORATION. ANY REPRODUCTION, DISCLOSURE, OR USE OF THIS DOCUMENT /INFORMATION IS EXPRESSLY PROHIBITED UNLESS AUTHORIZED IN WRITING BY CONXALL CORPORATION.

CHECKED BY: _____
 APPROVED BY: _____
 DATE: _____

RoHS COMPLIANT

A	AN	03-17-16	DRAWING CREATED PER DOR 15-E253SL #6	
REV.	INIT.	DATE	DESCRIPTION	
	AN	03-10-16	ALL INFORMATION ILLUSTRATED IS THE PROPERTY OF "CONXALL CORPORATION." UNAUTHORIZED DUPLICATION OR DISTRIBUTION OF THIS DOCUMENT IS PROHIBITED. ALL UNITS ARE IN FEET, INCHES, FRACTION OF INCHES AND DECIMALS. - CRITICAL CHARACTERISTIC FLAG PER SPEC. XXXX	
APPROVED BY:			 601 E. WILDWOOD VILLA PARK, IL 60181	
TITLE:			IN-LINE CONNECTOR KIT (10-12) #16 PIN CONTACTS, SOLDER MAXI-CON-X	
CUSTOMER:			STANDARD PRODUCT	
SCALE	SIZE	SHEET	PART NUMBER: 15382-1XPG-3XX	
NTS	B	1 OF 1	REV A	
FILE:	DIRECTORY:			
15382-1XPG-3XX	SLW			

CUSTOMER PRINT

PART NUMBER: 15382-1XPG-3XX