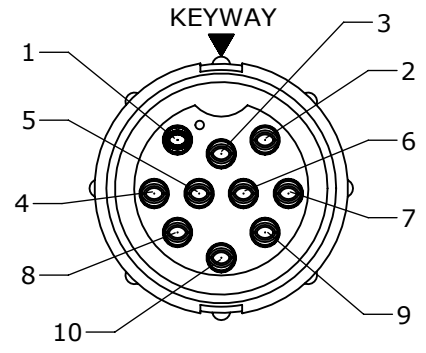
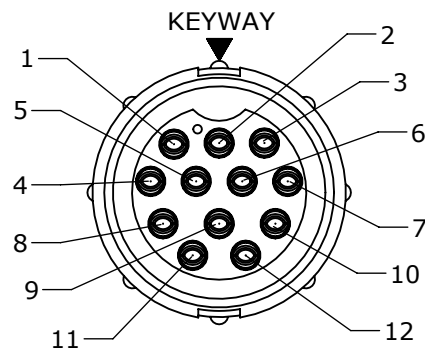


ASSY P/N	NO. OF POS.	CABLE O.D.
15382-10SG-321	10	0.21-0.25 [5.3-6.3mm]
15382-10SG-325		0.21-0.25 [5.3-6.3mm]
15382-10SG-326		0.26-0.30 [6.6-7.6mm]
15382-10SG-331		0.31-0.38 [7.8-9.6mm]
15382-12SG-321	12	0.21-0.25 [5.3-6.3mm]
15382-12SG-325		0.21-0.25 [5.3-6.3mm]
15382-12SG-326		0.26-0.30 [6.6-7.6mm]
15382-12SG-331		0.31-0.38 [7.8-9.6mm]

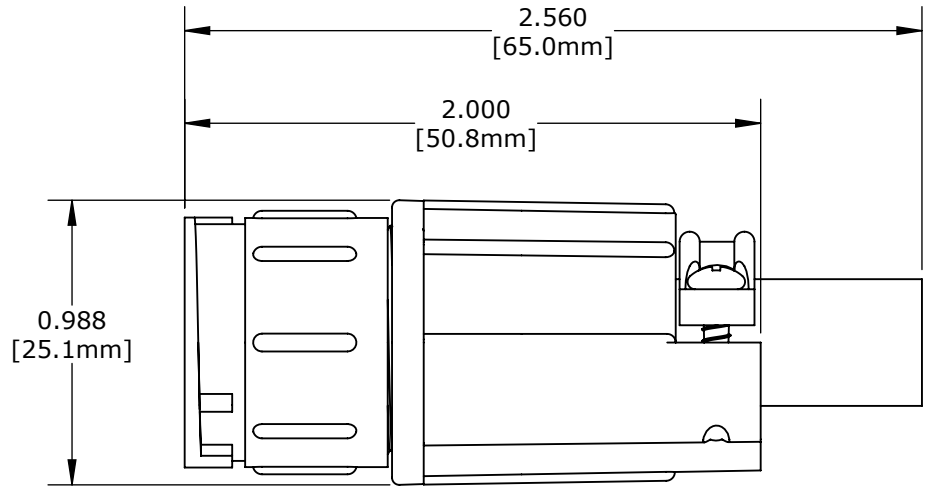
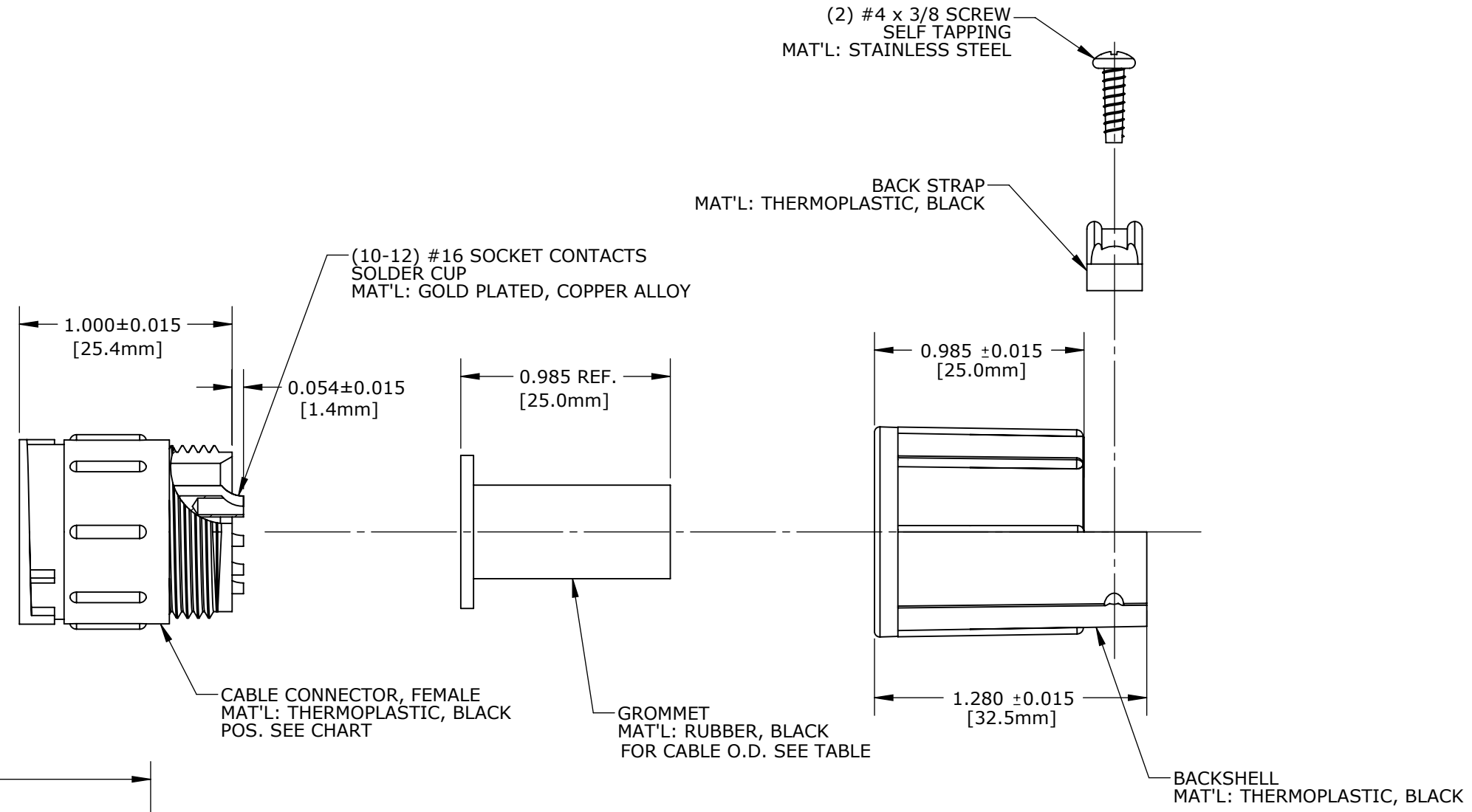
- NOTES:**
- ALL PARTS TO BE BULK PACKED.
 - CONTACT TO BE INSTALLED INTO CONNECTOR AND SOLDER CUP ARE FACING TO THE KEYWAY.
 - SEE DRAWING HPMXSTD FOR HOLE PATTERN



MATING FACE
15382-10SG-3XX



MATING FACE
15382-12SG-3XX



SHOWN ASSEMBLED KIT
FOR CUSTOMER REFERENCE ONLY


DIMENSIONS IN BRACKETS [] ARE METRIC.

CUSTOMER APPROVAL

THIS DOCUMENT CONTAINS CONFIDENTIAL INFORMATION PROPRIETARY TO CONXALL CORPORATION. ANY REPRODUCTION, DISCLOSURE, OR USE OF THIS DOCUMENT /INFORMATION IS EXPRESSLY PROHIBITED UNLESS AUTHORIZED IN WRITING BY CONXALL CORPORATION.

CHECKED BY: _____
APPROVED BY: _____
DATE: _____

RoHS COMPLIANT

A	AN	05-06-16	DRAWING CREATED PER DOR 15-E253SL #9	
REV.	INIT.	DATE	DESCRIPTION	
	AN	05-06-16	<small>ALL INFORMATION ILLUSTRATED IS THE PROPERTY OF CONXALL CORPORATION. UNAUTHORIZED DUPLICATION OR DISTRIBUTION OF THIS DOCUMENT IS PROHIBITED.</small>  601 E. WILDWOOD VILLA PARK, IL 60181	
<small>ALL UNITS ARE IN FEET, INCHES, FRACTION OF INCHES AND DECIMALS.</small>			APPROVED BY:	TITLE: IN-LINE CONNECTOR KIT (10-12) #16 SOCKET CONTACTS, SOLDER MAXI-CON-X
SCALE	SIZE	SHEET	CUSTOMER: STANDARD PRODUCT	
NTS	B	1 OF 1	PART NUMBER: 15382-1XSG-3XX	
FILE:	DIRECTORY:		REV	
15382-1XSG-3XX	SLW		A	

CUSTOMER PRINT

PART NUMBER: 15382-1XSG-3XX