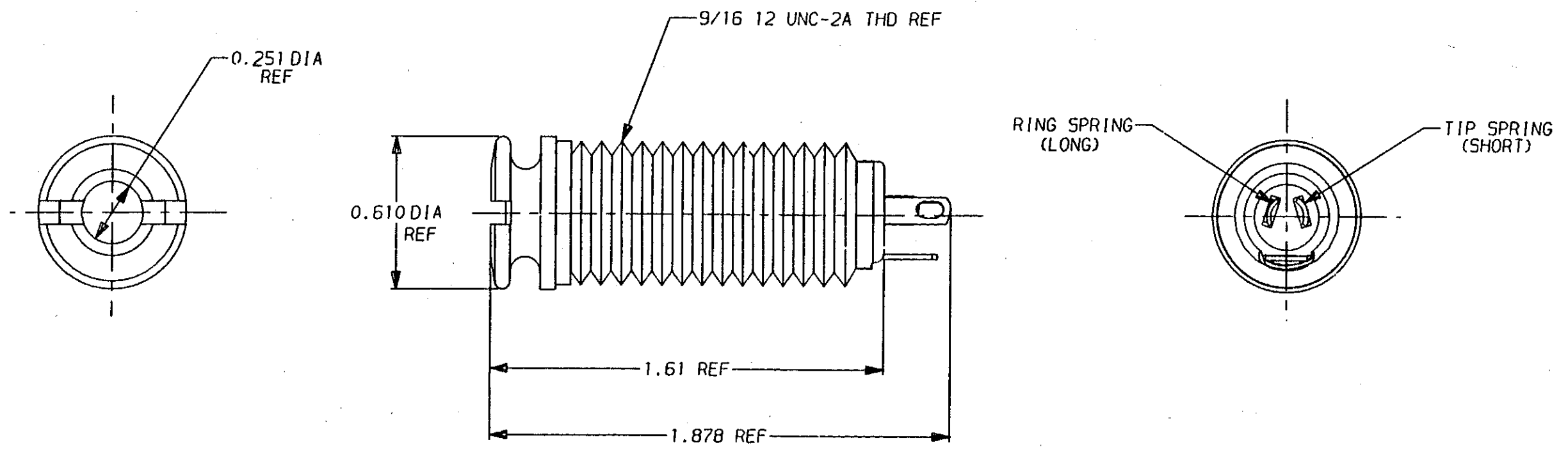


SPECIFICATIONS

BODY: BRASS, ENTEK CU-55 ANTI-TARNISH TREATMENT  
 INSERT: NYLON  
 TERMINAL: CRS, ELECTRO-TIN PLATING  
 INSULATING WASHER: XXXP PAPER BASE PHENOLIC  
 SPRINGS: NICKEL SILVER, GOLD PLATED  
 GROUND CLIP: PHOSPHER BRONZE SPRING TEMP.



NOTE:

1. SHIPPED WITH HARDWARE UNASSEMBLED.

CUSTOMER DRAWING

SHEET 1 OF 1

					★ STAR SYMBOL DENOTES CRITICAL DIMENSION, SEE S/C ENGINEERING STANDARD ES-0001		THIS DRAWING DESCRIBES A DESIGN CONSIDERED PROPRIETARY IN NATURE, DEVELOPED AND MANUFACTURED BY SWITCHCRAFT INC. AND IS RELEASED ON A CONFIDENTIAL BASIS FOR IDENTIFICATION PURPOSE ONLY.								
					UNLESS OTHERWISE SPECIFIED					SIZE	WIDTH	WGT	LBS./IN	TEMPER	
					1. ALL DIMENSIONS IN INCHES TWO PLACE DECIMAL ±.01 THREE PLACE DECIMAL ±.005 FRACTIONAL DIMENSIONS ±1/64 ANGLES ±1/2° ALL DIA'S CONCENTRIC WITHIN .005 T.I.R. 2. REMOVE ALL BURRS 3. MAKE NO DIMENSIONAL ALLOWANCES FOR APPLIED FINISHES, I.E., PLATING, PAINTING, ETC. 4. HOLES ON THE SAME CENTERLINE MUST BE ALIGNED WITHIN ±.002					FINISH		MATERIAL			
										SPEC. NO.		SPEC. NO.			
										FIRST USED ON		SCALE NONE			
					DATE DRAWN 12-11-97		BY RC		CHK'D E/m		APP'D E.B. 12-15-97		Switchcraft®		
										NAME THICK PANEL JAX		PART NO. 156			
A 22054 12-11-97 RC					REVISIONS					DO NOT SCALE DRAWING					