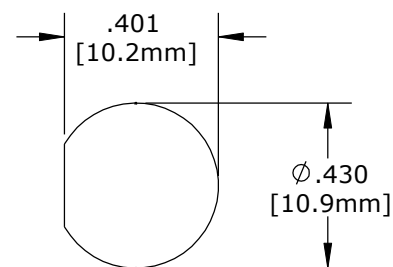
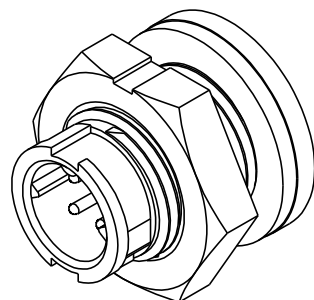
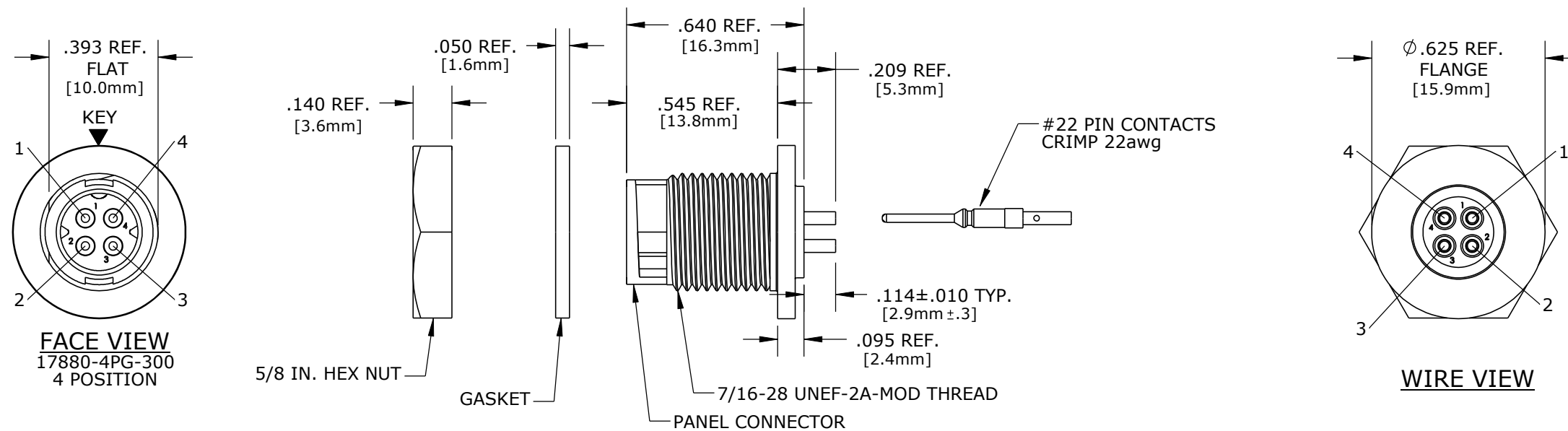


NOTES:
1. PARTS ARE TO BE BULK PACKED.



RECOMMENDED
PANEL CUT-OUT
TOLERANCE: ±.003

CUSTOMER APPROVAL

THIS DOCUMENT CONTAINS CONFIDENTIAL INFORMATION PROPRIETARY TO CONXALL CORPORATION. ANY REPRODUCTION, DISCLOSURE, OR USE OF THIS DOCUMENT /INFORMATION IS EXPRESSLY PROHIBITED UNLESS AUTHORIZED IN WRITING BY CONXALL CORPORATION.

APPROVED BY: _____
DATE: _____

		07/28/10	CHANGED CONTACT CRIMP BARREL FROM 20AWG TO 22AWG
		03/31/10	CHANGED CONTACT CRIMP BARREL FROM 18AWG TO 20AWG
		02/12/10	DRAWING CREATED PER DOR 06-E168CS;
REV.	INIT.	DATE	DESCRIPTION
A	PAK		
ALL INFORMATION ILLUSTRATED IS THE PROPERTY OF CONXALL CORPORATION. UNAUTHORIZED DUPLICATION OR DISTRIBUTION OF THIS DOCUMENT IS PROHIBITED.		ORIG. DRAWN BY: PAK	DATE: 02/12/10
UNLESS OTHERWISE SPECIFIED TOLERANCES: 3 PLACE DECIMALS ±.005 ANGLES ±1° FRACTIONS ±1/16		CHECKED BY:	 601 E. WILDWOOD VILLA PARK, IL 60181
ALL UNITS ARE IN FEET, INCHES, FRACTION OF INCHES AND DECIMALS.		APPROVED BY:	
SCALE	SIZE	SHEET	TITLE: PANEL CONNECTOR ASSEMBLY (4) #22 PIN CONTACTS, 20-24 CRIMP MICRO-CON-X
NTS	B	1 OF 1	CUSTOMER: STANDARD PRODUCT
FILE: 17880-4PG-300	DIRECTORY: SLW	PART NUMBER: 17880-4PG-300	REV A