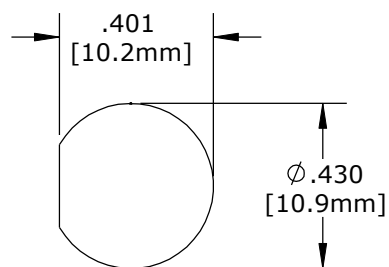
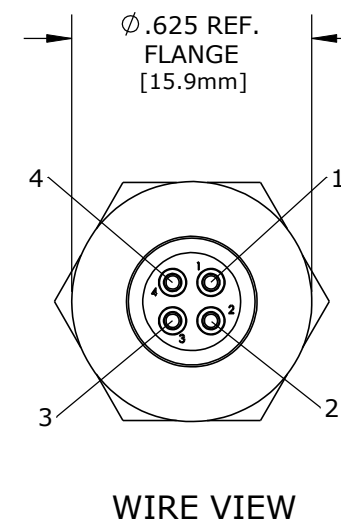
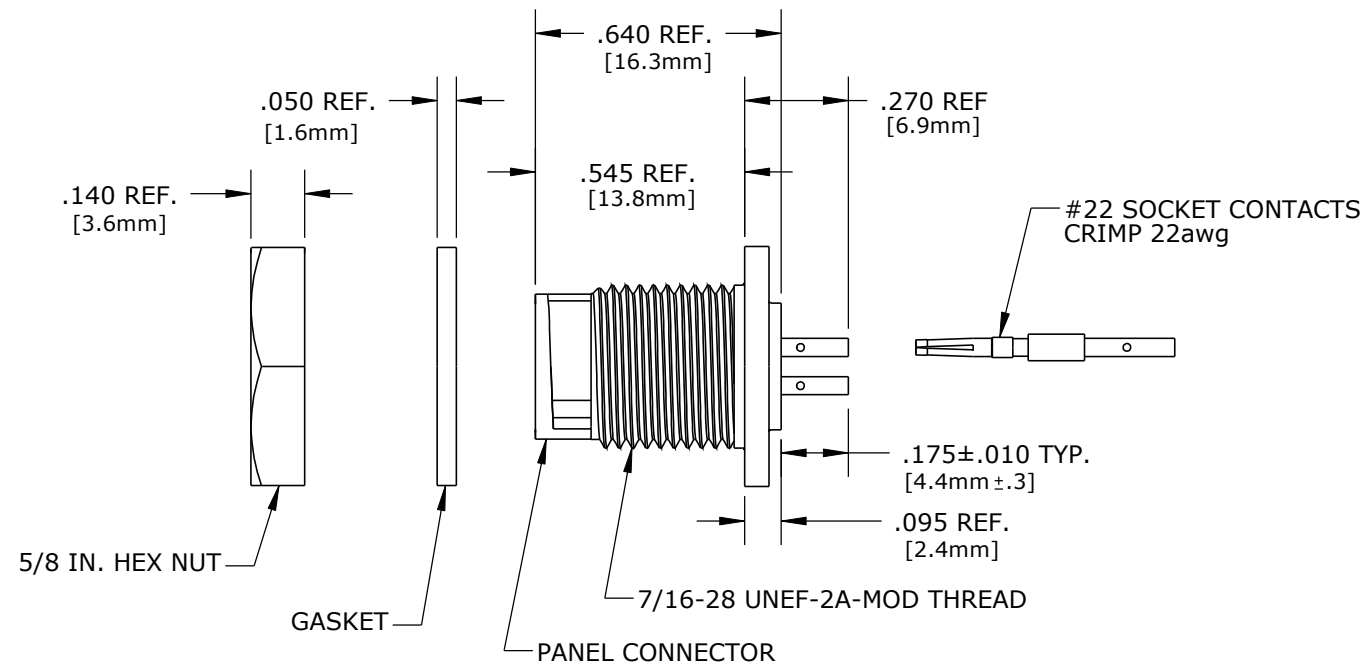
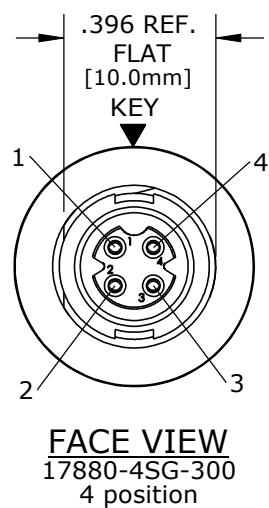
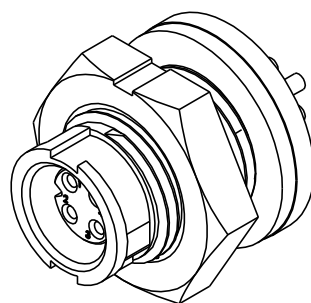


NOTES:
1. PARTS ARE TO BE BULK PACKED.



RECOMMENDED
PANEL CUT-OUT
TOLERANCE: ±.003



CUSTOMER APPROVAL

THIS DOCUMENT CONTAINS CONFIDENTIAL INFORMATION PROPRIETARY TO CONXALL CORPORATION. ANY REPRODUCTION, DISCLOSURE, OR USE OF THIS DOCUMENT /INFORMATION IS EXPRESSLY PROHIBITED UNLESS AUTHORIZED IN WRITING BY CONXALL CORPORATION.

APPROVED BY: _____
DATE: _____

REV.	INIT.	DATE	DESCRIPTION
A	PAK	07/28/10	CHANGED CONTACT CRIMP BARREL FROM 20AWG TO 22AWG
		02/12/10	DRAWING CREATED PER DOR 06-E168CS;
ALL INFORMATION ILLUSTRATED IS THE PROPERTY OF CONXALL CORPORATION. UNAUTHORIZED DUPLICATION OR DISTRIBUTION OF THIS DOCUMENT IS PROHIBITED.			601 E. WILDWOOD VILLA PARK, IL 60181
UNLESS OTHERWISE SPECIFIED TOLERANCES: 3 PLACE DECIMALS ±.005 ANGLES ±1° FRACTIONS ±1/16 ▽ = CRITICAL CHARACTERISTIC FLAG PER SPEC. XXXX			
APPROVED BY:		DATE:	TITLE: PANEL CONNECTOR ASSEMBLY (4) #22 SOCKET CONTACTS, 20-24 AWG CRIMP MICRO-CON-X
SCALE	SIZE	SHEET	CUSTOMER: STANDARD PRODUCT
NTS	B	1 OF 1	
FILE:	DIRECTORY:	PART NUMBER:	REV
17880-4SG-300	SLW	17880-4SG-300	A