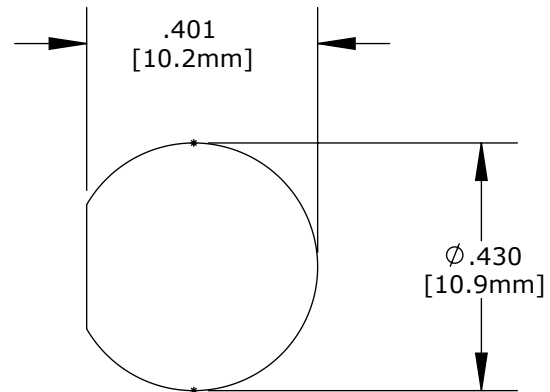
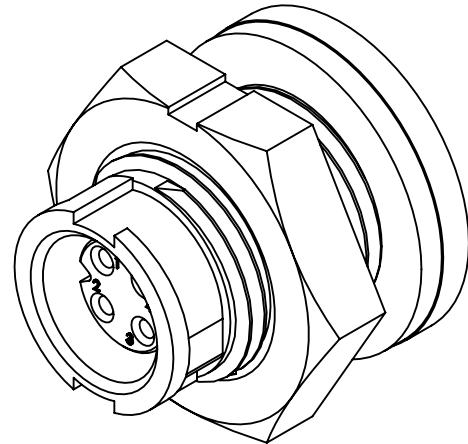
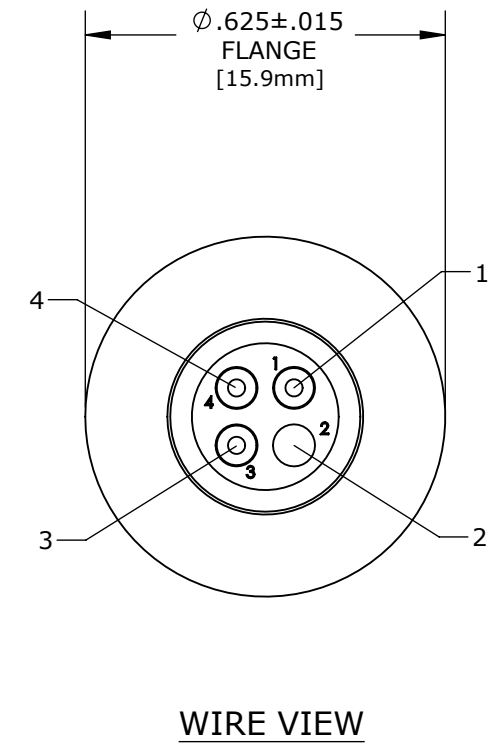
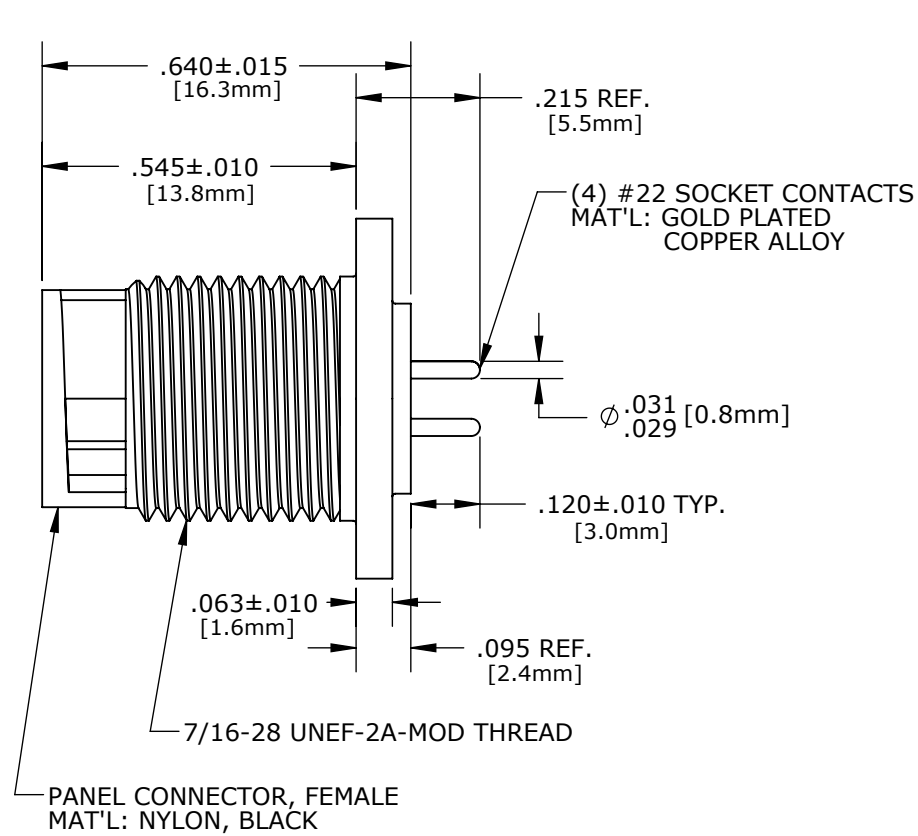
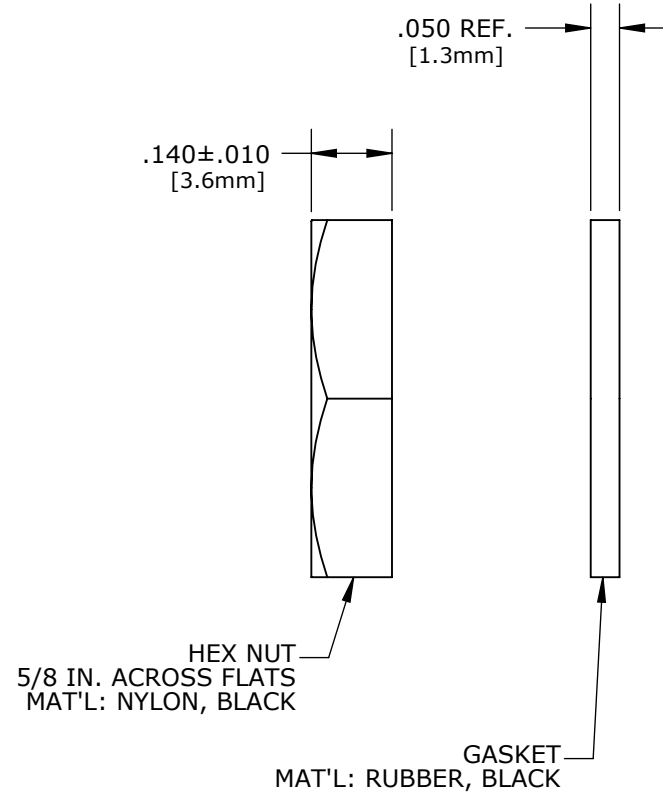
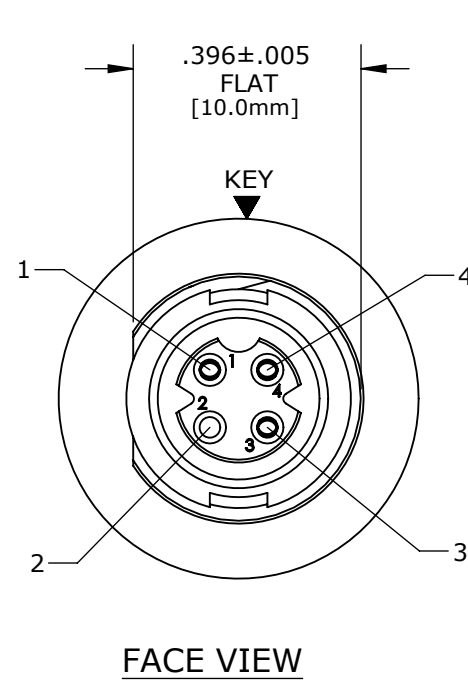


NOTES:

1. PANEL CONNECTORS TO BE PACKED IN PARTITION BOX, 200 PC PER BOX
HEX NUT AND GASKET TO BE BULK PACKED IN A SEPARATE BAG FROM
PANEL ASSEMBLY PACKAGE.
2. CONTACTS ARE ASSEMBLED INTO PANEL CONNECTOR.
3. SEE DRAWING HPMCSTD FOR HOLE PATTERN.

CUSTOMER PRINT



**RECOMMENDED
PANEL CUT-OUT
TOLERANCE: ±.003**

DIMENSIONS IN BRACKET [] ARE METRIC.


CUSTOMER APPROVAL

THIS DOCUMENT CONTAINS CONFIDENTIAL INFORMATION PROPRIETARY TO CONXALL CORPORATION. ANY REPRODUCTION, DISCLOSURE, OR USE OF THIS DOCUMENT /INFORMATION IS EXPRESSLY PROHIBITED UNLESS AUTHORIZED IN WRITING BY CONXALL CORPORATION.

APPROVED BY: _____

DATE: _____

RoHS COMPLIANT

A	AN	10-12-11	DRAWING CREATED PER DOR 11-E149SL
REV.	INIT.	DATE	DESCRIPTION
	PAK	07/19/11	ORIG. DRAWN BY: DATE: PAK 07/19/11
ALL INFORMATION ILLUSTRATED IS THE PROPERTY OF CONXALL CORPORATION. UNAUTHORIZED DUPLICATION OR DISTRIBUTION OF THIS DOCUMENT IS PROHIBITED.			 601 E. WILDWOOD VILLA PARK, IL 60181
ALL UNITS ARE IN FEET, INCHES, FRACTION OF INCHES AND DECIMALS. UNLESS OTHERWISE SPECIFIED TOLERANCES: 3 PLACE DECIMALS ±.010 ANGLES ±1° FRACTIONS ±1/16			
APPROVED BY: _____			TITLE: PANEL CONNECTOR ASSEMBLY (4) #22 SOCKET CONTACTS, PC TAIL MICRO-CON-X
SCALE	SIZE	SHEET	CUSTOMER: STANDARD PRODUCT
NTS	B	1 OF 1	
FILE:	DIRECTORY:	PART NUMBER:	REV
17883-4SG-300	SLW	17883-4SG-300	A

PART NUMBER: 17883-4SG-300