

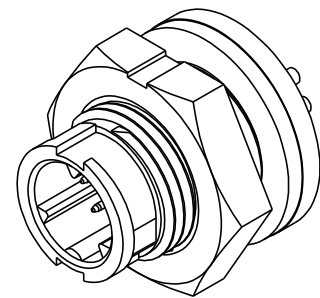
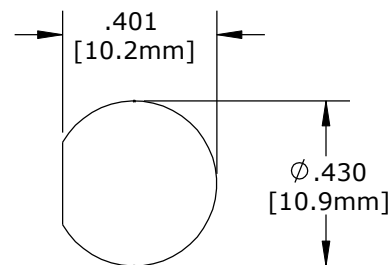
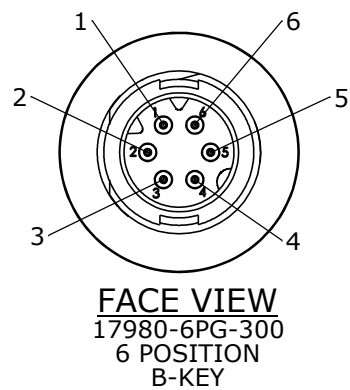
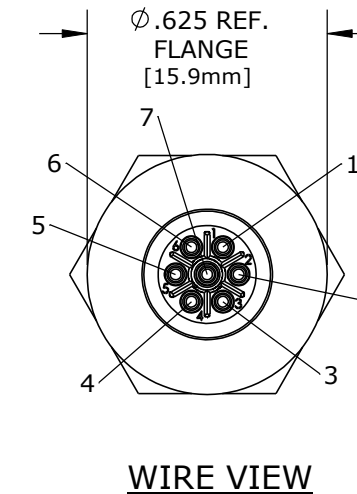
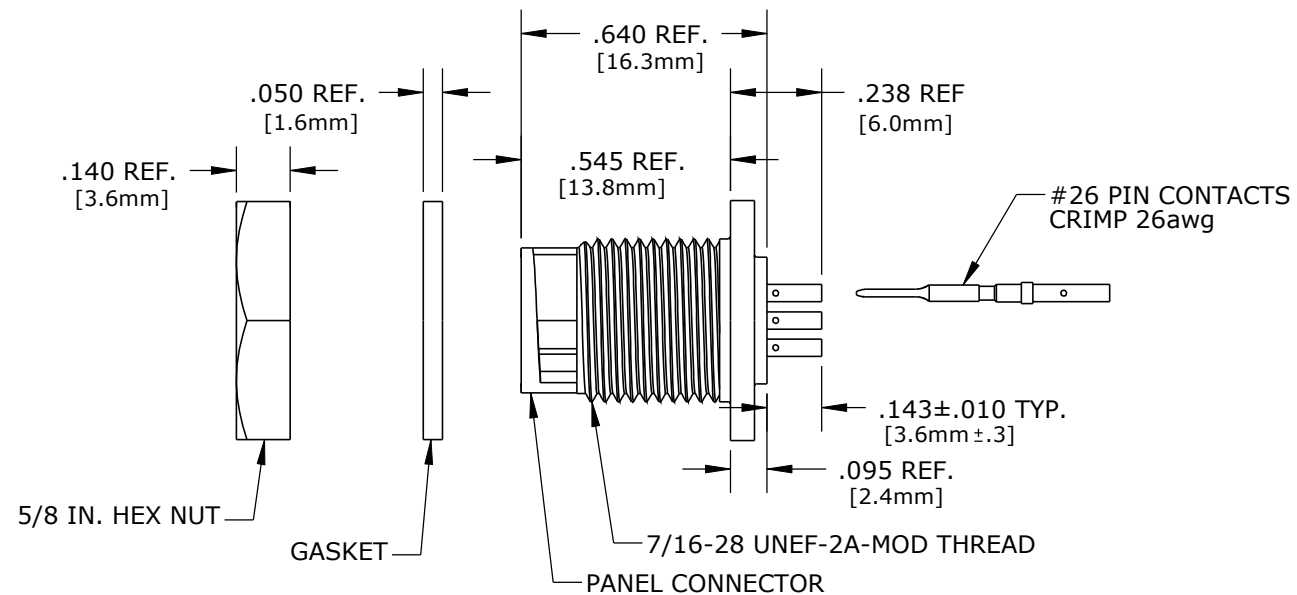
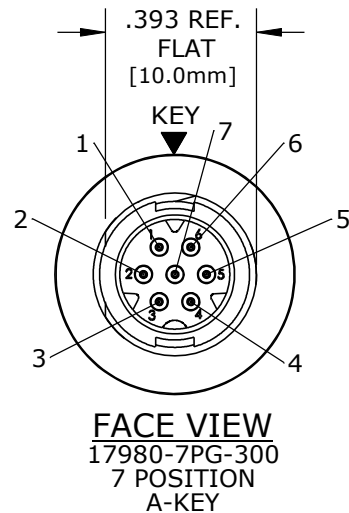
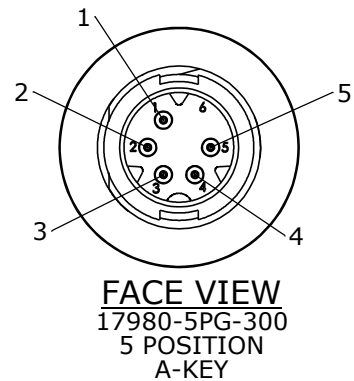
CUSTOMER PRINT

PART NUMBER: 17980-XPG-300

NOTES:
1. PARTS ARE TO BE BULK PACKED.

ASS'Y P/N	CONTACT QTY.	KEY STYLE
17980-5PG-300	5 - #26	A-KEY
17980-6PG-300	6 - #26	B-KEY
17980-7PG-300	7 - #26	A-KEY

NUMBER OF CONTACTS



CUSTOMER APPROVAL

THIS DOCUMENT CONTAINS CONFIDENTIAL INFORMATION PROPRIETARY TO CONXALL CORPORATION. ANY REPRODUCTION, DISCLOSURE, OR USE OF THIS DOCUMENT /INFORMATION IS EXPRESSLY PROHIBITED UNLESS AUTHORIZED IN WRITING BY CONXALL CORPORATION.

APPROVED BY: _____

DATE: _____

A	PAK	07/28/10	DRAWING CREATED PER DOR 09-E168CS; ADDED 5-POS. ASSY.	
REV.	INIT.	DATE	DESCRIPTION	
	PAK	08/24/09	ORIG. DRAWN BY: DATE: PAK 08/24/09	
ALL INFORMATION ILLUSTRATED IS THE PROPERTY OF CONXALL CORPORATION. UNAUTHORIZED DUPLICATION OR DISTRIBUTION OF THIS DOCUMENT IS PROHIBITED.			<p>601 E. WILDWOOD VILLA PARK, IL 60181</p>	
UNLESS OTHERWISE SPECIFIED TOLERANCES: 3 PLACE DECIMALS ±.005 ANGLES 5/16 FRACTIONS ±1/16				
APPROVED BY:			TITLE: PANEL CONNECTOR ASSEMBLY #26 PIN CONTACTS, CRIMP MICRO-CON-X, A-KEY & B-KEY STANDARD PRODUCT	
SCALE	SIZE	SHEET	CUSTOMER:	
NTS	B	1 OF 1	PART NUMBER: 17980-XPG-300	
FILE:	DIRECTORY:	PART NUMBER:	REV	
17980-XPG-300	SLW	17980-XPG-300	A	