

CUSTOMER PRINT

PART NUMBER: 17984-XSG-300

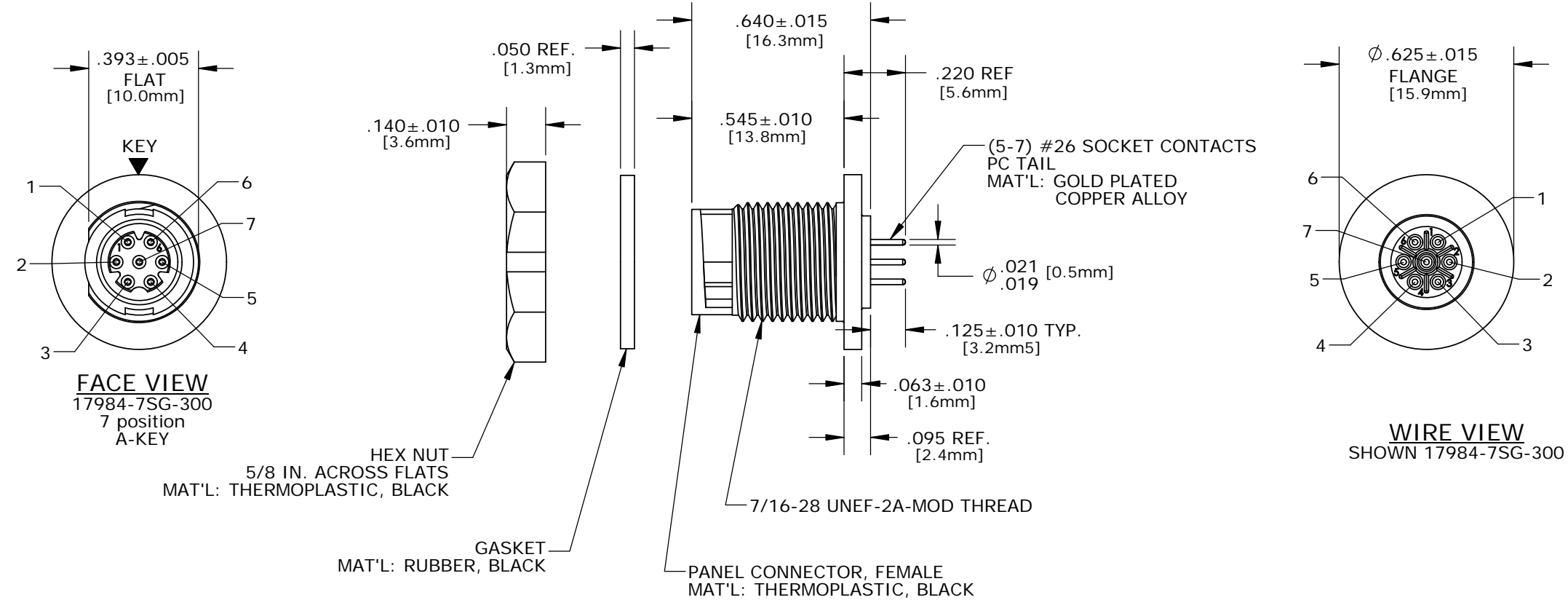
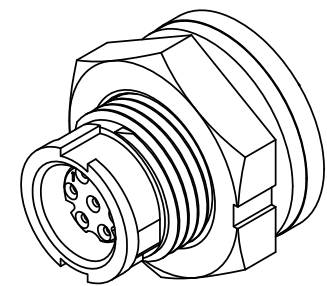
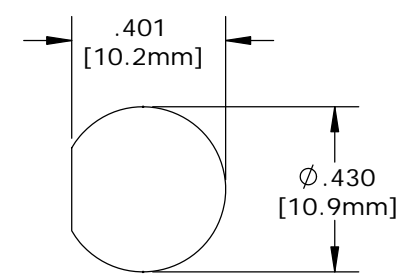
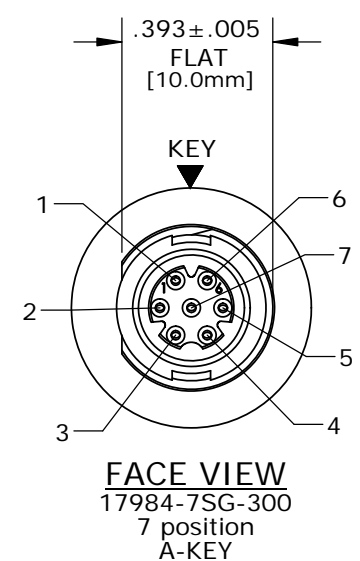
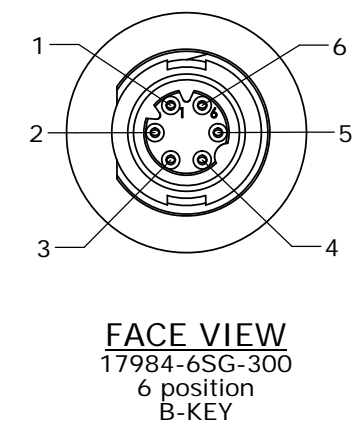
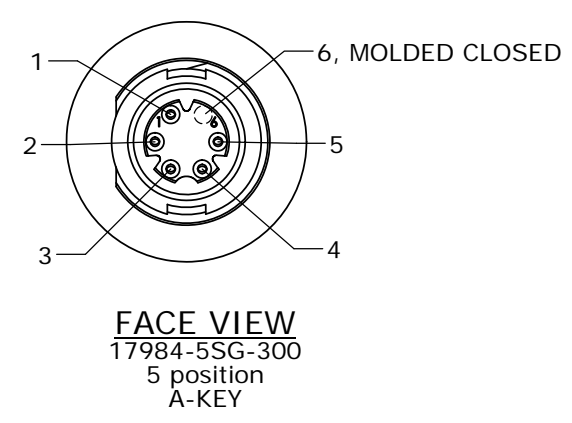
ASS'Y P/N	CONTACT QTY.	KEY STYLE
17984-5SG-300	5 - #26	A-KEY
17984-6SG-300	6 - #26	B-KEY
17984-7SG-300	7 - #26	A-KEY

NUMBER OF CONTACTS

NOTES:
 1. PANEL CONNECTORS TO BE PACKED IN PARTITION BOX, 100 PC PER BOX
 HEX NUT AND GASKET TO BE BULK PACKED IN A SEPARATE BAG FROM
 PANEL ASSEMBLY PACKAGE.
 a) BOX LABEL WITH CXA PART NUMBER, QUANTITY, LOT # AND DATE CODE
 ON LABEL AS SHOWN AND PLACE ONTO THE TOP BOX.

P/N: 17984-XSG-300
 CONXALL
 QTY.:
 Lot:
 Date Code:

2. CONTACTS ARE ASSEMBLED INTO PANEL CONNECTOR.
 3. SEE DRAWING HPMCSTD FOR HOLE PATTERN.



CUSTOMER APPROVAL

THIS DOCUMENT CONTAINS CONFIDENTIAL INFORMATION PROPRIETARY TO CONXALL CORPORATION. ANY REPRODUCTION, DISCLOSURE, OR USE OF THIS DOCUMENT /INFORMATION IS EXPRESSLY PROHIBITED UNLESS AUTHORIZED IN WRITING BY CONXALL CORPORATION.

APPROVED BY: _____
 DATE: _____

DIMENSIONS IN BRACKET [] ARE METRIC.

RoHS COMPLIANT

REV.	INIT.	DATE	DESCRIPTION
C	MA	05/19/17	100 PIECES WAS 200 PIECES PER ECR 8942
B	AN	01-10-13	ADDED NOTE 1a AND BOX LABEL PER ECR 8095
A	AN	11-07-11	DRAWING CREATED PER DOR 11-E149SL #34 AND #38

ALL INFORMATION ILLUSTRATED IS THE PROPERTY OF CONXALL CORPORATION. UNAUTHORIZED DUPLICATION OR DISTRIBUTION OF THIS DOCUMENT IS PROHIBITED.	ORIG. DRAWN BY: PAK DATE: 07/19/11	
ALL UNITS ARE IN FEET, INCHES, FRACTION OF INCHES AND DECIMALS.	CHECKED BY:	
APPROVED BY:	SCALE: NTS SIZE: B SHEET: 1 OF 1	TITLE: PANEL CONNECTOR ASSEMBLY #26 SOCKET CONTACTS, PC TAIL MICRO-CON-X, A-KEY & B-KEY STANDARD PRODUCT
FILE: 17984-XSG-300	DIRECTORY: SLW	CUSTOMER: 17984-XSG-300