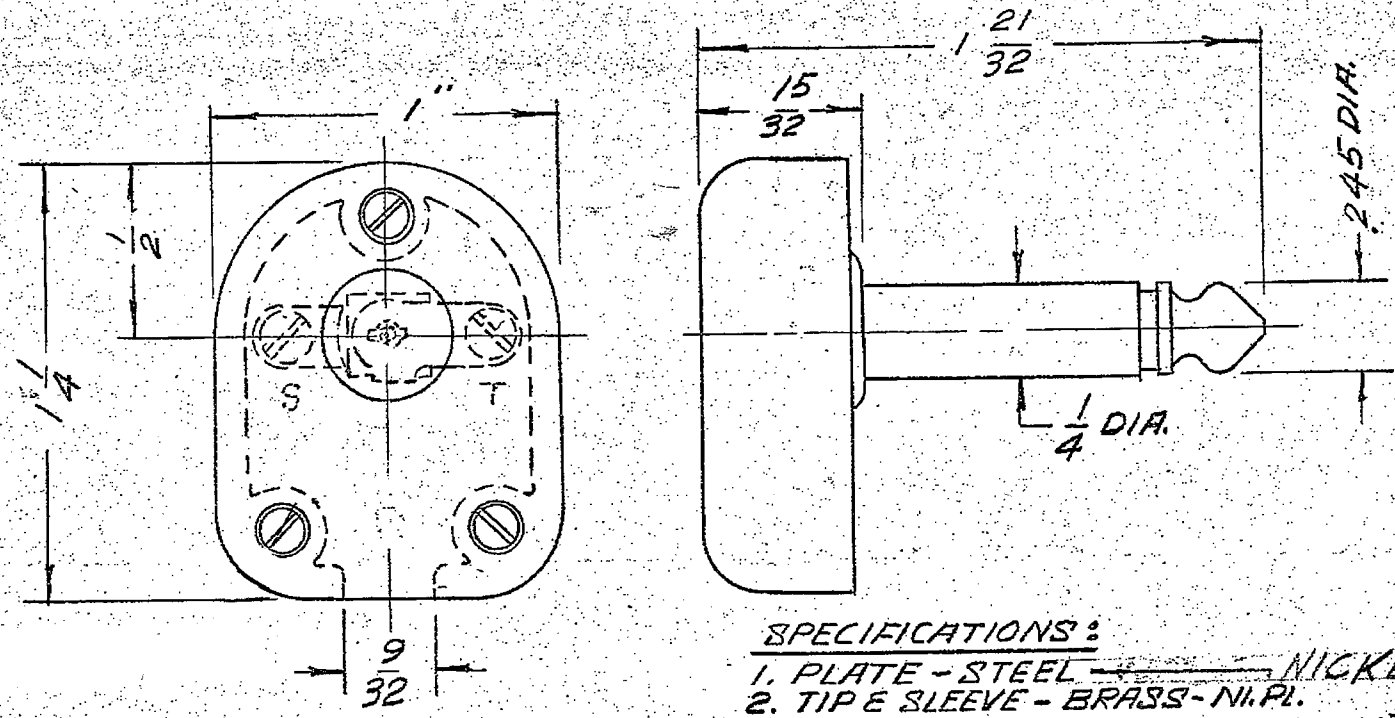


225



- SPECIFICATIONS:**
1. PLATE - STEEL ~~STEEL~~ NICKEL PLATE
  2. TIP & SLEEVE - BRASS - NI. PL.
  3. INSULATOR - PHENOLIC, POLYESTER (C)
  4. HANDLE - RED
  5. TERMINALS - TIN PL.

CUSTOMER DRAWING

REV	DATE	BY	REVISION
1	6-2-64	VL	REDESIGN
2	7-10-64	RB	ADDED ITEM 5 TO SPEC. ECO # 1518
A	7-18-64	LG	ECO # 14853
B			ECO # 15683
C			ECO # 18370
D			ECO # 19660
E			ECO # 20559
F			ECO # 20627

THIS DRAWING DESCRIBES A DESIGN CONSIDERED PROPRIETARY IN NATURE, DEVELOPED AND MANUFACTURED BY SWITCHCRAFT, INC., AND IS RELEASED ON A CONFIDENTIAL BASIS FOR IDENTIFICATION PURPOSE ONLY.

UNLESS OTHERWISE SPECIFIED:

1 - DECIMAL DIMENSIONS ± .005	DRAWN BY	DATE	FINISH
2 - FRACTIONAL DIMENSIONS ± 1/64	VL	6-2-64	
3 - ANGLES ± 1/2°	CHECKED BY	DATE	PER FINISH SPEC. NO.
4 - ALL DIA'S CONCENTRIC WITHIN .005 T.I.R.	RB	7-10-64	MATERIAL
5 - ALL DIMENSIONS IN INCHES	APPROVED BY	DATE	PER MAT. SPEC. NO.
6 - FOR THREADS USE UNIFIED PLUG AND RING GAGES ONLY.	LG	7-18-64	
7 - REMOVE ALL BURRS.	SCALE		
8 - PART TO BE FABRICATED AS SPECIFIED. MAKE NO DIMENSIONAL ALLOWANCES FOR APPLIED FINISHES, I.E., PLATING, PAINTING, ETC.	FIRST USED ON		
9 - HOLES ON SAME CENTERLINE MUST BE ALIGNED WITHIN ± .002			

DO NOT SCALE DRAWING

NAME	PART NO.	ISSUE
FLAT PLUG	225	F
ZCOND. SCREW TERM	SHEET	OF