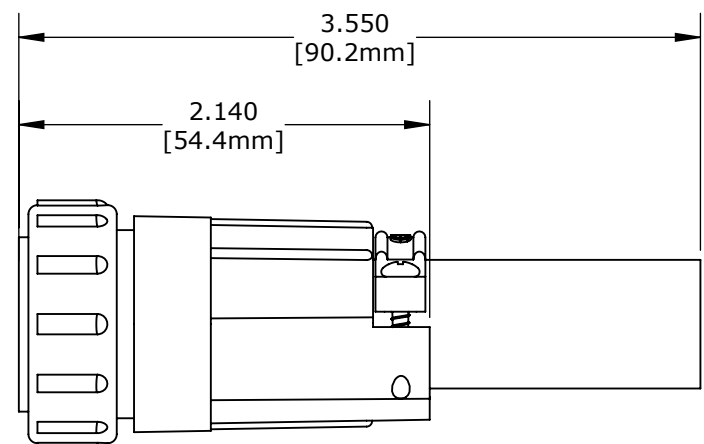
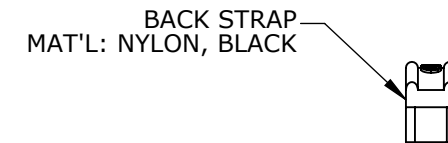
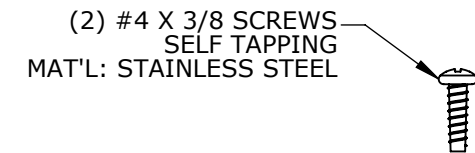
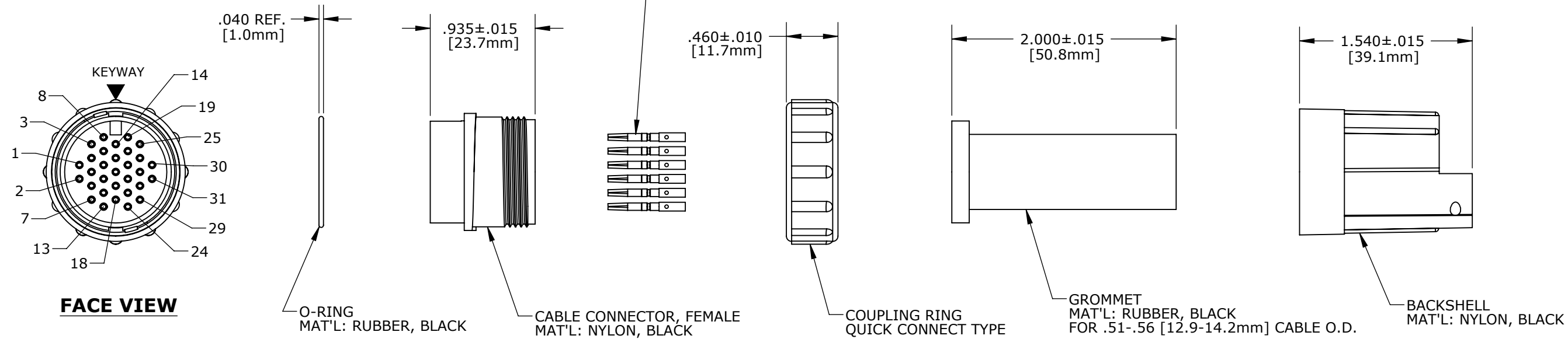


NOTES:  
 I. PARTS TO BE BULK PACKED.



**SHOWN ASSEMBLED KIT**  
 FOR CUSTOMER REFERENCE ONLY

**CUSTOMER APPROVAL**

THIS DOCUMENT CONTAINS CONFIDENTIAL INFORMATION PROPRIETARY TO CONXALL CORPORATION. ANY REPRODUCTION, DISCLOSURE, OR USE OF THIS DOCUMENT /INFORMATION IS EXPRESSLY PROHIBITED UNLESS AUTHORIZED IN WRITING BY CONXALL CORPORATION.

APPROVED BY: \_\_\_\_\_  
 DATE: \_\_\_\_\_

**RoHS COMPLIANT**

DIMENSIONS IN BRACKETS [ ] ARE METRIC

A	AN	11-08-11	DRAWING CREATED PER DOR 11-E149SL
REV.	INIT.	DATE	DESCRIPTION
	AN	11-08-11	
<small>ALL INFORMATION ILLUSTRATED IS THE PROPERTY OF CONXALL CORPORATION. UNAUTHORIZED DUPLICATION OR DISTRIBUTION OF THIS DOCUMENT IS PROHIBITED.</small>			<p>601 E. WILDWOOD VILLA PARK, IL 60181</p>
<small>ALL UNITS ARE IN FEET, INCHES, FRACTION OF INCHES AND DECIMALS. UNLESS OTHERWISE SPECIFIED TOLERANCES: 3 PLACE DECIMALS ±.010 ANGLES ±1° FRACTIONS ±1/16 - CRITICAL CHARACTERISTIC FLAG PER SPEC. XXXX</small>			
APPROVED BY:		DATE:	TITLE:
			CONNECTOR KIT
			(31) #20 SOCKET CONTACTS
			MEGA-CON-X, QUICK CONN. TYPE
			CUSTOMER: STANDARD PRODUCT
SCALE	SIZE	SHEET	PART NUMBER:
NTS	B	1 OF 1	23280-31SG-350
FILE:	DIRECTORY:		REV
23280-31SG-350	SLW		A