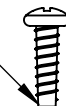



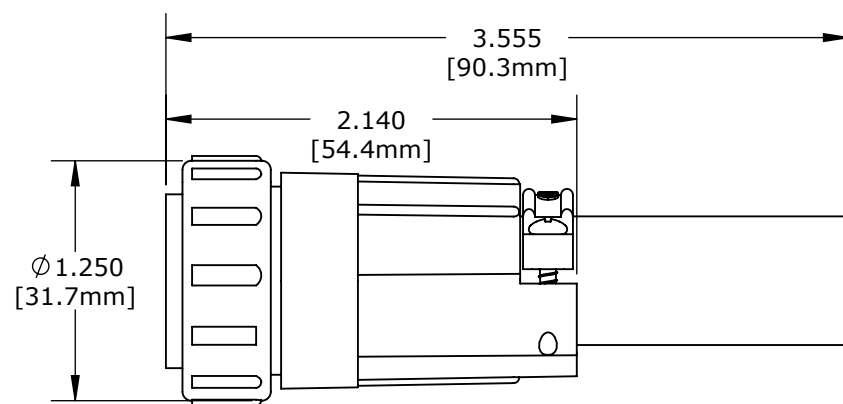
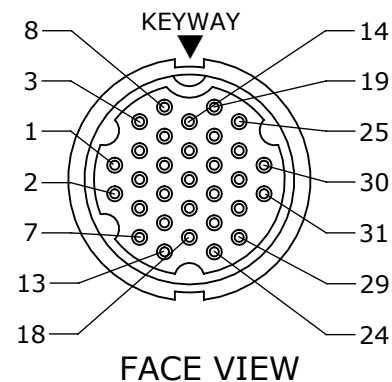
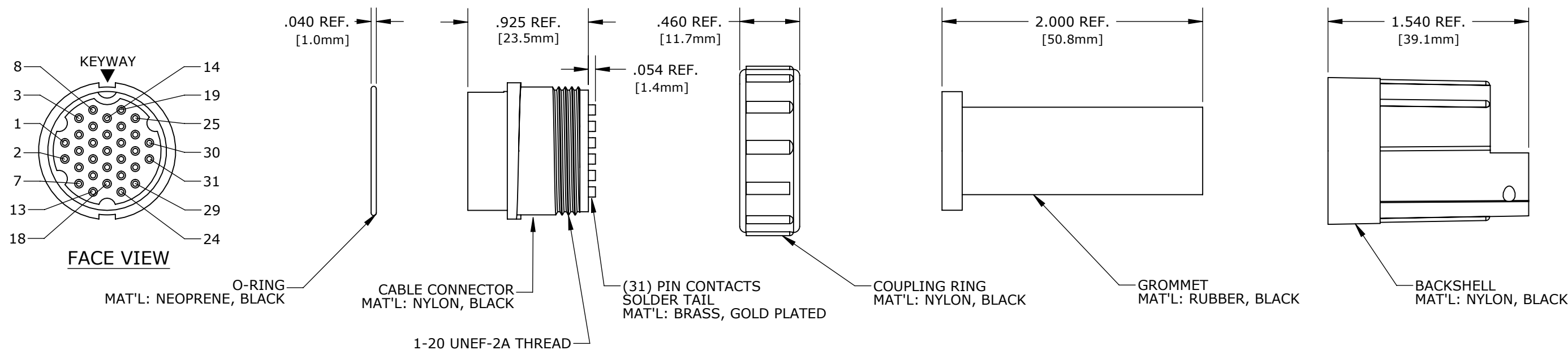
NOTES:

1. ALL PARTS TO BE BULK PACKED.
2. CONTACTS TO BE INSERTED IN CONNECTOR
3. ALL DIMENSION ARE REFERENCE ONLY UNLESS OTHERWISE NOTED.

(2)-#4 x 3/8 SCREW
SELF TAPPING
MAT'L: STAINLESS STEEL



STRAP BACKSHELL
MAT'L: NYLON, BLACK


DIMENSIONS IN BRACKET [] ARE METRIC.

CUSTOMER APPROVAL

THIS DOCUMENT CONTAINS CONFIDENTIAL INFORMATION PROPRIETARY TO CONXALL CORPORATION. ANY REPRODUCTION, DISCLOSURE, OR USE OF THIS DOCUMENT /INFORMATION IS EXPRESSLY PROHIBITED UNLESS AUTHORIZED IN WRITING BY CONXALL CORPORATION.

APPROVED BY: _____

DATE: _____

A	PD	07-11-12	DRAWING CREATED PER DOR 12-E149SL #18		
REV.	INIT.	DATE	DESCRIPTION		
	PD	07-11-12	ORIG. DRAWN BY: PD DATE: 07-11-12 CHECKED BY: APPROVED BY:		
ALL INFORMATION ILLUSTRATED IS THE PROPERTY OF "CONXALL CORPORATION." UNAUTHORIZED DUPLICATION OR DISTRIBUTION OF THIS DOCUMENT IS PROHIBITED.			 601 E. WILDWOOD VILLA PARK, IL 60181		
ALL UNITS ARE IN FEET, INCHES, FRACTION OF INCHES AND DECIMALS.					
SCALE	SIZE	SHEET	FILE:	DIRECTORY:	PART NUMBER:
NTS	B	1 OF 1	23282-31PG-350	SLW	23282-31PG-350
- CRITICAL CHARACTERISTIC FLAG PER SPEC. XXXX					REV A