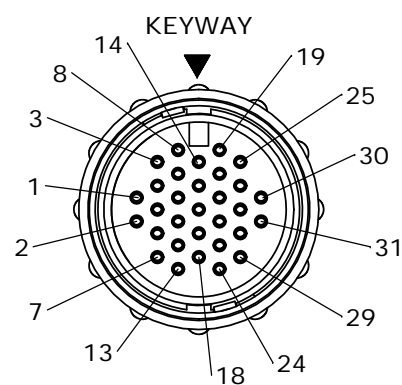
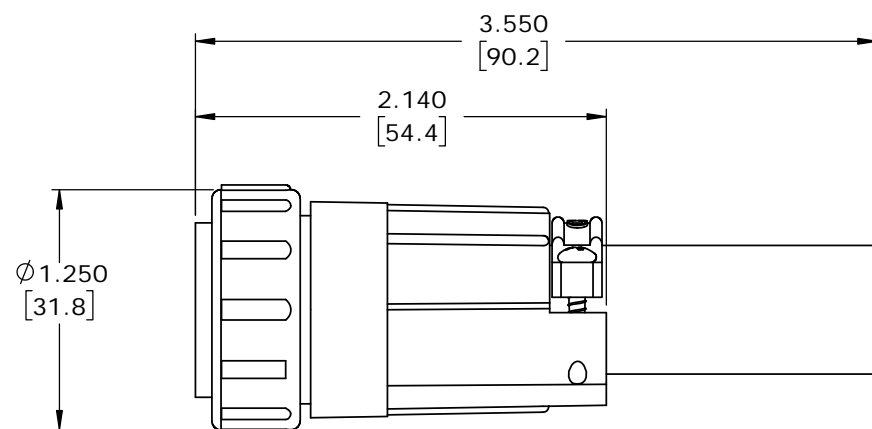
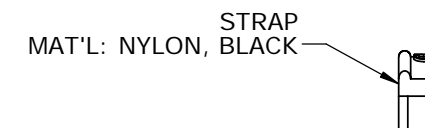
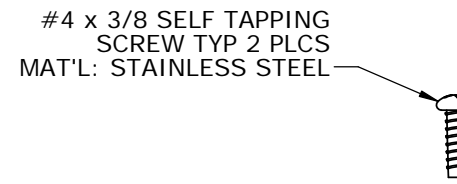
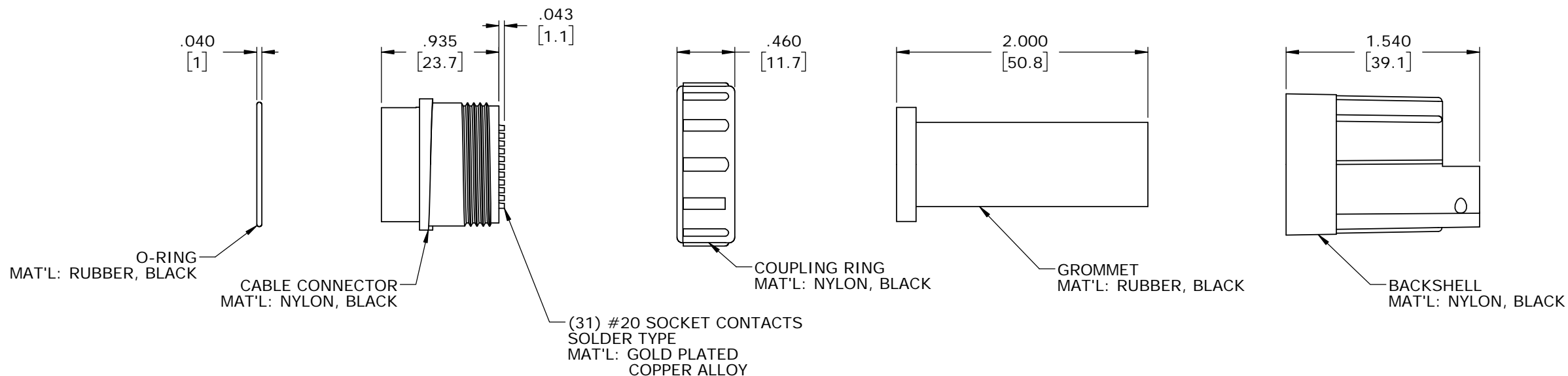


- NOTES:
 1. ALL PARTS TO BE BULK PACKED
 2. CONTACTS TO BE INSERTED INTO CONNECTOR
 3. ALL DIMENSIONS ARE REFERENCE EXCEPT THOSE WITH A TOLERANCE



FACE VIEW



**ASSEMBLED VIEW
FOR CUSTOMER REFERENCE**

DIMENSIONS IN BRACKETS [] ARE METRIC

CUSTOMER APPROVAL

THIS DOCUMENT CONTAINS CONFIDENTIAL INFORMATION PROPRIETARY TO CONXALL CORPORATION. ANY REPRODUCTION, DISCLOSURE, OR USE OF THIS DOCUMENT /INFORMATION IS EXPRESSLY PROHIBITED UNLESS AUTHORIZED IN WRITING BY CONXALL CORPORATION.

APPROVED BY: _____
 DATE: _____

RoHS COMPLIANT

A	MA	02-21-18	DRAWING CRETAEAD PER DOR 15-E253SL #20	
REV.	INIT.	DATE	DESCRIPTION	
	MA	02-21-18	ORIG. DRAWN BY: _____ DATE: 02-21-18 CHECKED BY: _____ APPROVED BY: _____	
ALL INFORMATION ILLUSTRATED IS THE PROPERTY OF "CONXALL CORPORATION". UNAUTHORIZED DUPLICATION OR DISTRIBUTION OF THIS DOCUMENT IS PROHIBITED.			601 E. WILDWOOD VILLA PARK, IL 60181 TITLE: CABLE CONNECTOR ASS'Y (31) #20 SOCKET CONTACTS MEGA-CON-X CUSTOMER: STANDARD PRODUCT	
ALL UNITS ARE IN FEET, INCHES, FRACTION OF INCHES AND DECIMALS.				
SCALE	SIZE	SHEET	FILE:	DIRECTORY:
NTS	B	1 OF 1	23282-31SG-350	SLW
- CRITICAL CHARACTERISTIC FLAG PER SPEC. XXXX			PART NUMBER: 23282-31SG-350	REV A