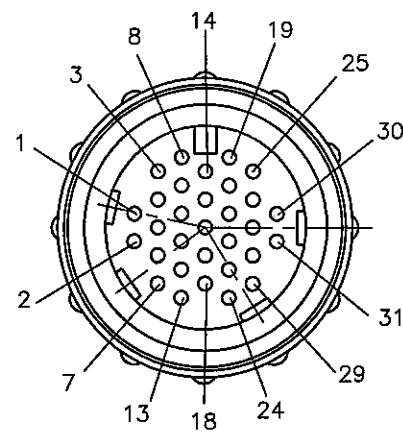
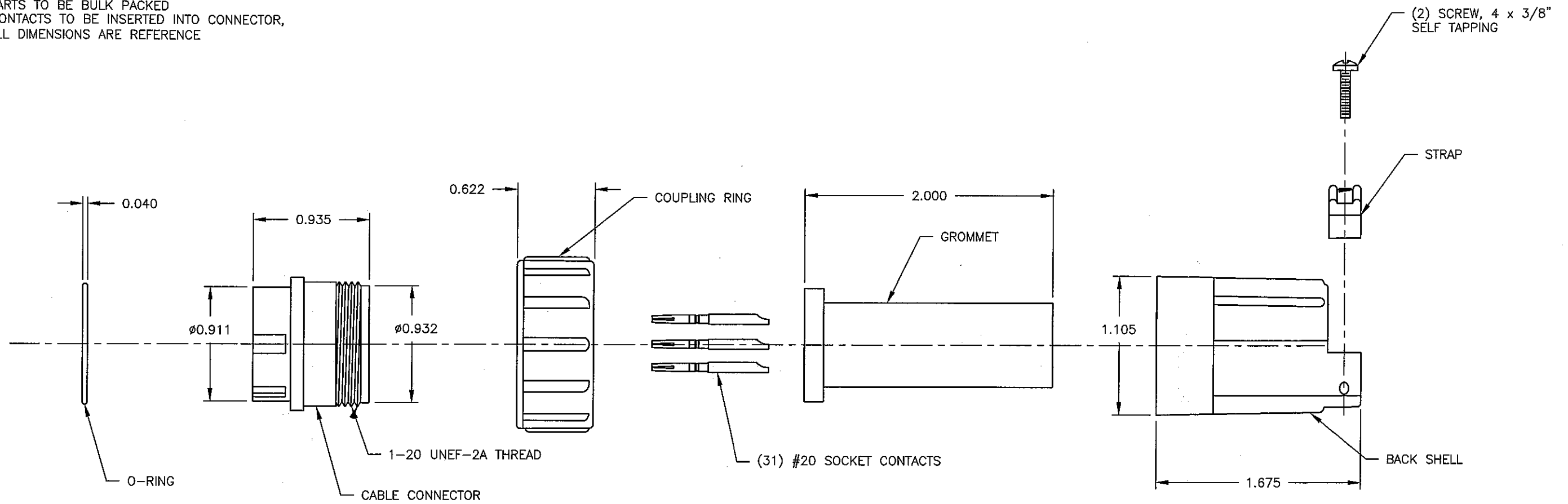


CUSTOMER PRINT

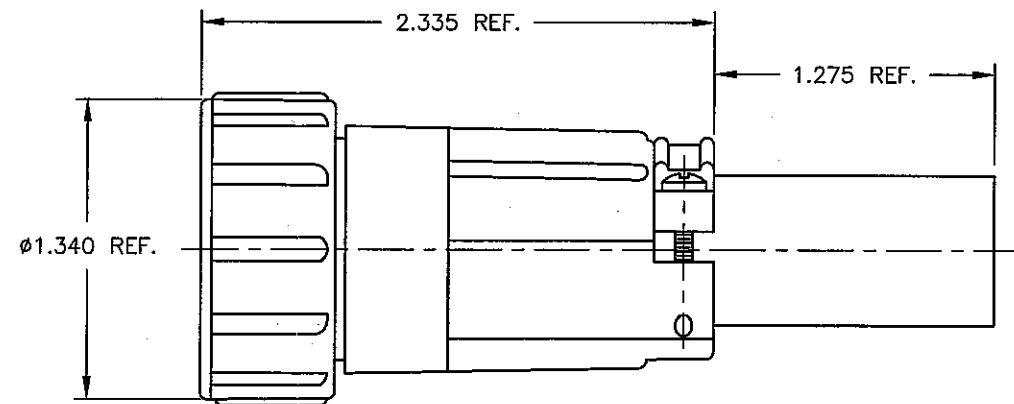
PART NUMBER: 23282-31SGT-350

NOTES:

- 1. PARTS TO BE BULK PACKED
- 2. CONTACTS TO BE INSERTED INTO CONNECTOR,
- 3. ALL DIMENSIONS ARE REFERENCE



FACE VIEW



CABLE PLUG ASSEMBLED OVERALL DIMENSIONS

COPY

CUSTOMER APPROVAL

CHECKED BY: _____
 APPROVED BY: _____
 DATE: _____

A	AN	06-20-07	DRAWING CREATED PER DOR 07-E149JC
REV.	INIT.	DATE	DESCRIPTION
<small>ALL INFORMATION ILLUSTRATED IS THE PROPERTY OF CONNALL CORPORATION. UNAUTHORIZED DUPLICATION OR DISTRIBUTION OF THIS DOCUMENT IS PROHIBITED.</small>			<small>ORIG. DRAWN BY: AN</small> <small>DATE: 06-18-07</small> <small>CHECKED BY: [Signature]</small> <small>APPROVED BY: [Signature]</small> <small>DATE: 6/20/07</small>
<small>ALL UNITS ARE IN FEET, INCHES, FRACTION OF INCHES AND DECIMALS.</small> <small>UNLESS OTHERWISE SPECIFIED TOLERANCES:</small> <small>3 PLACE DECIMALS ±.005</small> <small>ANGLES ±1°</small> <small>FRACTIONS ±1/16</small>			
<small>▷ CRITICAL CHARACTERISTIC FLAG PER SPEC. XXXX</small>			<small>601 E. WILDWOOD VILLA PARK, IL 60181</small> <small>TITLE: CONNECTOR ASSEMBLY</small> <small>31-#20 SOCKET CONTACTS</small> <small>MEGA-CON-X</small> <small>CUSTOMER: STANDARD PRODUCT</small>
FILE:	DIRECTORY:	PART NUMBER:	REV.
2328231SG350	CATALOG	23282-31SGT-350	A