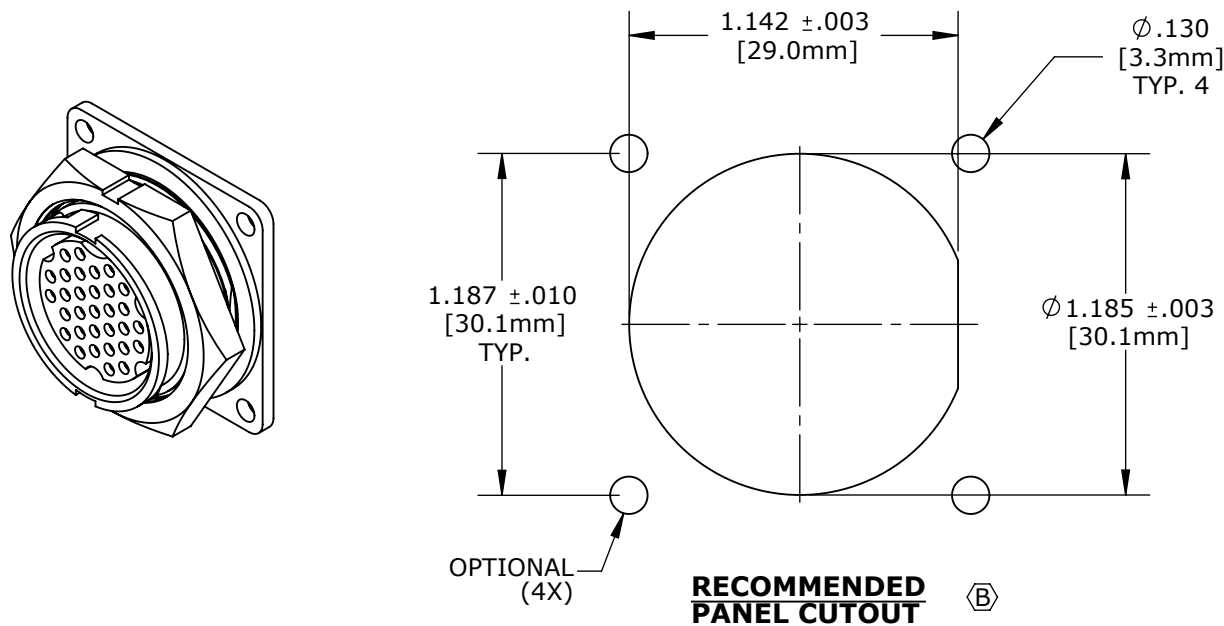
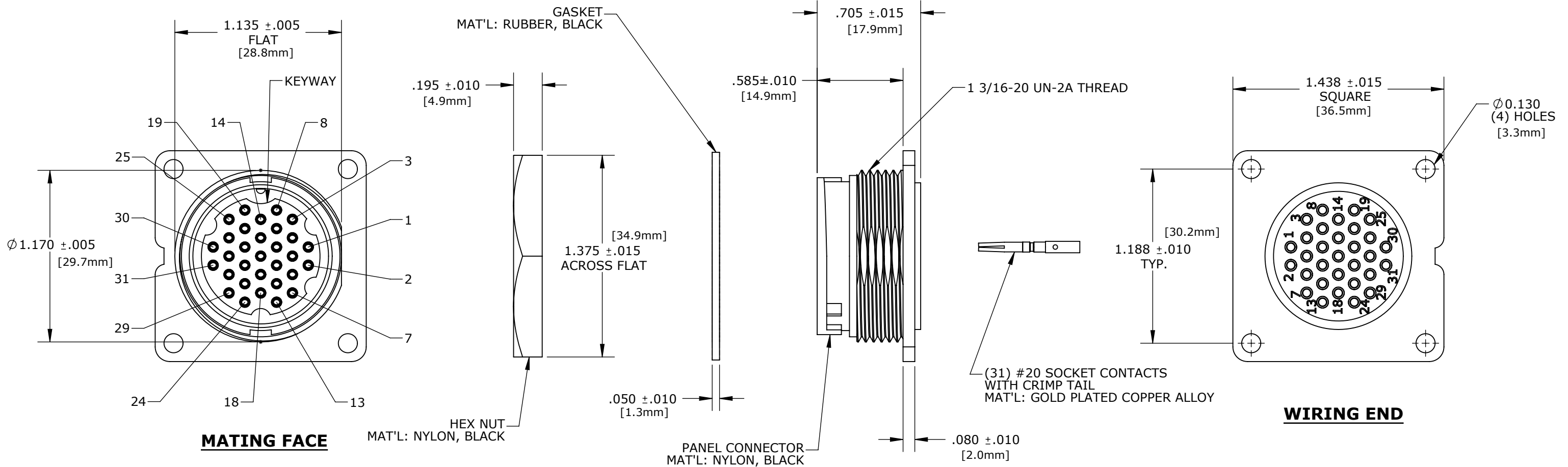


NOTES:

1. ALL PARTS TO BE BULK PACKED
2. SEE DRAWING HPMGSTD FOR HOLE PATTERN



CUSTOMER APPROVAL

THIS DOCUMENT CONTAINS CONFIDENTIAL INFORMATION PROPRIETARY TO CONXALL CORPORATION. ANY REPRODUCTION, DISCLOSURE, OR USE OF THIS DOCUMENT / INFORMATION IS EXPRESSLY PROHIBITED UNLESS AUTHORIZED IN WRITING BY CONXALL CORPORATION.

APPROVED BY: _____
 DATE: _____

DIMENSIONS IN BRACKET [] ARE METRIC.

B	AN	10-11-10	UPDATED PANEL CUTOUT DIM., 1.142 WAS 1.140 & 1.185 WAS 1.170, ADDED TOLERANCES AND MATERIAL. PER ECR 7636
A	BZ	03-09-09	DRAWING CREATED PER ECR 7132
REV.	INIT.	DATE	DESCRIPTION
	BZ	03-09-09	ORIG. DRAWN BY: DATE: 03-09-09
ALL INFORMATION ILLUSTRATED IS THE PROPERTY OF CONXALL CORPORATION. UNAUTHORIZED DUPLICATION OR DISTRIBUTION OF THIS DOCUMENT IS PROHIBITED.			 601 E. WILDWOOD VILLA PARK, IL 60181
ALL UNITS ARE IN FEET, INCHES, FRACTION OF INCHES AND DECIMALS. UNLESS OTHERWISE SPECIFIED TOLERANCES: 3 PLACE DECIMALS ±.010			
APPROVED BY:		TITLE: CONNECTOR ASSEMBLY 31 #20 SOCKET CONTACT MEGA-CON-X	
SCALE: NTS		CUSTOMER: STANDARD PRODUCT	
FILE: 24280-31SG-300		PART NUMBER: 24280-31SG-300	
DIRECTORY: SLW		REV B	

CUSTOMER PRINT

PART NUMBER: 24280-31SG-300