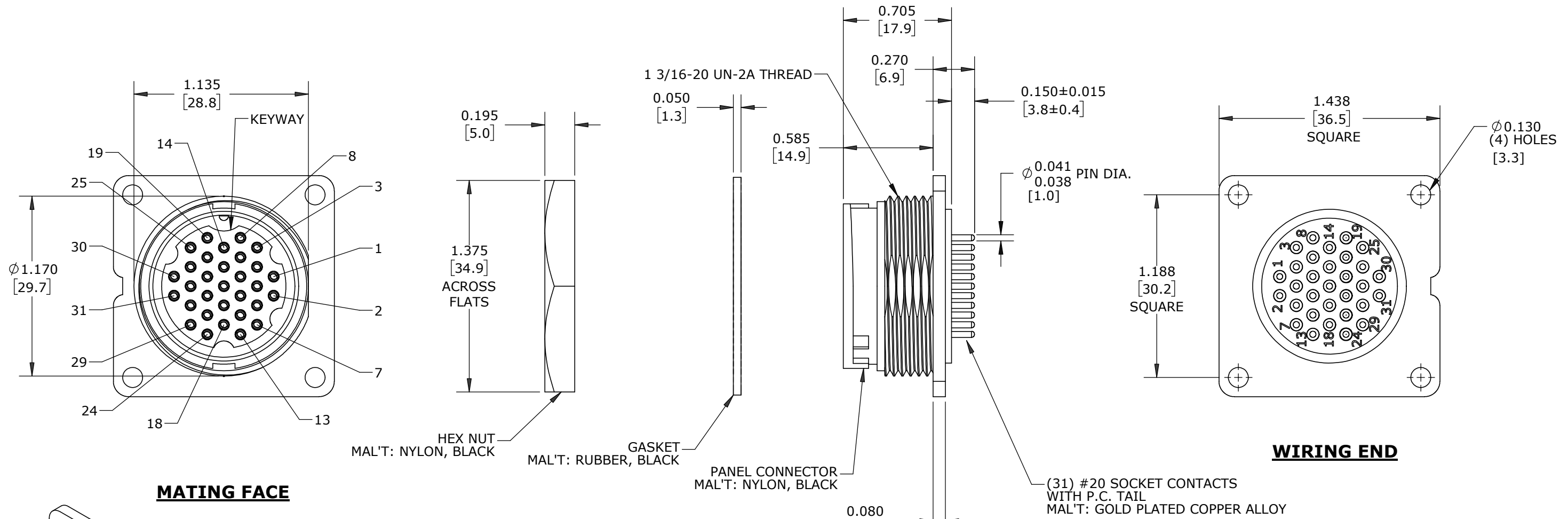
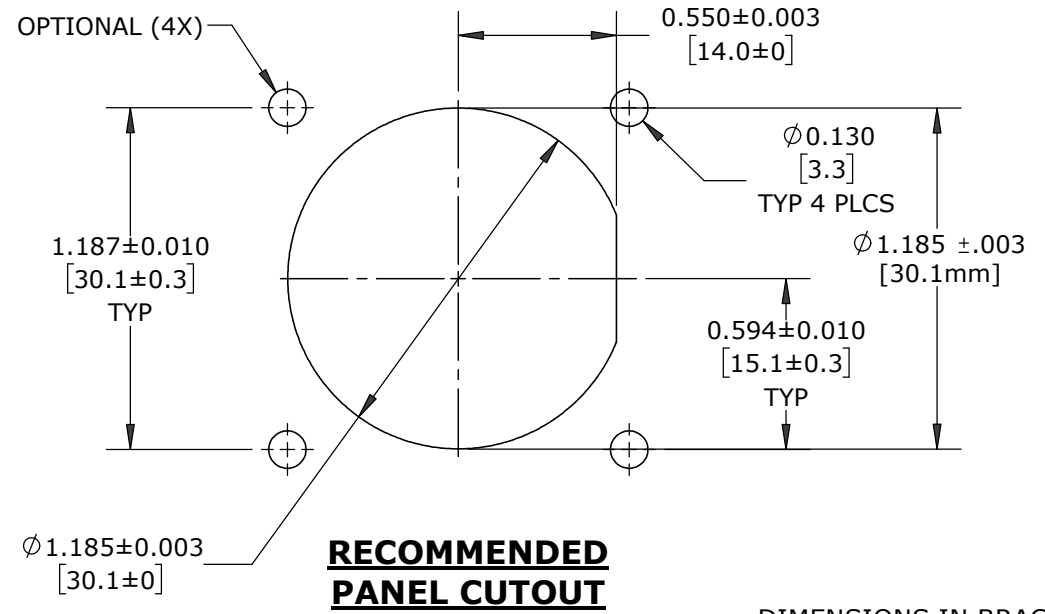
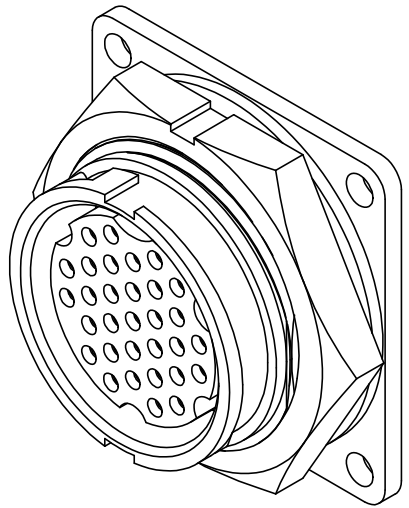


- NOTES:**
1. FINISHED PRODUCT TO BE BOXED. GASKETS AND HEX NUTS MAY BE PACKAGED SEPARATELY.
 2. INSTALL CONTACTS INTO CONNECTOR AS SHOWN.
 3. ALL DIMENSIONS ARE REFERENCE EXCEPT THOSE WITH A TOLERANCE.
 4. SEE DRAWING HPMGSTD FOR HOLE PATTERN



MATING FACE



CUSTOMER APPROVAL

THIS DOCUMENT CONTAINS CONFIDENTIAL INFORMATION PROPRIETARY TO CONXALL CORPORATION. ANY REPRODUCTION, DISCLOSURE, OR USE OF THIS DOCUMENT / INFORMATION IS EXPRESSLY PROHIBITED UNLESS AUTHORIZED IN WRITING BY CONXALL CORPORATION.

APPROVED BY: _____

DATE: _____

DIMENSIONS IN BRACKET [] ARE METRIC.

F	SS	05-12-21	PACKAGING WAS 50 PCS PER BAG PER ECR 9586
E	MA	11/29/17	UPDATED MANUFACTURING DRAWING PER ECR 9236
D	MA	06-27-17	PACKAGING WAS BULK PACKED PER ECR 8907
C	AN	10-12-10	UPDATED PANEL CUTOUT DIM., 1.142 WAS 1.140 & 1.185 WAS 1.170, ADDED TOLERANCES AND MATERIAL. PER ECR 7636
		05-23-08	UPDATED MANUFACTURING DRAWING
B	GMC	11-29-07	UPDATED MANUFACTURING DRAWING PER ECR 6711
A	RCS	03-06-02	DRAWING CREATED PER DOR #02-4021KZ
REV.	INIT.	DATE	DESCRIPTION
	RCS	02-15-02	ALL INFORMATION ILLUSTRATED IS THE PROPERTY OF CONXALL CORPORATION. UNAUTHORIZED DUPLICATION OR DISTRIBUTION OF THIS DOCUMENT IS PROHIBITED.
			CONXALL 601 E. WILDWOOD VILLA PARK, IL 60181
			TITLE: CONNECTOR ASSEMBLY 31 #20 PC SKT CONTACT MEGA-CON-X CUSTOMER: STANDARD PRODUCT
			SCALE: NTS SIZE: B SHEET: 1 OF 1
			FILE: 24281-31SG-300 DIRECTORY: SLW PART NUMBER: 24281-31SG-300
			REV F