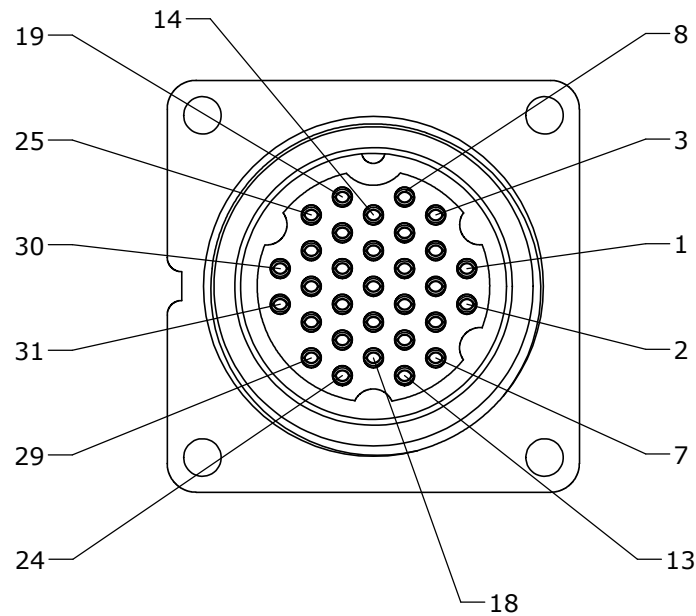
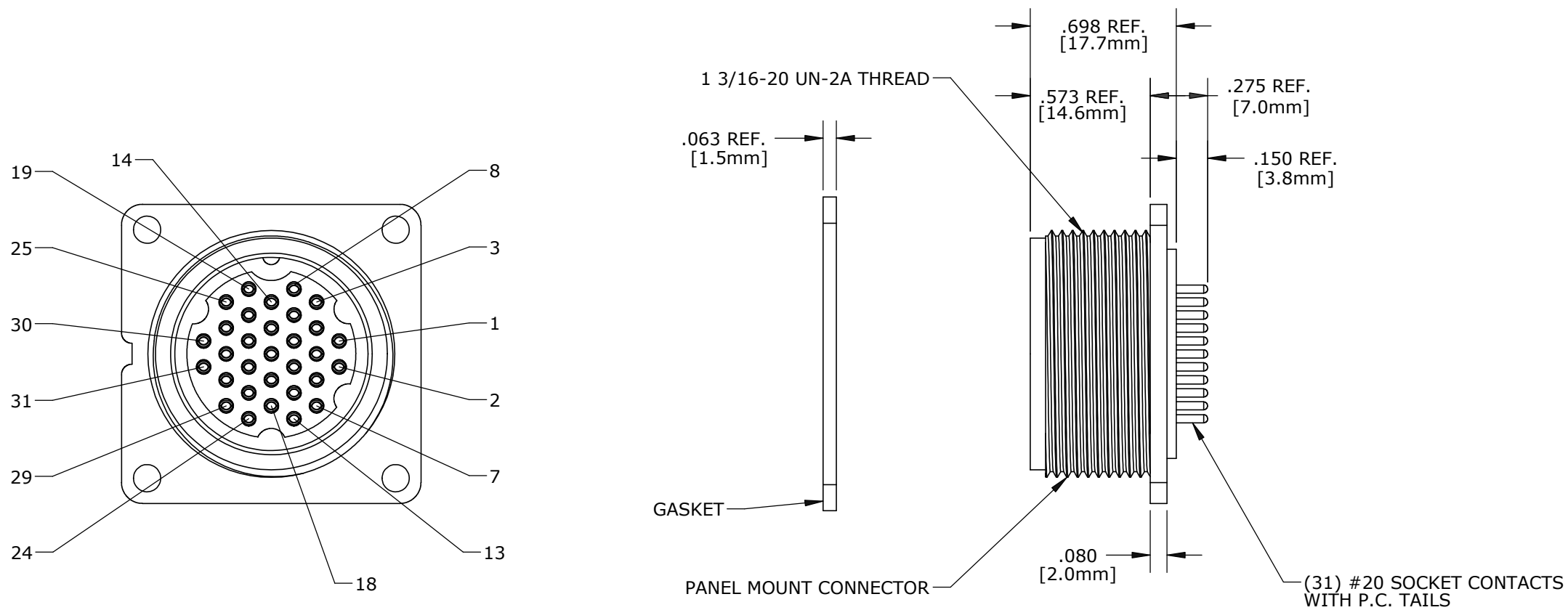


CUSTOMER PRINT

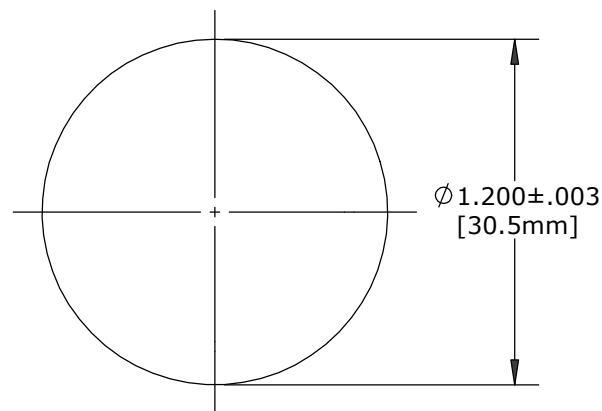
PART NUMBER: 24281-31SGT-300

NOTES:

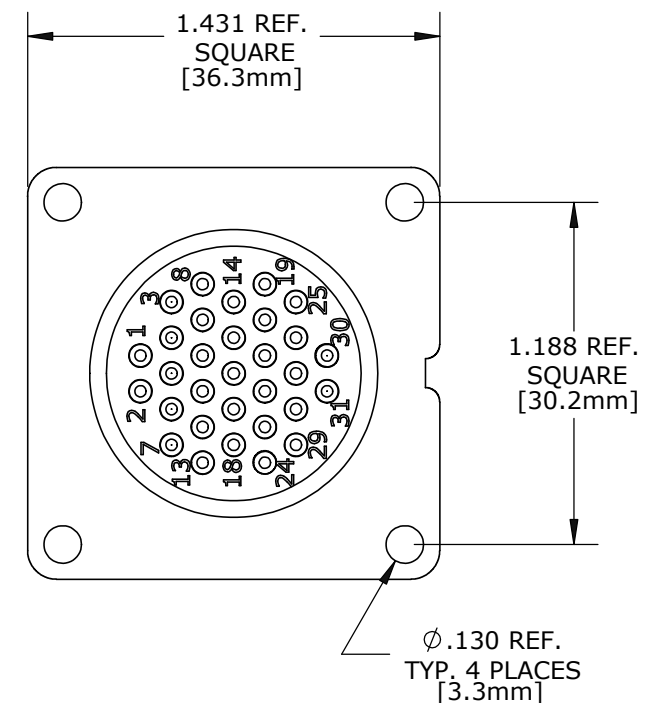
- 1. FINISHED PRODUCT TO BE BOXED. GASKETS AND HEX NUTS MAY BE PACKAGED SEPARATELY.
- 2. INSTALL CONTACTS INTO CONNECTOR AS SHOWN.
- 3. ALL DIMENSIONS ARE REFERENCE EXCEPT THOSE WITH A TOLERANCE.
- 4. SEE DRAWING HPMGSTD FOR HOLE PATTERN.



FACE VIEW



RECOMMENDED PANEL CUTOUT



WIRING VIEW

CUSTOMER APPROVAL

THIS DOCUMENT CONTAINS CONFIDENTIAL INFORMATION PROPRIETARY TO CONXALL CORPORATION. ANY REPRODUCTION, DISCLOSURE, OR USE OF THIS DOCUMENT /INFORMATION IS EXPRESSLY PROHIBITED UNLESS AUTHORIZED IN WRITING BY CONXALL CORPORATION.

APPROVED BY: _____

DATE: _____

RoHS COMPLIANT

DIMENSIONS IN BRACKETS [] ARE METRIC

B	SS	05-12-21	PACKAGING WAS 100 PCS PER BAG PER ECR 9586
A	BZ	02-16-10	DRAWING CREATED PER DOR 10-E149SL
REV.	INIT.	DATE	DESCRIPTION
	BZ	02-16-10	ORIG. DRAWN BY: DATE: BZ 02-16-10
ALL INFORMATION ILLUSTRATED IS THE PROPERTY OF "CONXALL CORPORATION". UNAUTHORIZED DUPLICATION OR DISTRIBUTION OF THIS DOCUMENT IS PROHIBITED.			<p>601 E. WILDWOOD VILLA PARK, IL 60181</p>
ALL UNITS ARE IN FEET, INCHES, FRACTION OF INCHES AND DECIMALS.			
APPROVED BY:		TITLE: PANEL MOUNT, FULL THREAD (31) #20 SOCKET CONTACTS, PC TAIL MEGA-CON-X	
SCALE	SIZE	SHEET	CUSTOMER: STANDARD PRODUCT
NTS	B	1 OF 1	
FILE:	DIRECTORY:	PART NUMBER:	REV
24281-31SGT-300	SLW	24281-31SGT-300	B