

CUSTOMER PRINT

PART NUMBER: 3180-XPG-5XX(CCX)

- NOTES:**
 1. PART TO BE BULK PACKED.
 2. CONTACT SUPPLIED UNASSEMBLED
 3. ALL DIMENSIONS ARE REFERENCE ONLY

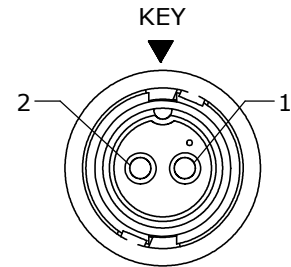
ASS'Y P/N	COUPLING RING COLOR
3180-XPG-5XXCC1	WHITE
3180-XPG-5XXCC2	RED
3180-XPG-5XXCC3	BLUE
3180-XPG-5XXCC4	LIGHT GREY
3180-XPG-5XXCC5	YELLOW
3180-XPG-5XXCC6	MAROON
3180-XPG-5XXCC7	GREEN

KIT PART NO.	NO. OF CONTACTS
3180-2PG-5XX	(2)-#12
3180-3PG-5XX	(3)-#12

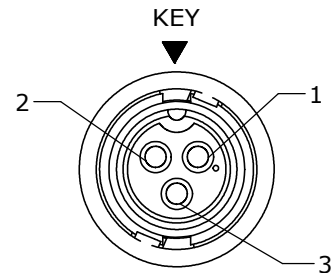
GROMMET SIZE
SEE LIST

KIT PART NO.	GROMMET FOR CABLE	"X" DIM.
3180-XPG-515	.156 I.D. FOR CABLE .15-.17 O.D. [3.8-4.3mm]	Ø 0.77 [19.6mm]
3180-XPG-518	.187 I.D. FOR CABLE .18-.20 O.D. [4.6-5.1mm]	Ø 0.77 [19.6mm]
3180-XPG-521	.225 I.D. FOR CABLE .21-.23 O.D. [5.3-5.8mm]	Ø 0.77 [19.6mm]
3180-XPG-524	.250 I.D. FOR CABLE .24-.27 O.D. [6.1-6.8mm]	Ø 0.77 [19.6mm]
3180-XPG-528	.285 I.D. FOR CABLE .28-.29 O.D. [7.1-7.4mm]	Ø 0.77 [19.6mm]
3180-XPG-530	.312 I.D. FOR CABLE .30-.32 O.D. [7.6-8.1mm]	Ø 0.77 [19.6mm]
3180-XPG-535	.375 I.D. FOR CABLE .35-.40 O.D. [8.9-10.2mm]	Ø 0.83 [21.1mm]

NO. OF CONTACT

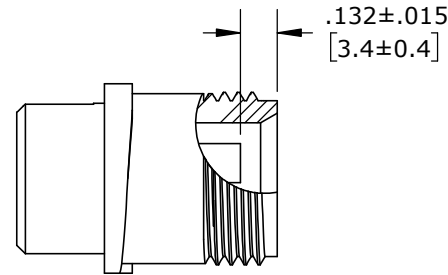


MATING FACE
ASS'Y: 3180-2PG-5XX



MATING FACE
ASS'Y: 3180-3PG-5XX

O-RING
MAT'L: RUBBER, BLACK



CONTACT HEIGHT
FOR CUSTOMER REFERENCE ONLY

.049
[1.3]

.935
[23.7]

.470
[11.9]

#12 PIN CONTACTS
MAT'L: COPPER ALLOY
GOLD PLATED

CABLE CONNECTOR, MALE
MAT'L: NYLON, BLACK
NO. OF CONTACTS SEE CHART

COUPLING RING
MAT'L: NYLON, BLACK
FOR 3180-XPG-5XXCCX
SEE COUPLING RING CHART

.430
[10.9]

.378
[9.6]

.750
[19.1]

Ø "X" DIM.

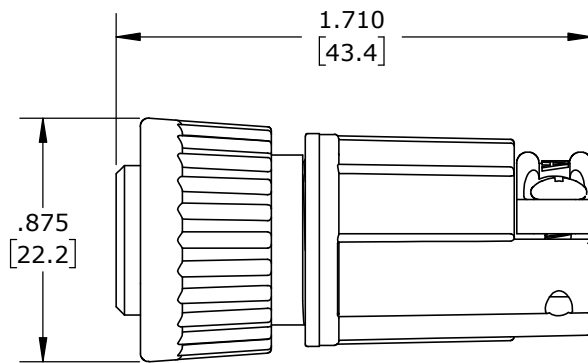
SLEEVE
MAT'L: NYLON, BLACK

SINGLE GROMMET
MAT'L: RUBBER, BLACK
 3180-XPG-515: .156 I.D. FOR CABLE .15-.17 [3.8-4.3mm] O.D.
 3180-XPG-518: .187 I.D. FOR CABLE .18-.20 [4.6-5.1mm] O.D.
 3180-XPG-521: .225 I.D. FOR CABLE .21-.23 [5.3-5.8mm] O.D.
 3180-XPG-524: .250 I.D. FOR CABLE .24-.27 [6.1-6.9mm] O.D.
 3180-XPG-528: .285 I.D. FOR CABLE .28-.29 [7.1-7.3mm] O.D.
 3180-XPG-530: .312 I.D. FOR CABLE .30-.32 [7.6-8.1mm] O.D.
 3180-XPG-535: .375 I.D. FOR CABLE .35-.40 [8.9-10.2mm] O.D.

(2) #4 X 3/8 SCREWS
MAT'L: STAINLESS STEEL

CABLE STRAP
MAT'L: NYLON, BLACK

BACKSHELL
MAT'L: NYLON, BLACK



SHOWN ASSEMBLY KIT
FOR CUSTOMER REFERENCE ONLY

DIMENSIONS IN BRACKETS [] ARE METRIC

CUSTOMER APPROVAL

THIS DOCUMENT CONTAINS CONFIDENTIAL INFORMATION PROPRIETARY TO CONXALL CORPORATION. ANY REPRODUCTION, DISCLOSURE, OR USE OF THIS DOCUMENT /INFORMATION IS EXPRESSLY PROHIBITED UNLESS AUTHORIZED IN WRITING BY CONXALL CORPORATION.

APPROVED BY: _____
 DATE: _____

RoHS COMPLIANT

B	AN	02-25-21	ADDED 3180-XPG-535, AND "X" DIM. TO CHART, ADDED CONTACT HEIGHT VIEW, UPDATED STRAP STYLE. PER ECR 9543
A	SS	10-04-19	CREATED DRAWING PER DOR 15-E253SL #24
REV.	INIT.	DATE	DESCRIPTION
<small>ALL INFORMATION ILLUSTRATED IS THE PROPERTY OF CONXALL CORPORATION. UNAUTHORIZED DUPLICATION OR DISTRIBUTION OF THIS DOCUMENT IS PROHIBITED.</small>			ORIG. DRAWN BY: SS DATE: 10-04-19 CHECKED BY: _____ APPROVED BY: _____
<small>ALL UNITS ARE IN FEET, INCHES, FRACTION OF INCHES AND DECIMALS.</small>			 601 E. WILDWOOD VILLA PARK, IL 60181 TITLE: CONNECTOR ASSEMBLY KIT #12 PIN CONTACTS MULTI-CON-X STANDARD PRODUCT
SCALE	SIZE	SHEET	CUSTOMER:
NTS	B	1 OF 1	STANDARD PRODUCT
FILE:	DIRECTORY:	PART NUMBER:	REV
3180-XPG-5XX(CCX)	SLW	3180-XPG-5XX(CCX)	B