

CUSTOMER PRINT

PART NUMBER: 3180-XPG-5XXW(CCX)

- NOTES:**  
 1. PART TO BE BULK PACKED.  
 2. CONTACT SUPPLIED UNASSEMBLED  
 3. ALL DIMENSIONS ARE REFERENCE ONLY

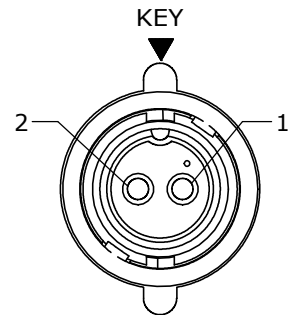
ASS'Y P/N	COUPLING RING COLOR
3180-XPG-5XXWCC1	WHITE
3180-XPG-5XXWCC2	RED
3180-XPG-5XXWCC3	BLUE
3180-XPG-5XXWCC4	LIGHT GREY
3180-XPG-5XXWCC5	YELLOW
3180-XPG-5XXWCC6	MAROON
3180-XPG-5XXWCC7	GREEN

KIT PART NO.	NO. OF CONTACTS
3180-2PG-5XXW	(2)-#12
3180-3PG-5XXW	(3)-#12

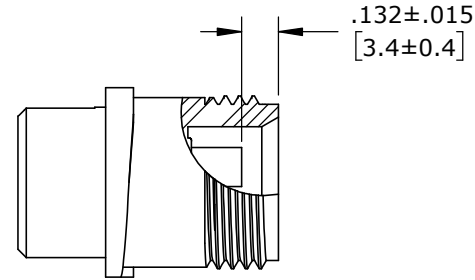
GROMMET SIZE  
SEE LIST

KIT PART NO.	GROMMET FOR CABLE	DIA. "X"
3180-XPG-515W	.156 I.D. FOR CABLE .15-.17 O.D. [3.8-4.3mm]	Ø0.77 [19.6mm]
3180-XPG-518W	.187 I.D. FOR CABLE .18-.20 O.D. [4.6-5.1mm]	Ø0.77 [19.6mm]
3180-XPG-521W	.225 I.D. FOR CABLE .21-.23 O.D. [5.3-5.8mm]	Ø0.77 [19.6mm]
3180-XPG-524W	.250 I.D. FOR CABLE .24-.27 O.D. [6.1-6.8mm]	Ø0.77 [19.6mm]
3180-XPG-528W	.285 I.D. FOR CABLE .28-.29 O.D. [7.1-7.4mm]	Ø0.77 [19.6mm]
3180-XPG-530W	.312 I.D. FOR CABLE .30-.32 O.D. [7.6-8.1mm]	Ø0.77 [19.6mm]
3180-XPG-535W	.375 I.D. FOR CABLE .35-.40 O.D. [8.9-10.2mm]	Ø0.83 [21.1mm]

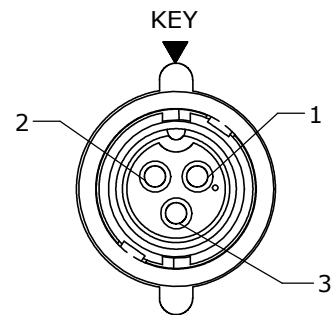
NO. OF CONTACT



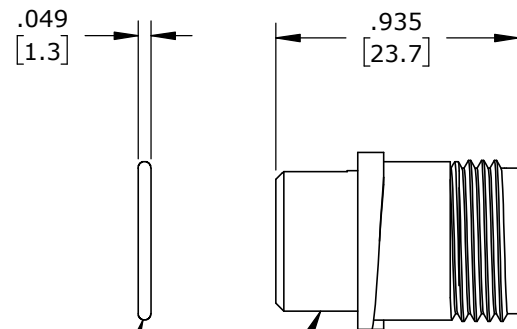
**MATING FACE**  
ASS'Y: 3180-2PG-5XXW



**CONTACT HEIGHT**  
FOR CUSTOMER REFERENCE ONLY

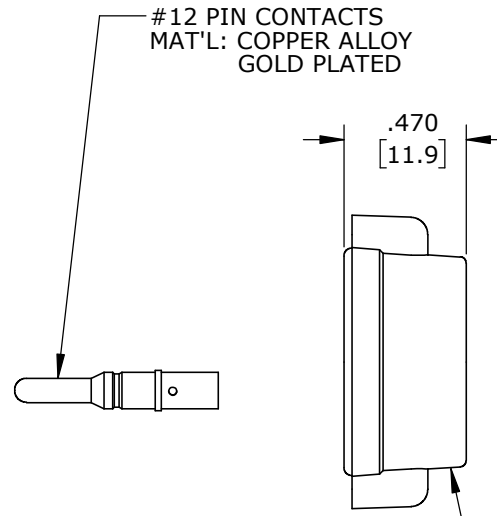


**MATING FACE**  
ASS'Y: 3180-3PG-5XXW



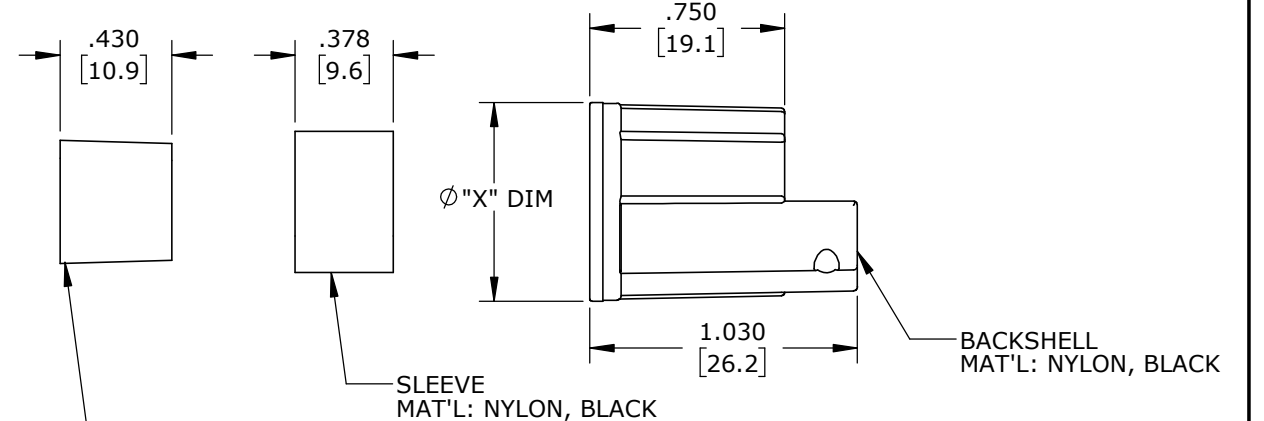
O-RING  
MAT'L: RUBBER, BLACK

CABLE CONNECTOR, MALE  
MAT'L: NYLON, BLACK  
NO. OF CONTACTS SEE CHART



#12 PIN CONTACTS  
MAT'L: COPPER ALLOY  
GOLD PLATED

WINGED COUPLING RING,  
MAT'L: NYLON, BLACK  
FOR 3180-XPG-5XXWCCX  
SEE COUPLING RING CHART



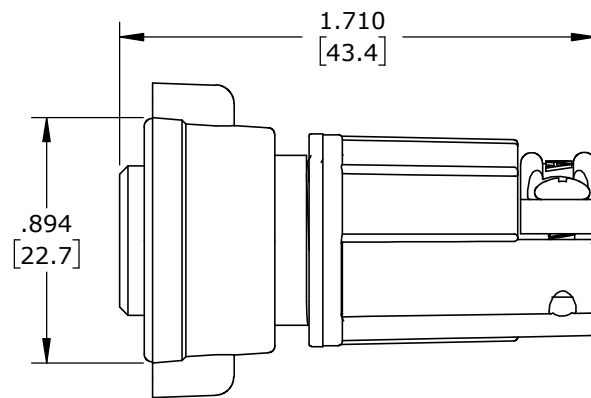
SLEEVE  
MAT'L: NYLON, BLACK

SINGLE GROMMET  
MAT'L: RUBBER, BLACK  
 3180-XPG-515W: .156 I.D. FOR CABLE .15-.17 [3.8-4.3mm] O.D.  
 3180-XPG-518W: .187 I.D. FOR CABLE .18-.20 [4.6-5.1mm] O.D.  
 3180-XPG-521W: .225 I.D. FOR CABLE .21-.23 [5.3-5.8mm] O.D.  
 3180-XPG-524W: .250 I.D. FOR CABLE .24-.27 [6.1-6.9mm] O.D.  
 3180-XPG-528W: .285 I.D. FOR CABLE .28-.29 [7.1-7.3mm] O.D.  
 3180-XPG-530W: .312 I.D. FOR CABLE .30-.32 [7.6-8.1mm] O.D.  
 3180-XPG-535W: .375 I.D. FOR CABLE .35-.40 [8.9-10.2mm] O.D.

(2) #4 X 3/8 SCREWS  
MAT'L: STAINLESS STEEL

CABLE STRAP  
MAT'L: NYLON, BLACK

BACKSHELL  
MAT'L: NYLON, BLACK



**SHOWN ASSEMBLY KIT**  
FOR CUSTOMER REFERENCE ONLY

DIMENSIONS IN BRACKETS [ ] ARE METRIC

**CUSTOMER APPROVAL**

THIS DOCUMENT CONTAINS CONFIDENTIAL INFORMATION PROPRIETARY TO CONXALL CORPORATION. ANY REPRODUCTION, DISCLOSURE, OR USE OF THIS DOCUMENT /INFORMATION IS EXPRESSLY PROHIBITED UNLESS AUTHORIZED IN WRITING BY CONXALL CORPORATION.

APPROVED BY: \_\_\_\_\_  
 DATE: \_\_\_\_\_

**RoHS COMPLIANT**

A	AN	02-24-21	DRAWING CREATED PER DOR 15-E253SL-39
REV.	INIT.	DATE	DESCRIPTION
	AN	02-24-21	ORIG. DRAWN BY: AN CHECKED BY: _____ APPROVED BY: _____
<small>ALL INFORMATION ILLUSTRATED IS THE PROPERTY OF CONXALL CORPORATION. UNAUTHORIZED DUPLICATION OR DISTRIBUTION OF THIS DOCUMENT IS PROHIBITED.</small>			 601 E. WILDWOOD VILLA PARK, IL 60181 TITLE: CONNECTOR ASSEMBLY KIT (2-3) #12 PIN CONTACTS MULTI-CON-X, W/COUPLING NUT STANDARD PRODUCT
<small>ALL UNITS ARE IN FEET, INCHES, FRACTION OF INCHES AND DECIMALS.</small>			
SCALE	SIZE	SHEET	CUSTOMER:
NTS	B	1 OF 1	3180-XPG-5XXW(CCX)
FILE:	DIRECTORY:	PART NUMBER:	REV
3180-XPG-5XXW(CCX)	SLW	3180-XPG-5XXW(CCX)	A