

CUSTOMER PRINT

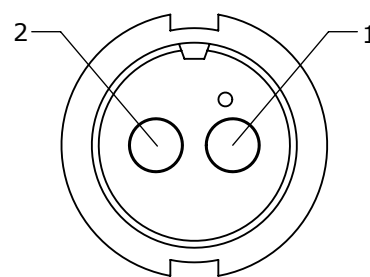
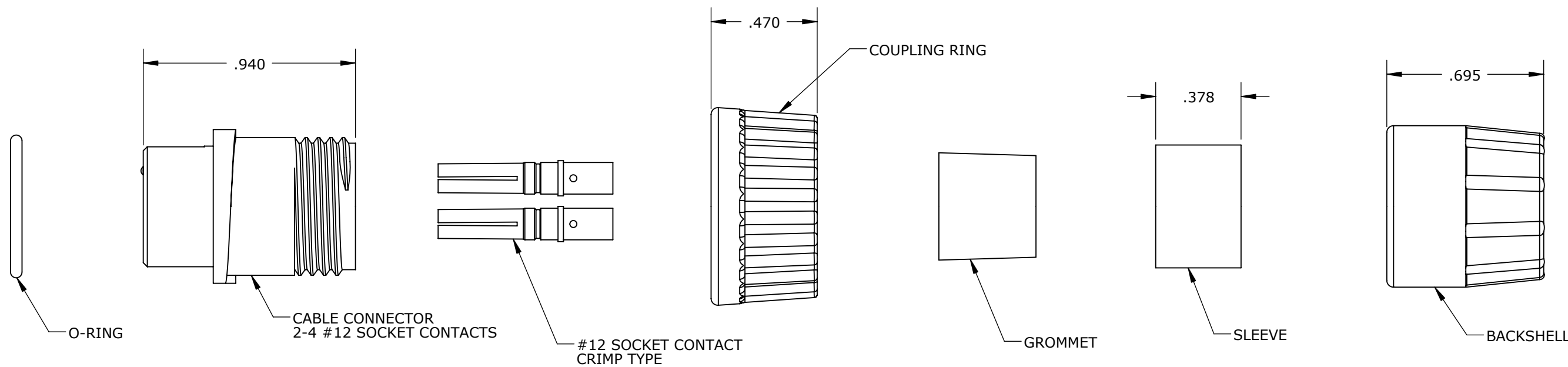
PART NUMBER: 3180-XSG-3XX

NOTES:

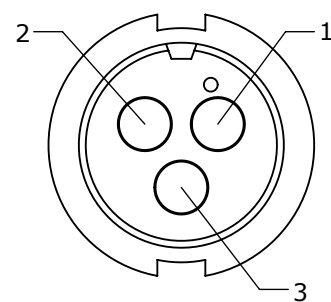
1. PARTS TO BE BULK PACKED
2. ALL DIMENSIONS TO BE FOR REFERENCES ONLY

CUSTOMER APPROVAL	
CHECKED BY	_____
APPROVED BY:	_____
DATE:	_____

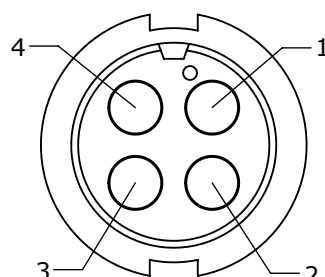
ASS'Y PART NO.	CONTACT QTY.	CABLE O.D.
3180-2SG-315	2	0.150 MAX.
3180-2SG-318	2	0.187 MAX.
3180-2SG-321	2	0.225 MAX.
3180-2SG-324	2	0.240 - 0.270
3180-2SG-328	2	0.280 - 0.290
3180-2SG-330	2	0.300 - 0.320
3180-3SG-315	3	0.150 MAX.
3180-3SG-318	3	0.187 MAX.
3180-3SG-321	3	0.225 MAX.
3180-3SG-324	3	0.240 - 0.270
3180-3SG-328	3	0.280 - 0.290
3180-3SG-330	3	0.300 - 0.320
3180-4SG-315	4	0.150 MAX.
3180-4SG-318	4	0.187 MAX.
3180-4SG-321	4	0.225 MAX.
3180-4SG-324	4	0.240 - 0.270
3180-4SG-328	4	0.280 - 0.290
3180-4SG-330	4	0.300 - 0.320



FACE VIEW  
(2) #12  
SOCKET CONTACT



FACE VIEW  
(3) #12  
SOCKET CONTACT



FACE VIEW  
(4) #12  
SOCKET CONTACT

**RoHS COMPLIANT**

A	SXL	08-07-07	DRAWING CREATED PER DOR 07-E149JC	
REV.	INIT.	DATE	DESCRIPTION	
			ORIG. DRAWN BY: S.X.LOU	DATE: 08-03-07
<small>ALL INFORMATION ILLUSTRATED IS THE PROPERTY OF CONXALL CORPORATION. UNAUTHORIZED DUPLICATION OR DISTRIBUTION OF THIS DOCUMENT IS PROHIBITED.</small>  <small>ALL UNITS ARE IN FEET, INCHES, FRACTION OF INCHES AND DECIMALS.</small> <small>UNLESS OTHERWISE SPECIFIED TOLERANCES:          3 PLACE DECIMALS ±.005          ANGLES ±1°          FRACTIONS ±1/16</small> ▽ - CRITICAL CHARACTERISTIC FLAG PER SPEC. XXXX			CHECKED BY:	 601 E. WILDWOOD VILLA PARK, IL 60181
			APPROVED BY:	
SCALE	SIZE	SHEET	CUSTOMER: STANDARD PRODUCT	
NTS	B	1 OF 1	FILE: 3180-XSG-3XX	DIRECTORY: SLW
			PART NUMBER: 3180-XSG-3XX	REV A