

CUSTOMER PRINT

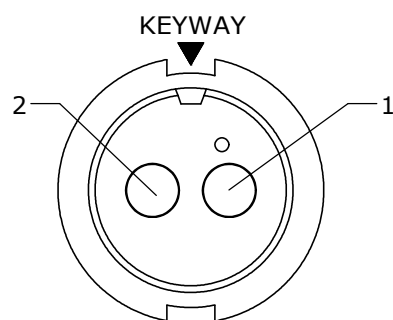
PART NUMBER: 3180-XSG-5XX(CCX)

**NOTES:**  
 1. PARTS TO BE BULK PACKED  
 2. SEE DRAWING HPMUSTD FOR HOLE PATTERN.

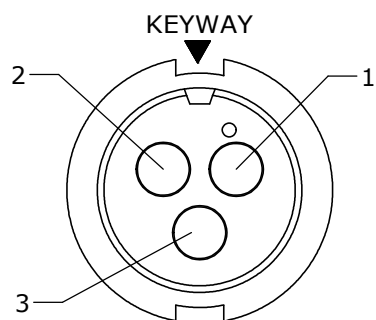
ASS'Y P/N	COUPLING RING COLOR
3180-XSG-5XXCC1	WHITE
3180-XSG-5XXCC2	RED
3180-XSG-5XXCC3	BLUE
3180-XSG-5XXCC4	LIGHT GREY
3180-XSG-5XXCC5	YELLOW
3180-XSG-5XXCC6	MAROON
3180-XSG-5XXCC7	GREEN

KIT PART NO.	NO. OF CONTACT
3180-2SG-5XX	(2)-#12
3180-3SG-5XX	(3)-#12
3180-4SG-5XX	(4)-#12

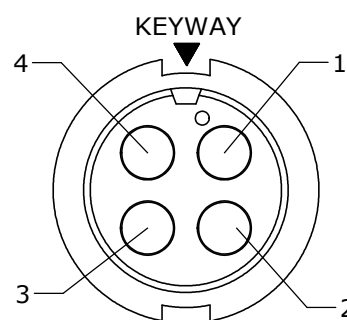
KIT PART NO.	GROMMET FOR CABLE
3180-XSG-515	.156 I.D. FOR CABLE .15-.17 O.D.
3180-XSG-518	.187 I.D. FOR CABLE .18-.20 O.D.
3180-XSG-521	.225 I.D. FOR CABLE .21-.23 O.D.
3180-XSG-524	.250 I.D. FOR CABLE .24-.27 O.D.
3180-XSG-528	.285 I.D. FOR CABLE .28-.29 O.D.
3180-XSG-530	.312 I.D. FOR CABLE .30-.32 O.D.
3180-XSG-535	.375 I.D. FOR CABLE .35-.40 O.D.



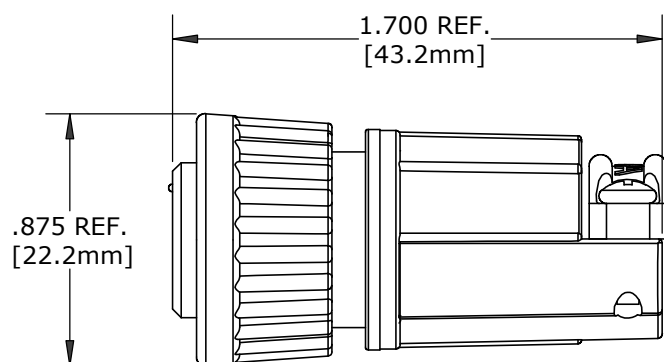
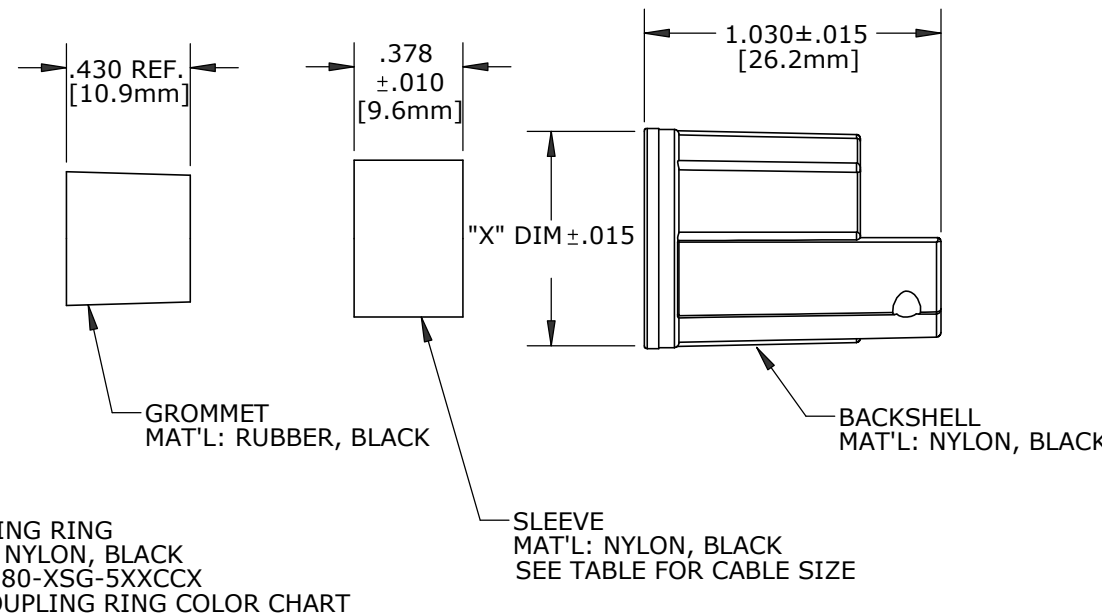
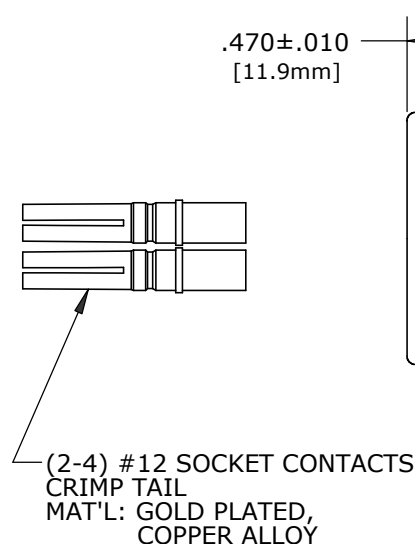
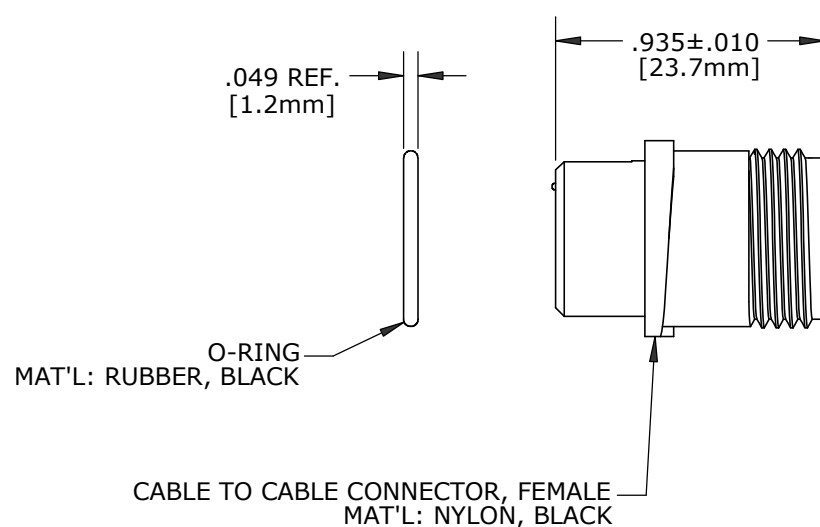
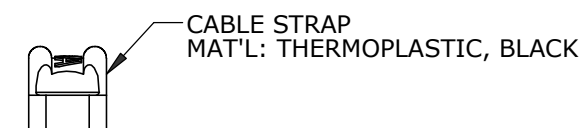
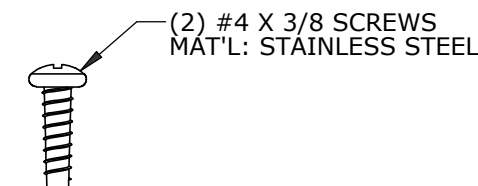
**MATING FACE**  
 ASS'Y: 3180-2SG-5XX



**MATING FACE**  
 ASS'Y: 3180-3SG-5XX



**MATING FACE**  
 ASS'Y: 3180-4SG-5XX



**CUSTOMER APPROVAL**  
 THIS DOCUMENT CONTAINS CONFIDENTIAL INFORMATION PROPRIETARY TO CONXALL CORPORATION. ANY REPRODUCTION, DISCLOSURE, OR USE OF THIS DOCUMENT / INFORMATION IS EXPRESSLY PROHIBITED UNLESS AUTHORIZED IN WRITING BY CONXALL CORPORATION.  
 APPROVED BY: \_\_\_\_\_  
 DATE: \_\_\_\_\_

DIMENSIONS IN BRACKET [ ] ARE METRIC.

**RoHS COMPLIANT**

B	SS	07-20-20	DRAWING WAS 3180-XSG-5XX NOW IS 3180-XSG-5XX(CCX) PER DOR 20-E149SL #22
A	AN	02-06-15	DRAWING CREATED PER DOR 15-E149SL #1
REV.	INIT.	DATE	DESCRIPTION
	AN	02-06-15	
ALL INFORMATION ILLUSTRATED IS THE PROPERTY OF "CONXALL CORPORATION". UNAUTHORIZED DUPLICATION OR DISTRIBUTION OF THIS DOCUMENT IS PROHIBITED.			601 E. WILDWOOD VILLA PARK, IL 60181
ALL UNITS ARE IN FEET, INCHES, FRACTIONS OF INCHES AND DECIMALS.			
APPROVED BY:		TITLE: CONNECTOR ASSEMBLY KIT #12 SOCKET CONTACTS, CRIMP MULTI-CON-X	
SCALE: NTS		CUSTOMER: STANDARD PRODUCT	
FILE: 3180-XSG-5XX(CCX)	DIRECTORY: SLW	PART NUMBER: 3180-XSG-5XX(CCX)	REV B