

CUSTOMER PRINT

PART NUMBER: 3180-XSG-5XXW(CCX)

- NOTES:**
 1. PARTS TO BE BULK PACKED
 2. CONTACTS SUPPLIED UNASSEMBLED
 3. ALL DIMENSION ARE REFERENCE ONLY

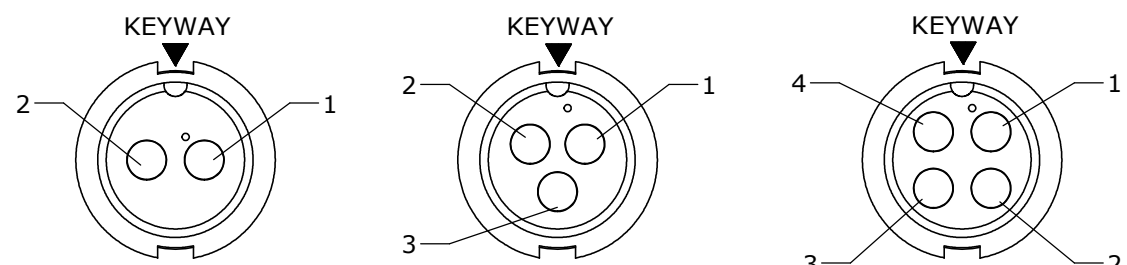
ASS'Y P/N	COUPLING RING COLOR
3180-XSG-5XXWCC1	WHITE
3180-XSG-5XXWCC2	RED
3180-XSG-5XXWCC3	BLUE
3180-XSG-5XXWCC4	LIGHT GREY
3180-XSG-5XXWCC5	YELLOW
3180-XSG-5XXWCC6	MAROON
3180-XSG-5XXWCC7	GREEN

KIT PART NO.	NO. OF CONTACT
3180-2SG-5XXW	(2)-#12
3180-3SG-5XXW	(3)-#12
3180-4SG-5XXW	(4)-#12

KIT PART NO.	GROMMET FOR CABLE	"X" DIM.
3180-XSG-515W	.156 I.D. FOR CABLE .15-.17 O.D. [3.8-4.3mm]	Ø0.77 [19.6mm]
3180-XSG-518W	.187 I.D. FOR CABLE .18-.20 O.D. [4.6-5.1mm]	Ø0.77 [19.6mm]
3180-XSG-521W	.225 I.D. FOR CABLE .21-.23 O.D. [5.3-5.8mm]	Ø0.77 [19.6mm]
3180-XSG-524W	.250 I.D. FOR CABLE .24-.27 O.D. [6.1-6.8mm]	Ø0.77 [19.6mm]
3180-XSG-528W	.285 I.D. FOR CABLE .28-.29 O.D. [7.1-7.4mm]	Ø0.77 [19.6mm]
3180-XSG-530W	.312 I.D. FOR CABLE .30-.32 O.D. [7.6-8.1mm]	Ø0.77 [19.6mm]
3180-XSG-535W	.375 I.D. FOR CABLE .35-.40 O.D. [8.9-10.2mm]	Ø0.83 [21.1mm]

GROMMET SIZE

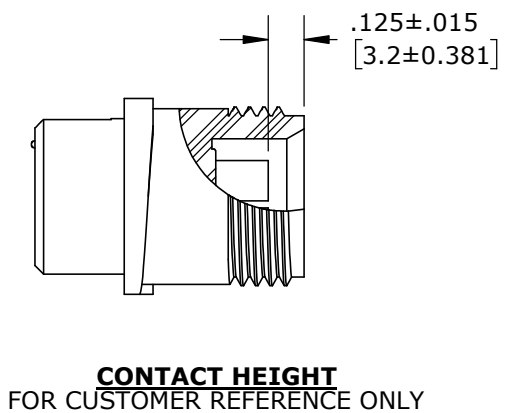
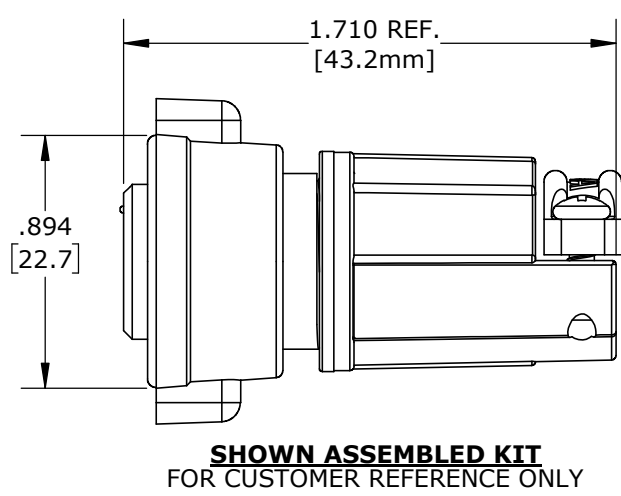
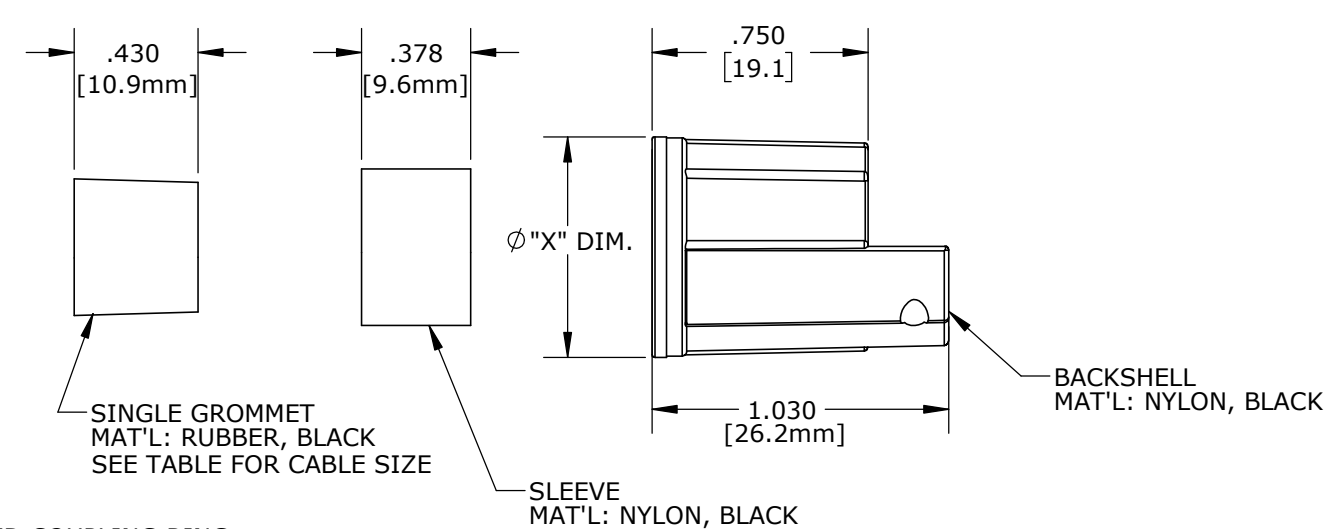
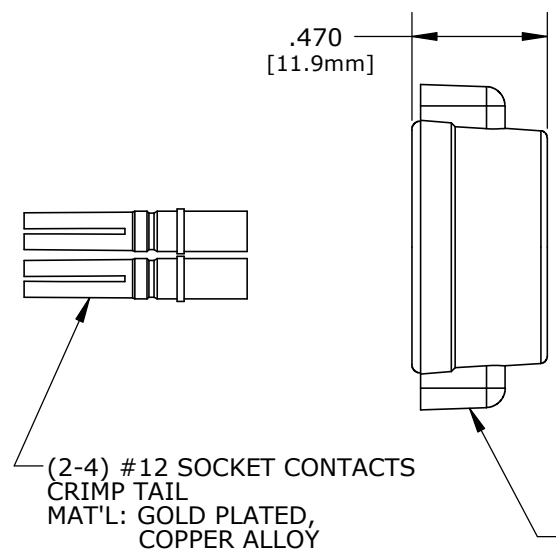
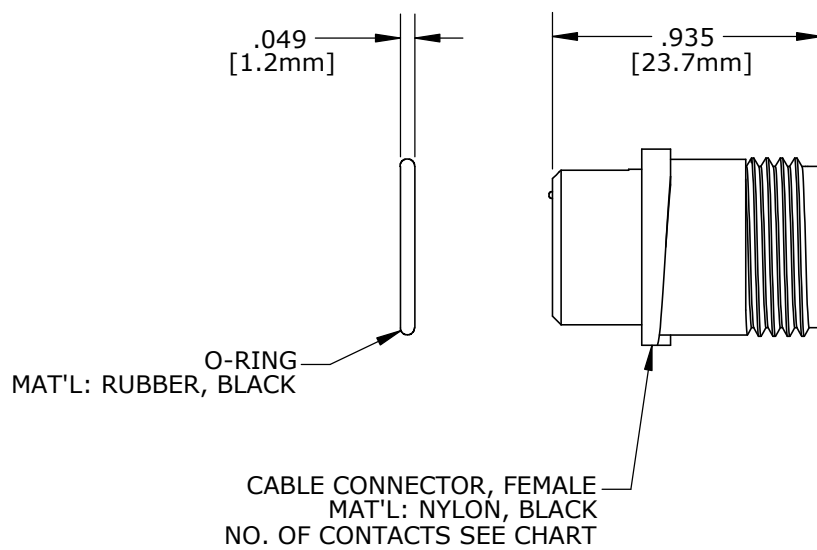
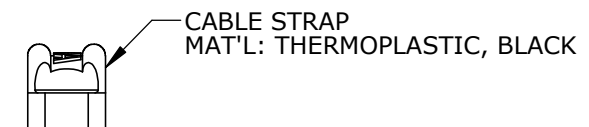
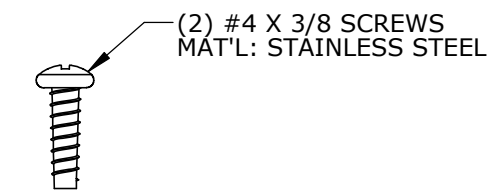
NO. OF CONTACTS



MATING FACE
ASS'Y: 3180-2SG-5XXW

MATING FACE
ASS'Y: 3180-3SG-5XXW

MATING FACE
ASS'Y: 3180-4SG-5XXW



DIMENSIONS IN BRACKET [] ARE METRIC.

CUSTOMER APPROVAL
 THIS DOCUMENT CONTAINS CONFIDENTIAL INFORMATION PROPRIETARY TO CONXALL CORPORATION. ANY REPRODUCTION, DISCLOSURE, OR USE OF THIS DOCUMENT / INFORMATION IS EXPRESSLY PROHIBITED UNLESS AUTHORIZED IN WRITING BY CONXALL CORPORATION.
 APPROVED BY: _____
 DATE: _____

RoHS COMPLIANT

A	AN	03-17-21	DRAWING CREATED PER DOR 15-E253SL #39
REV.	INIT.	DATE	DESCRIPTION
	AN	02-16-21	ORIG. DRAWN BY: AN DATE: 02-16-21
ALL INFORMATION ILLUSTRATED IS THE PROPERTY OF "CONXALL CORPORATION". UNAUTHORIZED DUPLICATION OR DISTRIBUTION OF THIS DOCUMENT IS PROHIBITED.			 601 E. WILDWOOD VILLA PARK, IL 60181
ALL UNITS ARE IN FEET, INCHES, FRACTIONS OF INCHES AND DECIMALS.			
APPROVED BY:		TITLE: CONNECTOR ASSEMBLY KIT (2-4) #12 SOCKET CONTACTS, CRIMP MULTI-CON-X	
SCALE	SIZE	SHEET	CUSTOMER: STANDARD PRODUCT
NTS	B	1 OF 1	
FILE:	DIRECTORY:	PART NUMBER:	REV
3180-XSG-5XXW(CCX)	SLW	3180-XSG-5XXW(CCX)	A