

CUSTOMER PRINT

PART NUMBER: 3182-XPG-5XX(CCX)

- NOTES:
1. PARTS TO BE BULK PACKED.
 2. CONTACTS TO BE INSERTED INTO CONNECTOR AS SHOWN.
 3. DIMENSIONS FOR REFERENCE EXCEPT THOSE WITH A TOLERANCE

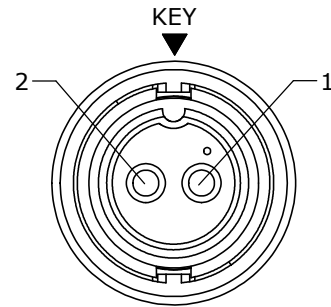
ASS'Y P/N	COUPLING RING COLOR
3182-XPG-5XXCC1	WHITE
3182-XPG-5XXCC2	RED
3182-XPG-5XXCC3	BLUE
3182-XPG-5XXCC4	LIGHT GREY
3182-XPG-5XXCC5	YELLOW
3182-XPG-5XXCC6	MAROON
3182-XPG-5XXCC7	GREEN

KIT PART NO.	NO. OF CONTACTS
3182-2PG-5XX	(2)-#12
3182-3PG-5XX	(3)-#12

GROMMET SIZE SEE LIST

KIT PART NO.	GROMMET FOR CABLE	"X" DIM.
3182-XPG-515	.156 I.D. FOR CABLE .15-.17 O.D. [3.8-4.3mm]	Ø0.77 [19.6mm]
3182-XPG-518	.187 I.D. FOR CABLE .18-.20 O.D. [4.6-5.1mm]	Ø0.77 [19.6mm]
3182-2PG-521	.225 I.D. FOR CABLE .21-.23 O.D. [5.3-5.8mm]	Ø0.77 [19.6mm]
3182-2PG-524	.250 I.D. FOR CABLE .24-.27 O.D. [6.1-6.8mm]	Ø0.77 [19.6mm]
3182-XPG-528	.285 I.D. FOR CABLE .28-.29 O.D. [7.1-7.4mm]	Ø0.77 [19.6mm]
3182-XPG-530	.312 I.D. FOR CABLE .30-.32 O.D. [7.6-8.1mm]	Ø0.77 [19.6mm]
3182-XPG-535	.375 I.D. FOR CABLE .35-.40 O.D. [8.9-10.2mm]	Ø0.83 [21.1mm]

NO. OF CONTACT

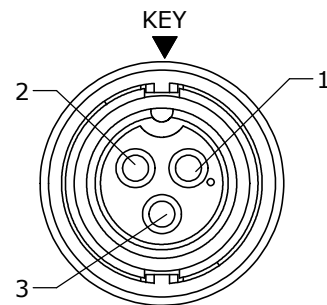


FACE VIEW
3182-2PG-5XX

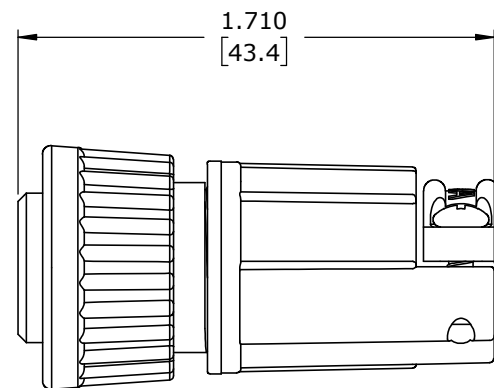
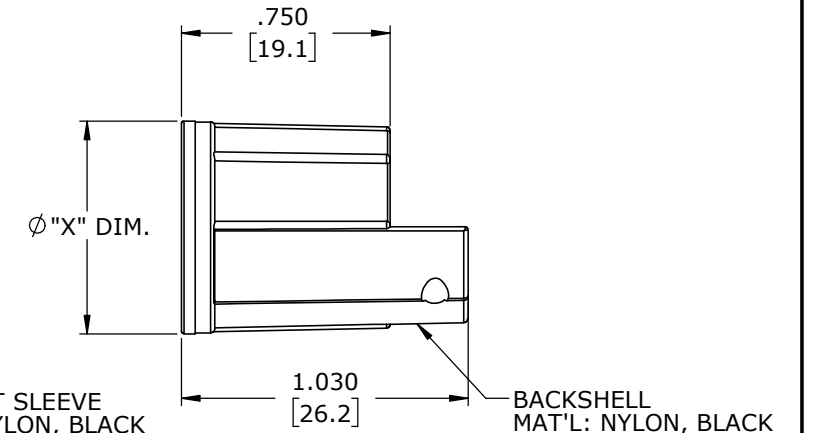
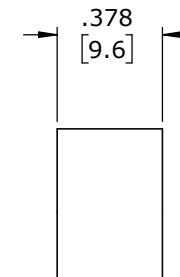
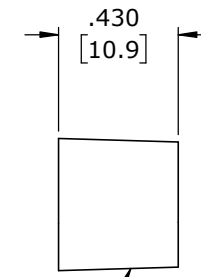
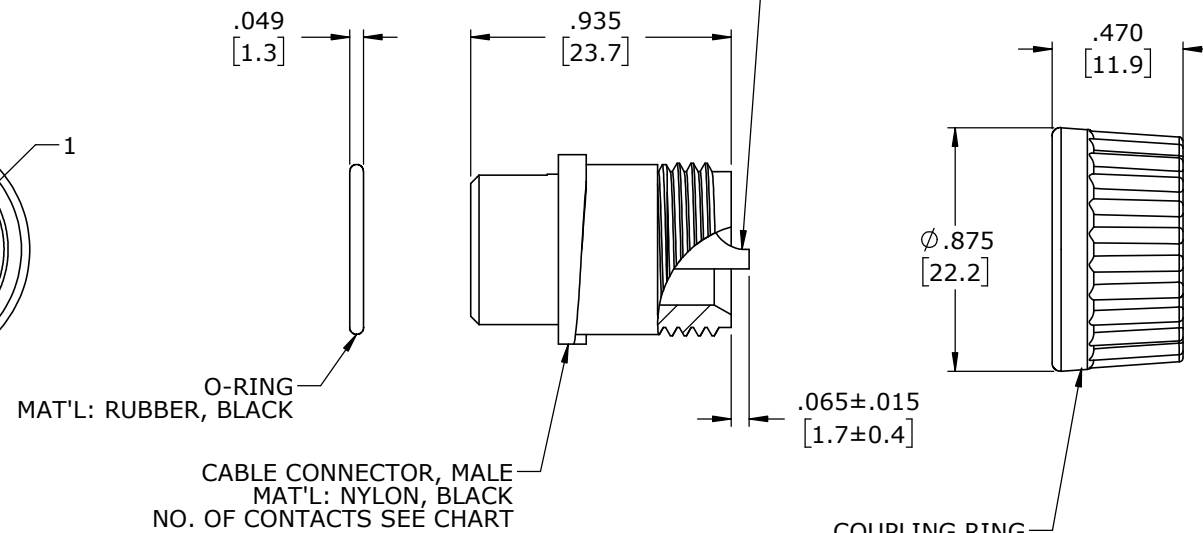
(2) #4 X 3/8 SCREWS
MAT'L: STAINLESS STEEL



CABLE STRAP
MAT'L: NYLON, BLACK



FACE VIEW
3182-3PG-5XX



ASSEMBLED VIEW
FOR CUSTOMER REFERENCE ONLY

DIMENSIONS IN BRACKETS [] ARE IN MILLIMETERS

CUSTOMER APPROVAL

THIS DOCUMENT CONTAINS CONFIDENTIAL INFORMATION PROPRIETARY TO CONXALL CORPORATION. ANY REPRODUCTION, DISCLOSURE, OR USE OF THIS DOCUMENT /INFORMATION IS EXPRESSLY PROHIBITED UNLESS AUTHORIZED IN WRITING BY CONXALL CORPORATION.

APPROVED BY: _____
DATE: _____

RoHS COMPLIANT

REV. A	INIT. AN	DATE 02-19-21	DRAWING CREATED PER DOR 15-E253SL #39	
DESCRIPTION			ORIG. DRAWN BY: AN DATE: 02-19-21	
ALL INFORMATION ILLUSTRATED IS THE PROPERTY OF CONXALL CORPORATION. UNAUTHORIZED DUPLICATION OR DISTRIBUTION OF THIS DOCUMENT IS PROHIBITED.			CHECKED BY:	
ALL UNITS ARE IN FEET, INCHES, FRACTION OF INCHES AND DECIMALS.			APPROVED BY:	
SCALE NTS	SIZE B	SHEET 1 OF 1	TITLE: CABLE CONNECTOR (2-3) #12 PIN CONTACTS, SOLDER MULTI-CON-X STANDARD PRODUCT	
FILE: 3182-XPG-5XX(CCX)	DIRECTORY: SLW	PART NUMBER: 3182-XPG-5XX(CCX)	REV A	



601 E. WILDWOOD VILLA PARK, IL 60181