

CUSTOMER PRINT

PART NUMBER: 3182-XPG-5XXW(CCX)

- NOTES:
 1. PARTS TO BE BULK PACKED.
 2. CONTACTS TO BE INSERTED INTO CONNECTOR AS SHOWN.
 3. DIMENSIONS FOR REFERENCE EXCEPT THOSE WITH A TOLERANCE

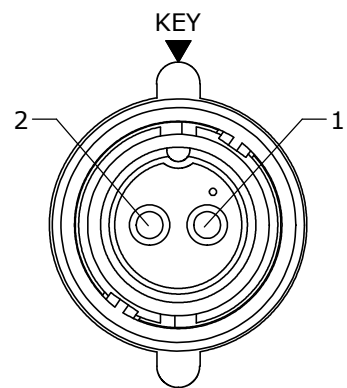
| ASS'Y P/N | COUPLING RING COLOR |
|------------------|---------------------|
| 3182-XPG-5XXWCC1 | WHITE |
| 3182-XPG-5XXWCC2 | RED |
| 3182-XPG-5XXWCC3 | BLUE |
| 3182-XPG-5XXWCC4 | LIGHT GREY |
| 3182-XPG-5XXWCC5 | YELLOW |
| 3182-XPG-5XXWCC6 | MAROON |
| 3182-XPG-5XXWCC7 | GREEN |

| KIT PART NO. | NO. OF CONTACTS |
|---------------|-----------------|
| 3182-2PG-5XXW | (2)-#12 |
| 3182-3PG-5XXW | (3)-#12 |

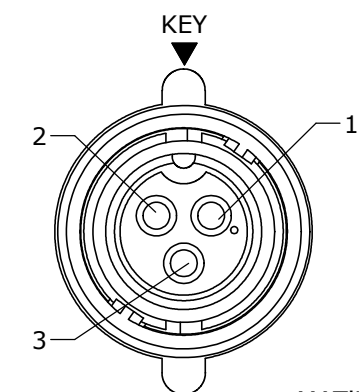
GROMMET SIZE SEE LIST

| KIT PART NO. | GROMMET FOR CABLE | "X" DIM. |
|---------------|---|-----------------|
| 3182-XPG-515W | .156 I.D. FOR CABLE .15-.17 O.D. [3.8-4.3mm] | Ø 0.77 [19.6mm] |
| 3182-XPG-518W | .187 I.D. FOR CABLE .18-.20 O.D. [4.6-5.1mm] | Ø 0.77 [19.6mm] |
| 3182-2PG-521W | .225 I.D. FOR CABLE .21-.23 O.D. [5.3-5.8mm] | Ø 0.77 [19.6mm] |
| 3182-2PG-524W | .250 I.D. FOR CABLE .24-.27 O.D. [6.1-6.8mm] | Ø 0.77 [19.6mm] |
| 3182-XPG-528W | .285 I.D. FOR CABLE .28-.29 O.D. [7.1-7.4mm] | Ø 0.77 [19.6mm] |
| 3182-XPG-530W | .312 I.D. FOR CABLE .30-.32 O.D. [7.6-8.1mm] | Ø 0.77 [19.6mm] |
| 3182-XPG-535W | .375 I.D. FOR CABLE .35-.40 O.D. [8.9-10.2mm] | Ø 0.83 [21.1mm] |

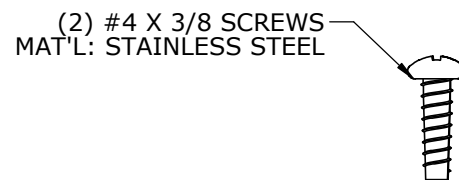
NO. OF CONTACT



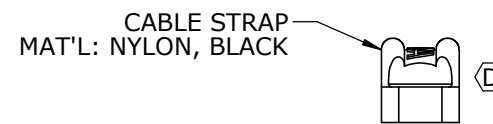
FACE VIEW
3182-2PG-5XXW



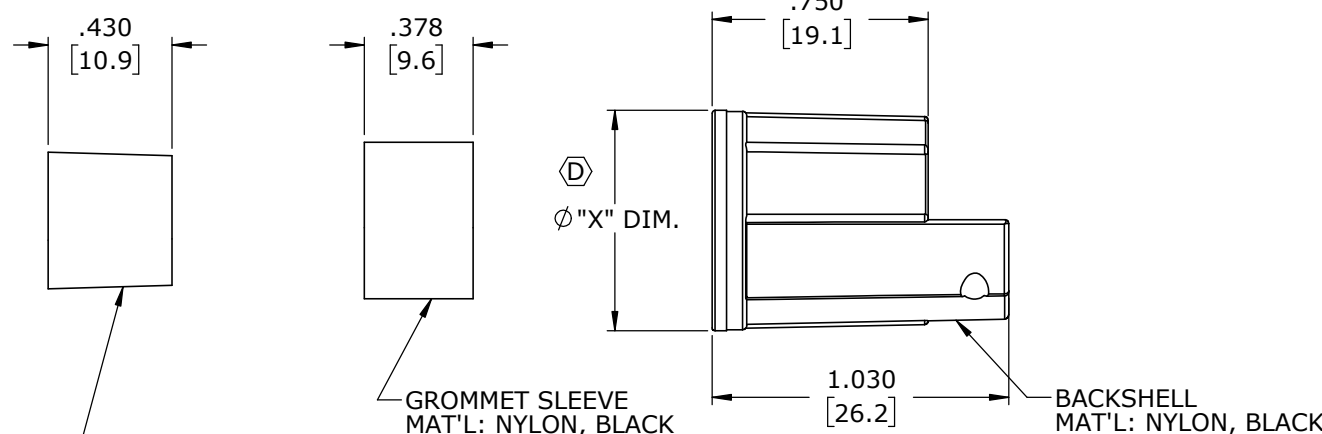
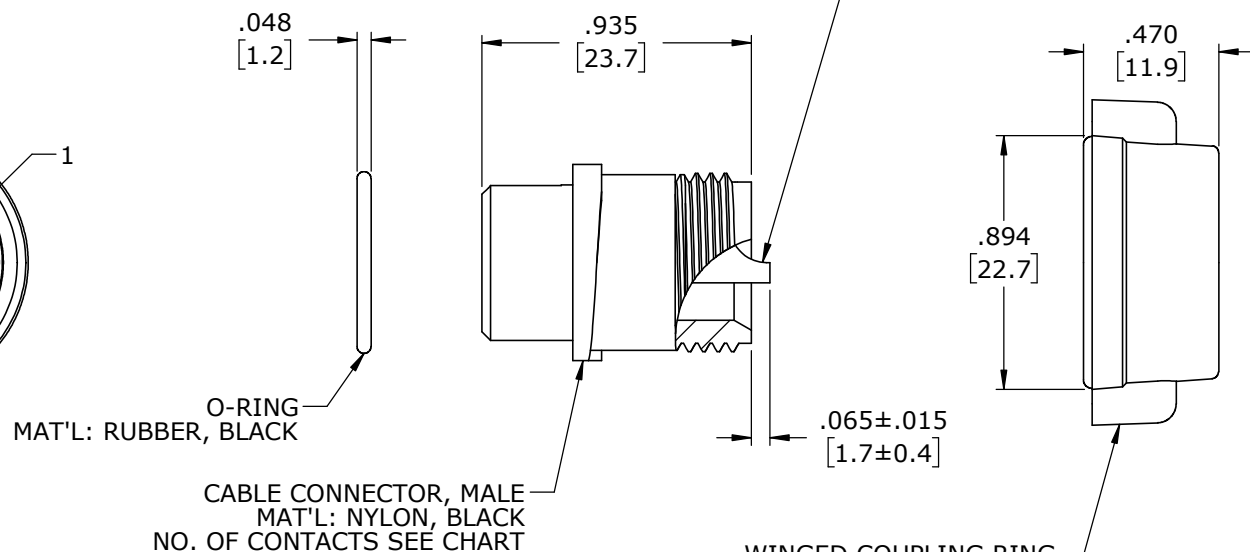
FACE VIEW
3182-3PG-5XXW



(2) #4 X 3/8 SCREWS
MAT'L: STAINLESS STEEL

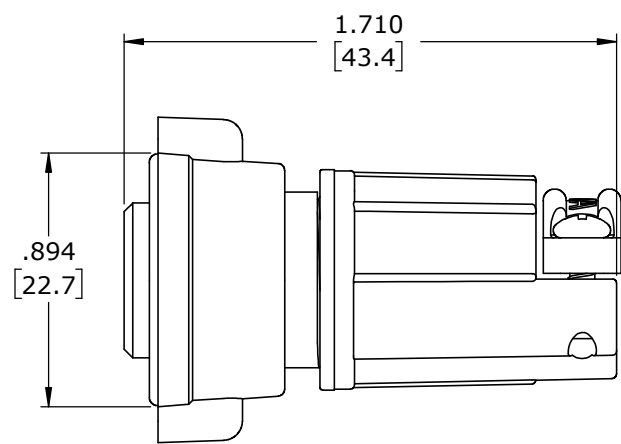


CABLE STRAP
MAT'L: NYLON, BLACK



GROMMET MAT'L: RUBBER, BLACK

| P/N'S: | I.D. | FOR CABLES | O.D. |
|---------------|------|------------|--------------------|
| 3182-XPG-515W | .156 | .15-.17 | [3.8-4.3mm] O.D.) |
| 3182-XPG-518W | .187 | .18-.20 | [4.6-5.1mm] O.D.) |
| 3182-XPG-521W | .225 | .21-.23 | [5.3-5.8mm] O.D.) |
| 3182-XPG-524W | .250 | .24-.27 | [6.1-6.8mm] O.D.) |
| 3182-XPG-528W | .285 | .28-.29 | [7.1-7.4mm] O.D.) |
| 3182-XPG-530W | .312 | .30-.32 | [7.6-8.1mm] O.D.) |
| 3182-XPG-535W | .375 | .35-.40 | [8.9-10.2mm] O.D.) |



ASSEMBLED VIEW
FOR CUSTOMER REFERENCE ONLY

DIMENSIONS IN BRACKETS [] ARE IN MILLIMETERS

CUSTOMER APPROVAL

THIS DOCUMENT CONTAINS CONFIDENTIAL INFORMATION PROPRIETARY TO CONXALL CORPORATION. ANY REPRODUCTION, DISCLOSURE, OR USE OF THIS DOCUMENT /INFORMATION IS EXPRESSLY PROHIBITED UNLESS AUTHORIZED IN WRITING BY CONXALL CORPORATION.

APPROVED BY: _____
 DATE: _____

| REV. | INIT. | DATE | DESCRIPTION |
|------|-------|----------|--|
| D | AN | 03-22-21 | COVERED TO FAMILY DRAWING. WAS 3182-2PG-5XXW. ADDED FAMILY TABLE AND COUPLING RING TABLE. ADDED 3182-XPG-535W AND "X" DIM. TO CHART, UPDATED STRAP STYLE. PER ECR 9543 |
| C | MA | 06-12-19 | CONTACTS HEIGHT WAS .089 ±.010. .935 WAS .930. REVISED NOTE 3 PER ECR 9218-1 |
| B | BZ | 09-02-10 | ADDED WING DIMENSION TO COUPLING RING PER DOR 10-E149SL |
| A | BZ | 06-24-10 | DRAWING CREATED PER DOR 10-E149SL |

| | | |
|--|--|--|
| ALL INFORMATION ILLUSTRATED IS THE PROPERTY OF "CONXALL CORPORATION". UNAUTHORIZED DUPLICATION OR DISTRIBUTION OF THIS DOCUMENT IS PROHIBITED. | ORIG. DRAWN BY: BZ DATE: 06-24-10 | |
| ALL UNITS ARE IN FEET, INCHES, FRACTIONS OF INCHES AND DECIMALS. | CHECKED BY: | |
| APPROVED BY: | SCALE: NTS SIZE: B SHEET: 1 OF 1 | TITLE: CABLE CONNECTOR (2-3) #12 PIN CONTACTS, SOLDER MULTI-CON-X W/ WINGED COUP. RING CUSTOMER: STANDARD PRODUCT |
| FILE: 3182-XPG-5XXW(CCX) | DIRECTORY: SLW | PART NUMBER: 3182-XPG-5XXW(CCX) REV D |

RoHS COMPLIANT