

CUSTOMER PRINT

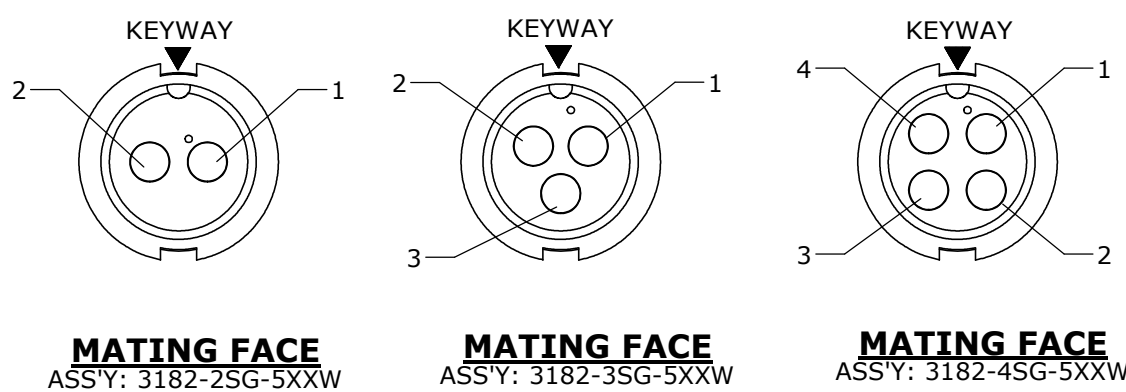
PART NUMBER: 3182-XSG-5XXW(CCX)

- NOTES:**
 1. PARTS TO BE BULK PACKED
 2. CONTACTS TO BE INSERTED INTO CONNECTOR AS SHOWN.
 3. ALL DIMENSION ARE REFERENCE ONLY EXCEPT WHEN NOTED WITH TOLERANCE

ASS'Y P/N	COUPLING RING COLOR
3182-XSG-5XXWCC1	WHITE
3182-XSG-5XXWCC2	RED
3182-XSG-5XXWCC3	BLUE
3182-XSG-5XXWCC4	LIGHT GREY
3182-XSG-5XXWCC5	YELLOW
3182-XSG-5XXWCC6	MAROON
3182-XSG-5XXWCC7	GREEN

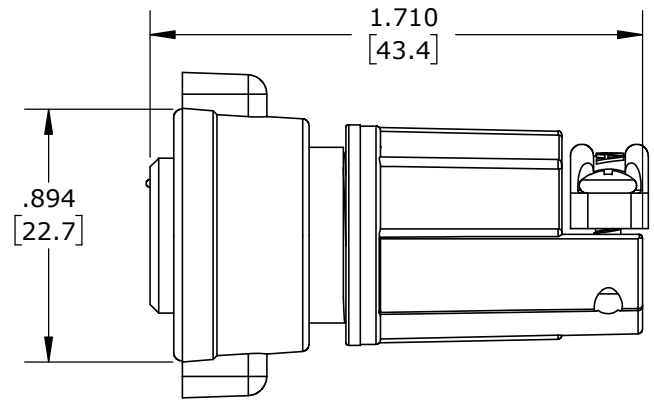
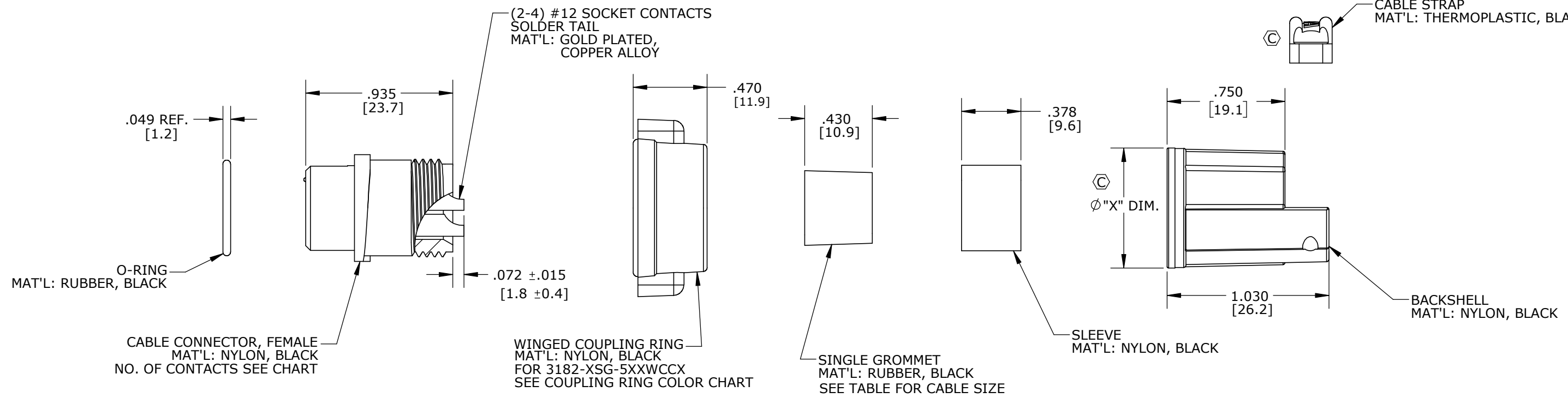
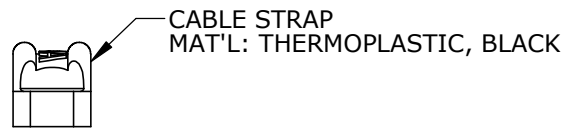
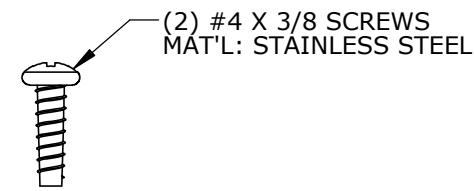
KIT PART NO.	NO. OF CONTACT
3182-2SG-5XXW	(2)-#12
3182-3SG-5XXW	(3)-#12
3182-4SG-5XXW	(4)-#12

KIT PART NO.	GROMMET FOR CABLE	"X" DIM.
3182-XSG-515W	.156 I.D. FOR CABLE .15-.17 O.D. [3.8-4.3mm]	Ø0.77 [19.6mm]
3182-XSG-518W	.187 I.D. FOR CABLE .18-.20 O.D. [4.6-5.1mm]	Ø0.77 [19.6mm]
3182-XSG-521W	.225 I.D. FOR CABLE .21-.23 O.D. [5.3-5.8mm]	Ø0.77 [19.6mm]
3182-XSG-524W	.250 I.D. FOR CABLE .24-.27 O.D. [6.1-6.8mm]	Ø0.77 [19.6mm]
3182-XSG-528W	.285 I.D. FOR CABLE .28-.29 O.D. [7.1-7.4mm]	Ø0.77 [19.6mm]
3182-XSG-530W	.312 I.D. FOR CABLE .30-.32 O.D. [7.6-8.1mm]	Ø0.77 [19.6mm]
3182-XSG-535W	.375 I.D. FOR CABLE .35-.40 O.D. [8.9-10.2mm]	Ø0.83 [21.1mm]



GROMMET SIZE SEE LIST

NO. OF CONTACTS



SHOWN ASSEMBLED KIT FOR CUSTOMER REFERENCE ONLY

DIMENSIONS IN BRACKET [] ARE METRIC.

RoHS COMPLIANT

C	AN	03-22-21	CONVERTED TO FAMILY DRAWING, WAS 3182-2SG-5XXW, ADDED FAMILY P/N TABLE & COUPLING RING TABLE, ADDED 3182-XSG-535W, "X" DIM. TO CHART, UPDATED STRAP STYLE. PER ECR 9543
B	MA	06-07-19	CONTACT HEIGHT WAS .089 ±.010, .935 WAS .930, REVISED NOTE 3 PER ECR 9218-1
A	BZ	06-30-10	DRAWING CREATED PER DOR 10-E149SL
REV.	INIT.	DATE	DESCRIPTION
	BZ	06-24-10	ORIG. DRAWN BY: DATE: 06-24-10
ALL INFORMATION ILLUSTRATED IS THE PROPERTY OF CONXALL CORPORATION. UNAUTHORIZED DUPLICATION OR DISTRIBUTION OF THIS DOCUMENT IS PROHIBITED.			<p>601 E. WILDWOOD VILLA PARK, IL 60181</p>
ALL UNITS ARE IN FEET, INCHES, FRACTION OF INCHES AND DECIMALS.			
APPROVED BY:		TITLE: CONNECTOR ASSEMBLY KIT (2-4) #12 SOCKET CONTACTS, SOLDER MULTI-CON-X W/ WINGED COUP. RING	
SCALE	SIZE	SHEET	CUSTOMER: STANDARD PRODUCT
NTS	B	1 OF 1	
FILE:	DIRECTORY:	PART	NUMBER: 3182-XSG-5XXW(CCX)
3182-XSG-5XXW(CCX)	SLW	REV	c