

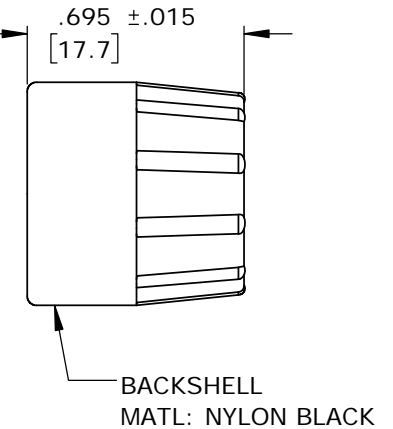
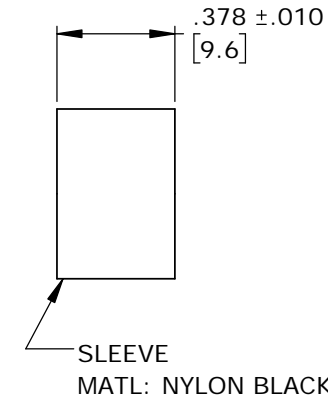
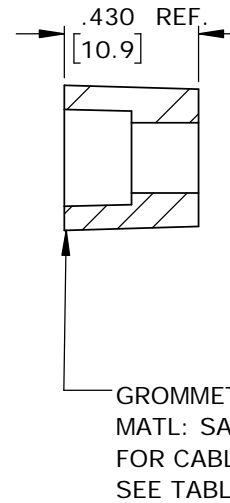
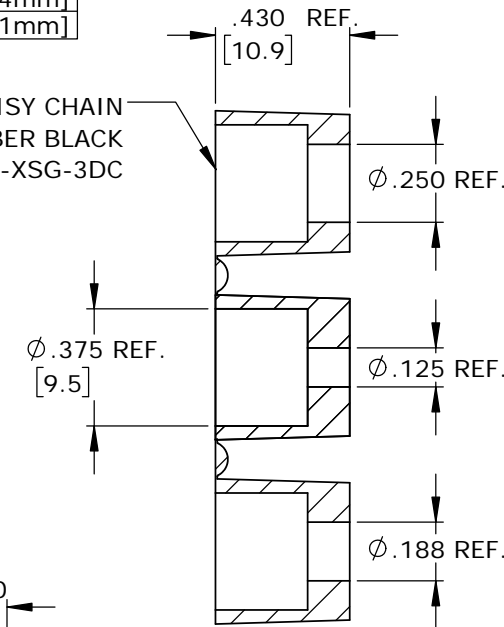
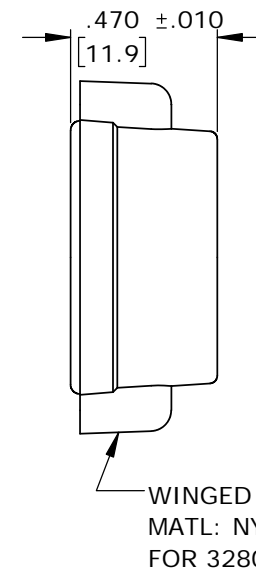
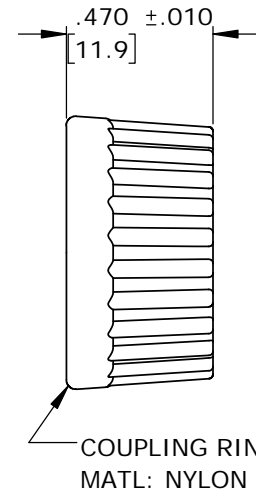
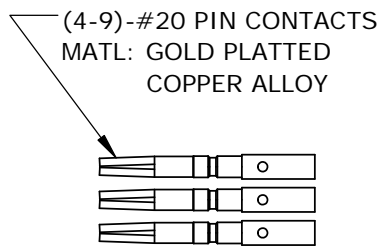
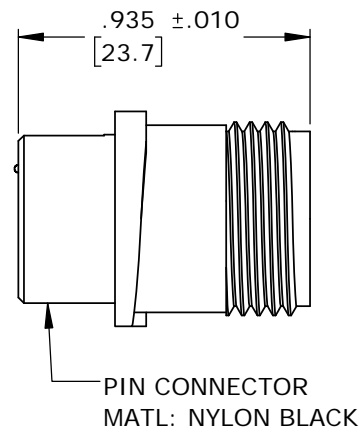
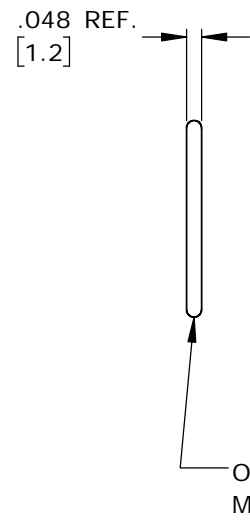
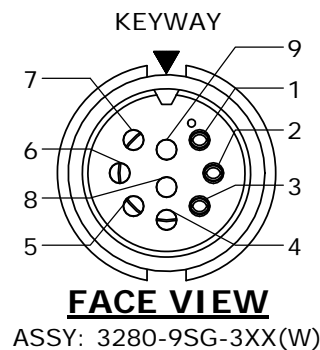
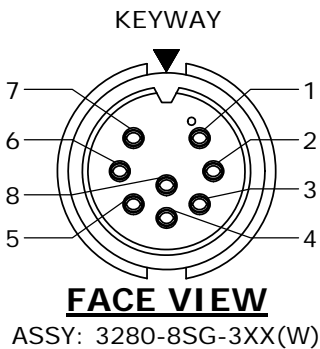
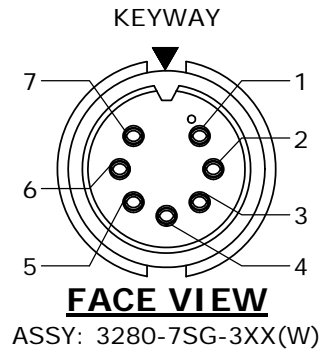
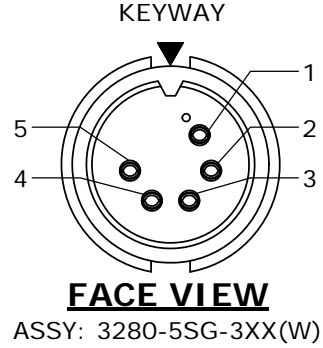
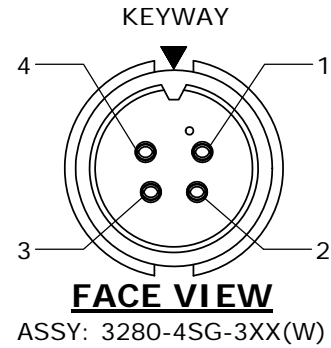
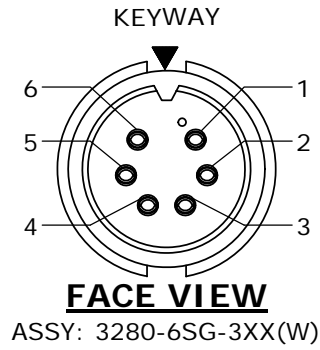
CUSTOMER PRINT

PART NUMBER: 3280-XSG-300(W)

- NOTES:**
- PARTS TO BE BULK PACKED.
  - ALL DIMENSIONS ARE REFERENCE EXCEPT WITH A TOLERANCE.

CONN. KIT P/N	GROMMET SIZE
3280-XSG-3DC	DAISY CHAIN
3280-XSG-315	CABLE O.D. .15-.17 [3.8-4.3mm]
3280-XSG-318	CABLE O.D. .18-.20 [4.6-5.1mm]
3280-XSG-321	CABLE O.D. .21-.23 [5.3-5.8mm]
3280-XSG-324	CABLE O.D. .24-.27 [6.1-6.9mm]
3280-XSG-328	CABLE O.D. .28-.29 [7.1-7.4mm]
3280-XSG-330	CABLE O.D. .30-.32 [7.6-8.1mm]

CONN. KIT P/N	NO. OF CONTACTS	INSERT P/N
3280-4SG-3XX	(4)-#20	4289-4
3280-5SG-3XX	(5)-#20	4289-5
3280-6SG-3XX	(6)-#20	4289-6
3280-7SG-3XX	(7)-#20	4289-7
3280-8SG-3XX	(8)-#20	4289-8
3280-9SG-3XX	(9)-#20	4289-9
3280-4SG-3XXW	(4)-#20	4289-4
3280-5SG-3XXW	(5)-#20	4289-5
3280-6SG-3XXW	(6)-#20	4289-6
3280-7SG-3XXW	(7)-#20	4289-7
3280-8SG-3XXW	(8)-#20	4289-8
3280-9SG-3XXW	(9)-#20	4289-9
3280-XSG-3XX		



GROMMET SIZE FOR SINGLE GROMMET, OR "DC" FOR DAISY CHAIN

NO. OF CONTACTS

**CUSTOMER APPROVAL**

THIS DOCUMENT CONTAINS CONFIDENTIAL INFORMATION PROPRIETARY TO CONXALL CORPORATION. ANY REPRODUCTION, DISCLOSURE, OR USE OF THIS DOCUMENT /INFORMATION IS EXPRESSLY PROHIBITED UNLESS AUTHORIZED IN WRITING BY CONXALL CORPORATION.

APPROVED BY: \_\_\_\_\_

DATE: \_\_\_\_\_

DIMENSIONS IN BRACKETS [ ] ARE METRIC

**RoHS COMPLIANT**

A	SS	07-20-18	DRAWING CREATED PER DOR 18-E149SL #15
REV.	INIT.	DATE	DESCRIPTION
	SS	07-20-18	ALL INFORMATION ILLUSTRATED IS THE PROPERTY OF "CONXALL CORPORATION". UNAUTHORIZED DUPLICATION OR DISTRIBUTION OF THIS DOCUMENT IS PROHIBITED.
APPROVED BY:			<p>601 E. WILDWOOD VILLA PARK, IL 60181</p>
SCALE	SIZE	SHEET	
NTS	B	1 OF 1	TITLE: CONNECTOR KIT (4-9)-#20 SOCKET CONTACT (CRIMP) MULTI-CON-X
FILE:	DIRECTORY:	PART NUMBER:	CUSTOMER: STANDARD PRODUCT
3280-XSG-3XX	SLW	3280-XSG-3XX(W)	REV A