

CUSTOMER PRINT

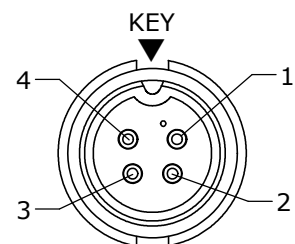
PART NUMBER: 3282-XPG-5XXW(CCX)

- NOTES:**
1. ALL PART TO BE BULK PACKED
 2. CONTACTS ARE ASSEMBLED INTO CONNECTOR AS SHOWN
 3. ALL DIMENSION ARE REFERENCE EXCEPT THOSE WITH A TOLERANCE

ASS'Y P/N	COUPLING RING COLOR
3282-XPG-5XXWCC1	WHITE
3282-XPG-5XXWCC2	RED
3282-XPG-5XXWCC3	BLUE
3282-XPG-5XXWCC4	LIGHT GREY
3282-XPG-5XXWCC5	YELLOW
3282-XPG-5XXWCC6	MAROON
3282-XPG-5XXWCC7	GREEN

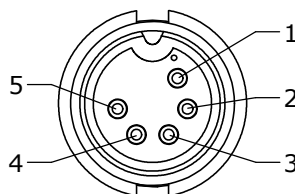
CONN. KIT P/N	NO. OF CONTACTS
3282-4PG-5XXW	4-#20
3282-5PG-5XXW	5-#20
3282-6PG-5XXW	6-#20
3282-7PG-5XXW	7-#20
3282-8PG-5XXW	8-#20
3282-9PG-5XXW	9-#20

CONN. KIT P/N	GROMMET FOR CABLE	"X" DIM.
3282-XPG-515W	.156 I.D. FOR CABLE .15-.17 O.D. [3.8-4.3mm]	Ø0.77 [19.6mm]
3282-XPG-518W	.187 I.D. FOR CABLE .18-.20 O.D. [4.6-5.1mm]	Ø0.77 [19.6mm]
3282-XPG-521W	.225 I.D. FOR CABLE .21-.23 O.D. [5.3-5.8mm]	Ø0.77 [19.6mm]
3282-XPG-524W	.250 I.D. FOR CABLE .24-.27 O.D. [6.1-6.8mm]	Ø0.77 [19.6mm]
3282-XPG-528W	.285 I.D. FOR CABLE .28-.29 O.D. [7.1-7.4mm]	Ø0.77 [19.6mm]
3282-XPG-530W	.312 I.D. FOR CABLE .30-.32 O.D. [7.6-8.1mm]	Ø0.77 [19.6mm]
3282-XPG-535W	.375 I.D. FOR CABLE .35-.40 O.D. [8.9-10.2mm]	Ø0.83 [21.1mm]



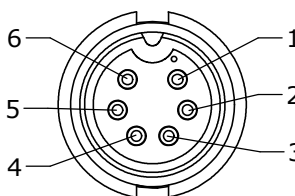
FACE VIEW

P/N: 3282-4PG-5XXW



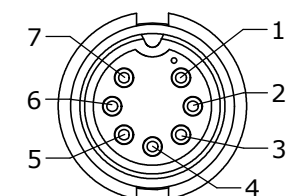
FACE VIEW

P/N: 3282-5PG-5XXW



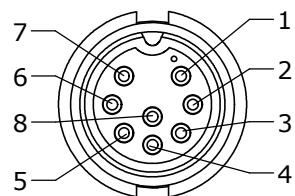
FACE VIEW

P/N: 3282-6PG-5XXW



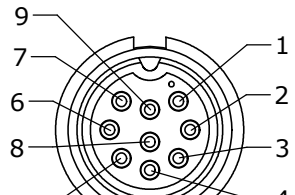
FACE VIEW

P/N: 3282-7PG-5XXW



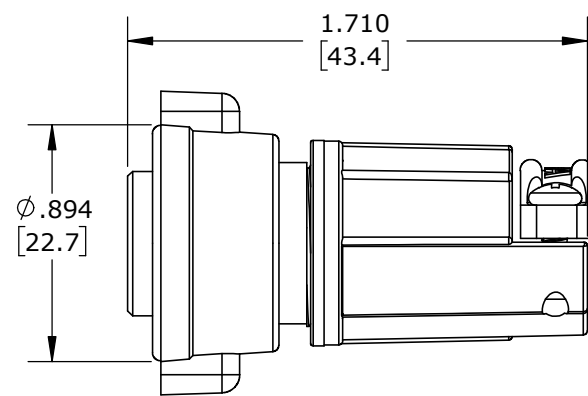
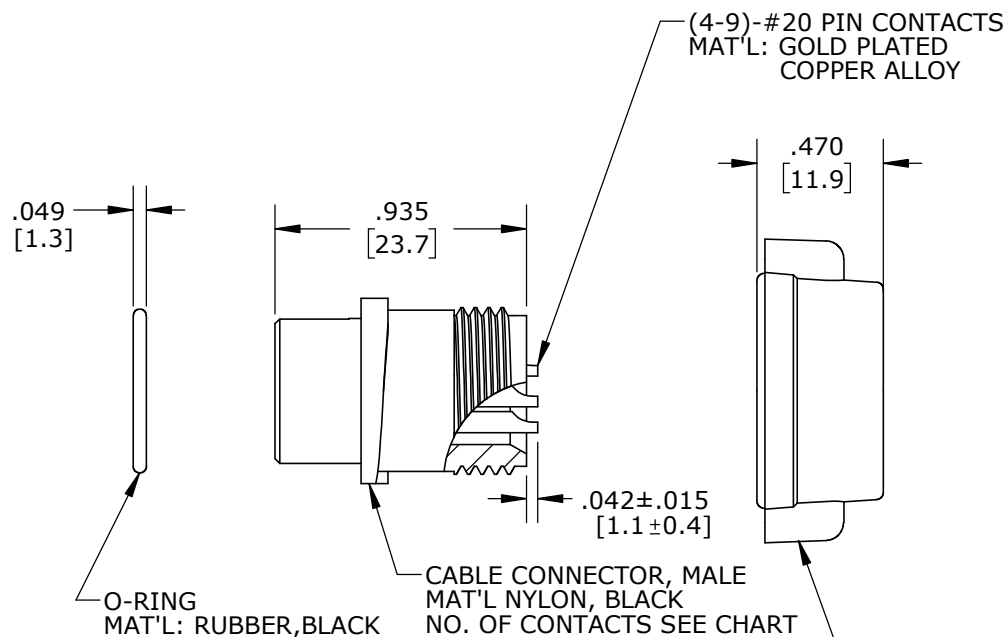
FACE VIEW

P/N: 3282-8PG-5XXW



FACE VIEW

P/N: 3282-9PG-5XXW



ASSEMBLED VIEW
FOR CUSTOMER REFERENCE

DIMENSIONS IN BRACKETS [] ARE METRIC

GROMMET SIZE
SEE LIST

NO OF CONTACTS

(2) #4 X 3/8
H-L SELF TAPPING SCREWS
MAT'L: STAINLESS STEEL

STRAP
MAT'L NYLON, BLACK

.430 [10.9]

.378 [9.6]

SINGLE GROMMET
MAT'L: RUBBER, BLACK
FOR CABLE O.D.
SEE TABLE

SLEEVE
MAT'L: NYLON, BLACK

Ø "X" DIM

.750 [19.1]

1.030 [26.2]

BACKSHELL
MAT'L: NYLON, BLACK

CUSTOMER APPROVAL

THIS DOCUMENT CONTAINS CONFIDENTIAL INFORMATION PROPRIETARY TO CONXALL CORPORATION. ANY REPRODUCTION, DISCLOSURE, OR USE OF THIS DOCUMENT /INFORMATION IS EXPRESSLY PROHIBITED UNLESS AUTHORIZED IN WRITING BY CONXALL CORPORATION.

APPROVED BY: _____
DATE: _____

RoHS COMPLIANT

A	AN	03-17-21	DRAWING CREATED PER DOR 15-E253SL #39	
REV.	INIT.	DATE	DESCRIPTION	
	AN	02-23-21	ORIG. DRAWN BY: AN DATE: 02-23-21 CHECKED BY: _____ APPROVED BY: _____ SCALE: NTS SIZE: B SHEET: 1 OF 1 FILE: 3282-XPG-5XXW(CCX) DIRECTORY: SLW	
ALL INFORMATION ILLUSTRATED IS THE PROPERTY OF "CONXALL CORPORATION". UNAUTHORIZED DUPLICATION OR DISTRIBUTION OF THIS DOCUMENT IS PROHIBITED. ALL UNITS ARE IN FEET, INCHES, FRACTION OF INCHES AND DECIMALS. - CRITICAL CHARACTERISTIC FLAG PER SPEC. XXXX			TITLE: CONNECTOR ASS'Y KIT (4-9) #20 PIN CONTACTS (SOLDER) MULTI-CON-X, W/WINGED COUPLING NUT CUSTOMER: STANDARD PRODUCT PART NUMBER: 3282-XPG-5XXW(CCX)	
			601 E. WILDWOOD VILLA PARK, IL 60181 conxall REV A	