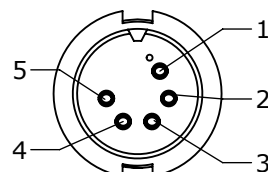
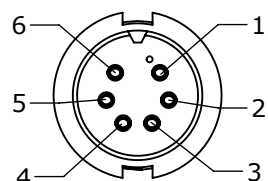


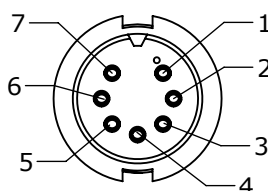
FACE VIEW
3282-4SG-3XX



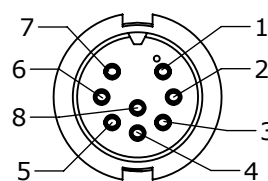
FACE VIEW
3282-5SG-3XX



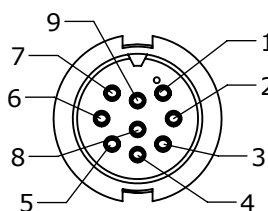
FACE VIEW
3282-6SG-3XX



FACE VIEW
3282-7SG-3XX



FACE VIEW
3282-8SG-3XX

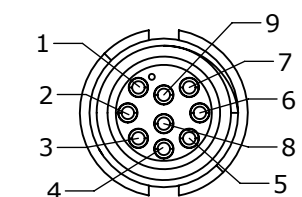
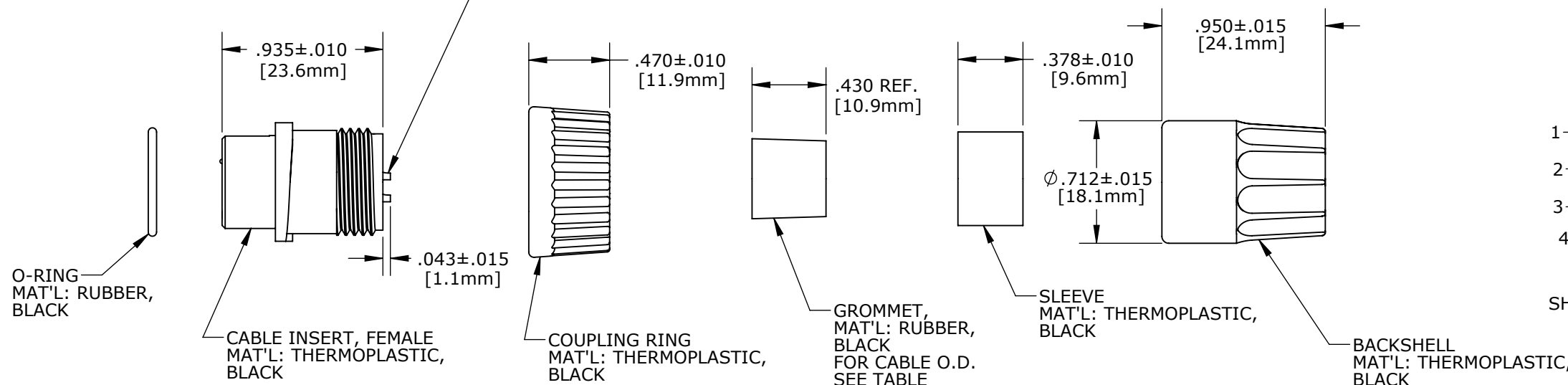
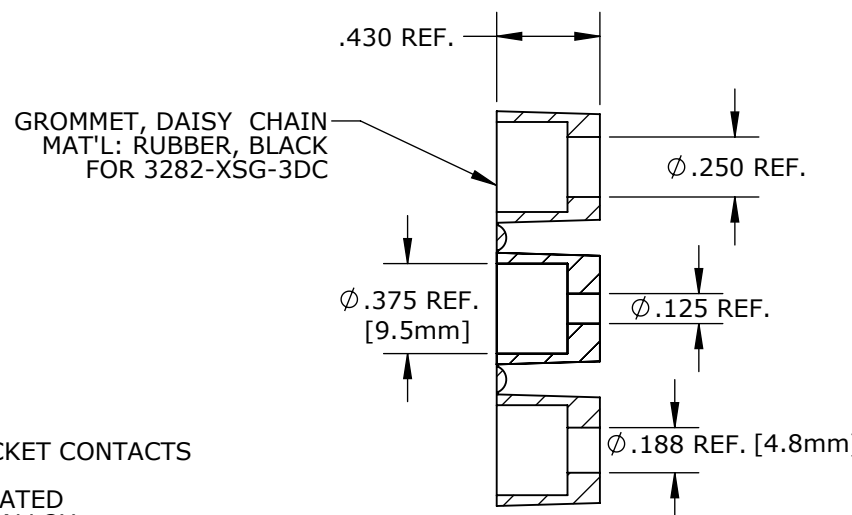


FACE VIEW
3282-9SG-3XX

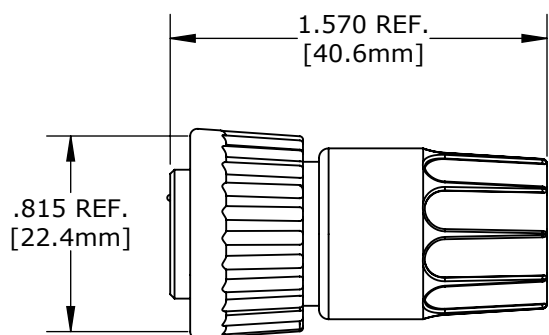
- NOTES:
 1. PARTS ARE BULK PACKED.
 2. CONTACTS ARE INSTALLED INTO CONNECTOR
 3. SEE DRAWING HPMUSTD FOR HOLE PATTERN

KIT PART NO.	GROMMET SIZE TO FIT CABLE O.D.
3282-XSG-318	0.18 - 0.20 [4.6-5.1mm]
3282-XSG-321	0.21 - 0.23 [5.3-5.8mm]
3282-XSG-324	0.24 - 0.27 [6.1-6.8mm]
3282-XSG-328	0.28 - 0.29 [7.1-7.4mm]
3282-XSG-330	0.30 - 0.32 [7.6-8.1mm]
3282-XSG-3DC	0.12-0.17-0.24 [3.0-4.3-6.1mm]

KIT P/N	NO OF CONTACTS
3282-4SG-3XX	(4) - #20
3282-5SG-3XX	(5) - #20
3282-6SG-3XX	(6) - #20
3282-7SG-3XX	(7) - #20
3282-8SG-3XX	(8) - #20
3282-9SG-3XX	(9) - #20
3282-XSG-3XX	



WIRE VIEW
SHOWN 3282-9SG-3XX



CUSTOMER APPROVAL

THIS DOCUMENT CONTAINS CONFIDENTIAL INFORMATION PROPRIETARY TO CONXALL CORPORATION. ANY REPRODUCTION, DISCLOSURE, OR USE OF THIS DOCUMENT /INFORMATION IS EXPRESSLY PROHIBITED UNLESS AUTHORIZED IN WRITING BY CONXALL CORPORATION.

APPROVED BY: _____
 DATE: _____

DIMENSIONS IN BRACKETS [] ARE METRIC.

RoHS COMPLIANT

B	AN	02-16-16	CONVERTED TO FAMILY DRAWING, SUPERSEDED 3282-9SG-3XX. PER DOR 16-E149SL #4
REV.	INIT.	DATE	DESCRIPTION
	AN	02-11-16	ORIG. DRAWN BY: AN DATE: 02-11-16
ALL INFORMATION ILLUSTRATED IS THE PROPERTY OF CONXALL CORPORATION. UNAUTHORIZED DUPLICATION OR DISTRIBUTION OF THIS DOCUMENT IS PROHIBITED.			<p>601 E. WILDWOOD VILLA PARK, IL 60181</p>
ALL UNITS ARE IN FEET, INCHES, FRACTION OF INCHES AND DECIMALS.			
APPROVED BY:		TITLE: CABLE CONNECTOR KIT #20 SOCKET CONTACTS (SOLDER) MULTI-CON-X	
SCALE: NTS	SIZE: B	SHEET: 1 OF 1	CUSTOMER: STANDARD PRODUCT
FILE: 3282-XSG-3XX_C	DIRECTORY: SLW	PART NUMBER: 3282-XSG-3XX_C	REV: B