

CUSTOMER PRINT

PART NUMBER: 3380-XSG-5XX(CCX)

NOTES:

1. ALL PART TO BE BULK PACKED.
2. CONTACT SUPPLIED UNASSEMBLED.
3. ALL DIMENSIONS ARE REFERENCE.

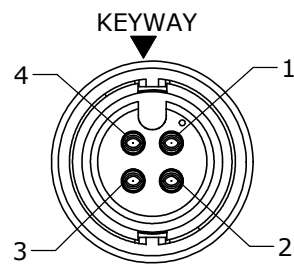
ASS'Y P/N	COUPLING RING COLOR
3280-XSG-5XXCC1	WHITE
3280-XSG-5XXCC2	RED
3280-XSG-5XXCC3	BLUE
3280-XSG-5XXCC4	LIGHT GREY
3280-XSG-5XXCC5	YELLOW
3280-XSG-5XXCC6	MAROON
3280-XSG-5XXCC7	GREEN

KIT P/N	NO/ OF CONTACTS
3380-4SG-5XX	(4) - #16
3380-5SG-5XX	(5) - #16
3380-6SG-5XX	(6) - #16

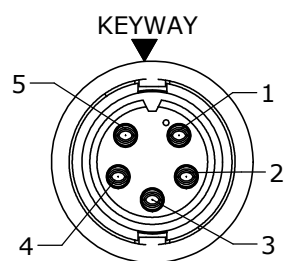
CONN. KIT P/N	GROMMET FOR CABLE	"X" DIM.
3380-XSG-515	.156 I.D. FOR CABLE .15-.17 O.D. [3.8-4.3mm]	Ø 0.77 [19.6mm]
3380-XSG-518	.187 I.D. FOR CABLE .18-.20 O.D. [4.6-5.1mm]	Ø 0.77 [19.6mm]
3380-XSG-521	.225 I.D. FOR CABLE .21-.23 O.D. [5.3-5.8mm]	Ø 0.77 [19.6mm]
3380-XSG-524	.250 I.D. FOR CABLE .24-.27 O.D. [6.1-6.8mm]	Ø 0.77 [19.6mm]
3380-XSG-528	.285 I.D. FOR CABLE .28-.29 O.D. [7.1-7.4mm]	Ø 0.77 [19.6mm]
3380-XSG-530	.312 I.D. FOR CABLE .30-.32 O.D. [7.6-8.1mm]	Ø 0.77 [19.6mm]
3380-XSG-535	.375 I.D. FOR CABLE .35-.40 O.D. [8.9-10.2mm]	Ø 0.83 [21.1mm]

GROMMET SIZE SEE TABLE

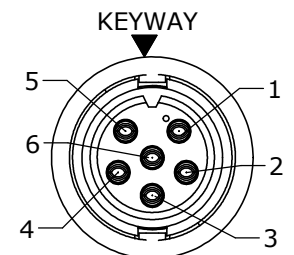
NO. OF CONTACTS



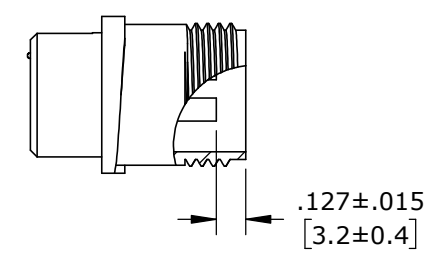
FACE VIEW
ASSY: 3380-4SG-5XX



FACE VIEW
ASSY: 3380-5SG-5XX

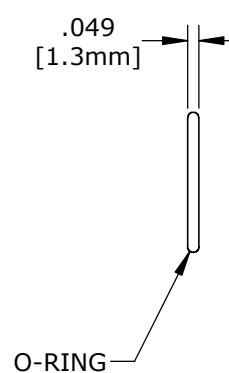


FACE VIEW
ASSY: 3380-6SG-5XX

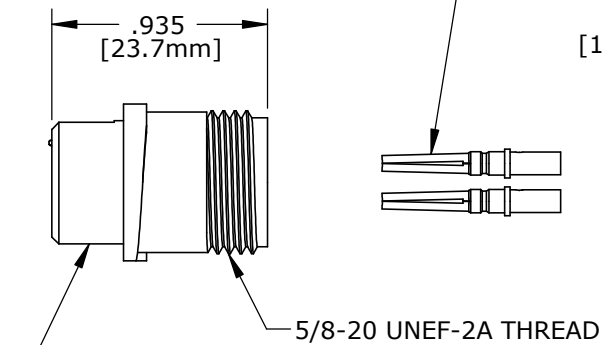


CONTACT HEIGHT
FOR CUSTOMER REFERENCE

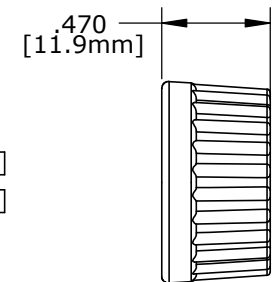
(4-6) #16 SOCKET CONTACTS
CRIMP TAIL
MAT'L: GOLD PLATED
COPPER ALLOY



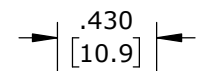
O-RING



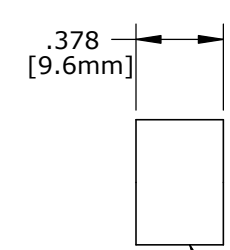
CABLE CONNECTOR, FEMALE
MAT'L: NYLON, BLACK
NO. OF CONTACTS SEE CHART



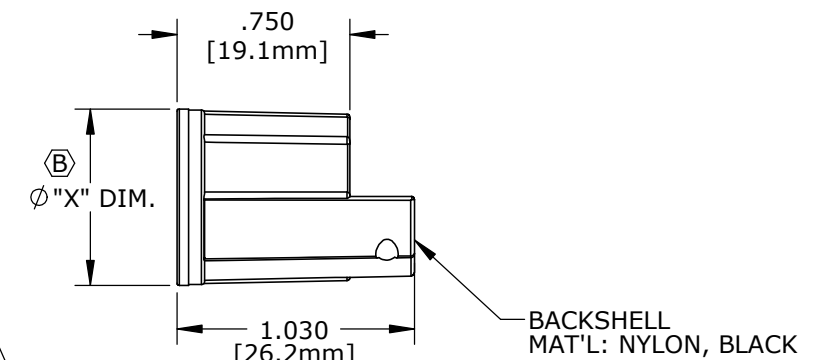
COUPLING RING
MAT'L: NYLON, BLACK
FOR 3380-XSG-5XXCCX
SEE COUPLING RING COLOR CHART



SINGLE GROMMET
MAT'L: RUBBER, BLACK
SEE TABLE FOR CABLE SIZE



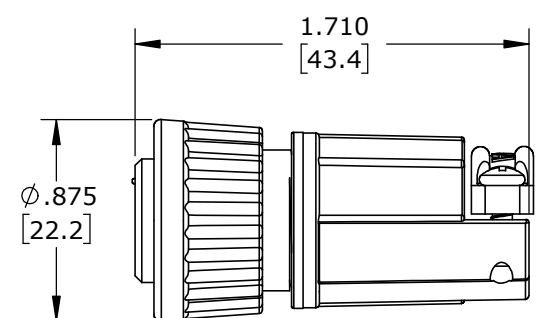
GROMMET SLEEVE
MAT'L: NYLON, BLACK



(2) #4 X 3/8 SCREWS
MAT'L: STAINLESS STEEL

CABLE STRAP
MAT'L: NYLON, BLACK

BACKSHELL
MAT'L: NYLON, BLACK



SHOWN ASSEMBLED KIT
FOR CUSTOMER REFERENCE ONLY

CUSTOMER APPROVAL

THIS DOCUMENT CONTAINS CONFIDENTIAL INFORMATION PROPRIETARY TO CONXALL CORPORATION. ANY REPRODUCTION, DISCLOSURE, OR USE OF THIS DOCUMENT /INFORMATION IS EXPRESSLY PROHIBITED UNLESS AUTHORIZED IN WRITING BY CONXALL CORPORATION.

APPROVED BY: _____

DATE: _____

B	AN	03-22-21	DRAWING P/N WAS 3380-XSG-5XX. ADDED COUPLING RING TABLE, ADDED 3380-XSG-535 AND "X" DIM. TO CHART, ADDED CONTACT HEIGHT VIEW, UPDATED STRAP STYLE. PER ECR 9543
A	AN	03-04-11	DRAWING CREATED PER DOR 11-E149SL
REV.	INIT.	DATE	DESCRIPTION
	AN	03-04-11	ORIG. DRAWN BY: AN DATE: 03-04-11
			CHECKED BY:
			APPROVED BY:
			TITLE: CABLE CONNECTOR KIT (4-6) #16 SOCKET CONTACTS MULTI-CON-X STANDARD PRODUCT
			CUSTOMER: STANDARD PRODUCT
SCALE: NTS		SIZE: B	SHEET: 1 OF 1
FILE: 3380-XSG-5XX(CCX)		DIRECTORY: SLW	
			PART NUMBER: 3380-XSG-5XX(CCX)
			REV: B

DIMENSIONS IN BRACKETS [] ARE METRIC

RoHS COMPLIANT

CRITICAL CHARACTERISTIC FLAG PER SPEC. XXXX