

CUSTOMER PRINT

PART NUMBER: 3380-XSG-5XXW(CCX)

- NOTES:
 1. ALL PART TO BE BULK PACKED.
 2. CONTACT SUPPLIED UNASSEMBLED.
 3. ALL DIMENSIONS ARE REFERENCE.

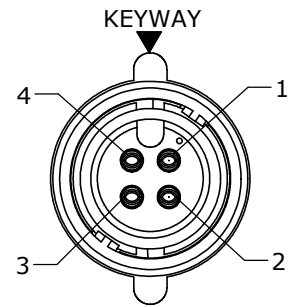
ASS'Y P/N	COUPLING RING COLOR
3280-XSG-5XXWCC1	WHITE
3280-XSG-5XXWCC2	RED
3280-XSG-5XXWCC3	BLUE
3280-XSG-5XXWCC4	LIGHT GREY
3280-XSG-5XXWCC5	YELLOW
3280-XSG-5XXWCC6	MAROON
3280-XSG-5XXWCC7	GREEN

KIT P/N	NO/ OF CONTACTS
3380-4SG-5XXW	(4) - #16
3380-5SG-5XXW	(5) - #16
3380-6SG-5XXW	(6) - #16

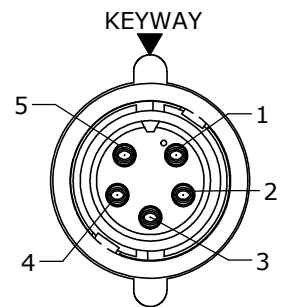
CONN. KIT P/N	GROMMET FOR CABLE	"X" DIM.
3380-XSG-515W	.156 I.D. FOR CABLE .15-.17 O.D. [3.8-4.3mm]	Ø0.77 [19.6mm]
3380-XSG-518W	.187 I.D. FOR CABLE .18-.20 O.D. [4.6-5.1mm]	Ø0.77 [19.6mm]
3380-XSG-521W	.225 I.D. FOR CABLE .21-.23 O.D. [5.3-5.8mm]	Ø0.77 [19.6mm]
3380-XSG-524W	.250 I.D. FOR CABLE .24-.27 O.D. [6.1-6.8mm]	Ø0.77 [19.6mm]
3380-XSG-528W	.285 I.D. FOR CABLE .28-.29 O.D. [7.1-7.4mm]	Ø0.77 [19.6mm]
3380-XSG-530W	.312 I.D. FOR CABLE .30-.32 O.D. [7.6-8.1mm]	Ø0.77 [19.6mm]
3380-XSG-535W	.375 I.D. FOR CABLE .35-.40 O.D. [8.9-10.2mm]	Ø0.83 [21.1mm]

GROMMET SIZE SEE TABLE

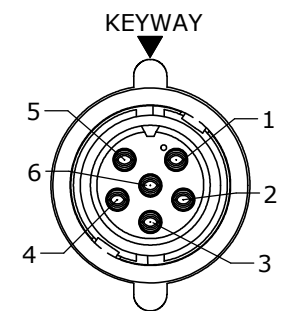
NO. OF CONTACTS



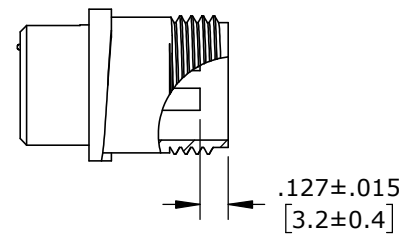
FACE VIEW
 ASSY: 3380-4SG-5XXW



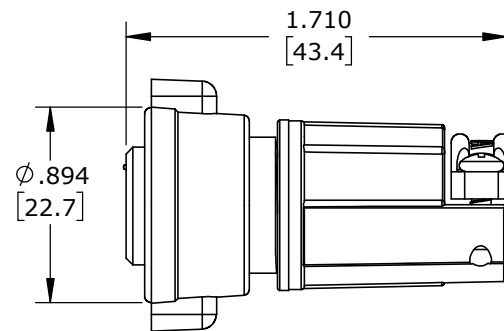
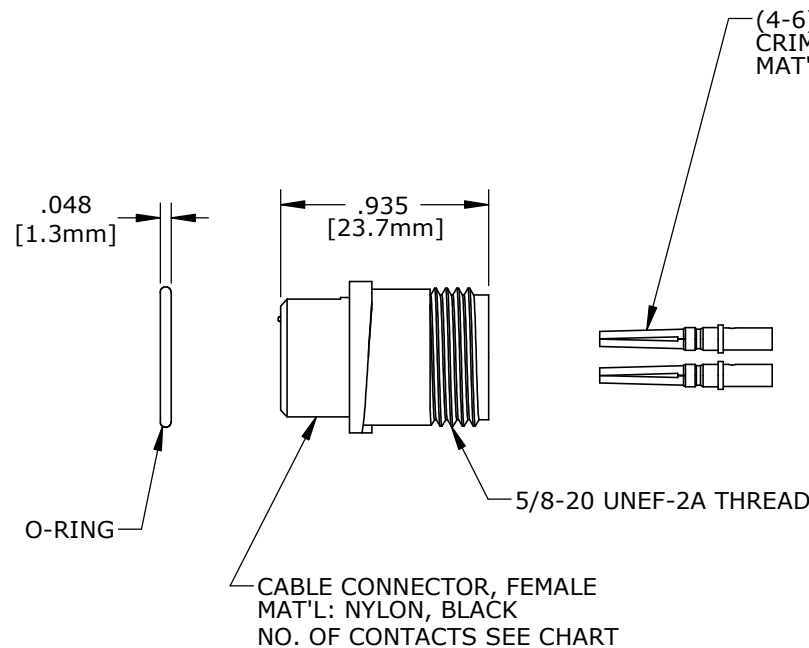
FACE VIEW
 ASSY: 3380-5SG-5XXW



FACE VIEW
 ASSY: 3380-6SG-5XXW



CONTACT HEIGHT
 FOR CUSTOMER REFERENCE



SHOWN ASSEMBLED KIT
 FOR CUSTOMER REFERENCE ONLY

CUSTOMER APPROVAL

THIS DOCUMENT CONTAINS CONFIDENTIAL INFORMATION PROPRIETARY TO CONXALL CORPORATION. ANY REPRODUCTION, DISCLOSURE, OR USE OF THIS DOCUMENT /INFORMATION IS EXPRESSLY PROHIBITED UNLESS AUTHORIZED IN WRITING BY CONXALL CORPORATION.

APPROVED BY: _____

DATE: _____

DIMENSIONS IN BRACKETS [] ARE METRIC

RoHS COMPLIANT

REV. A	INIT. AN	DATE 02-24-21	DRAWING CREATED PER DOR 15-E253SL #39	
<small>ALL INFORMATION ILLUSTRATED IS THE PROPERTY OF CONXALL CORPORATION. UNAUTHORIZED DUPLICATION OR DISTRIBUTION OF THIS DOCUMENT IS PROHIBITED.</small>			ORG. DRAWN BY: AN DATE: 02-24-21	601 E. WILDWOOD VILLA PARK, IL 60181
<small>ALL UNITS ARE IN FEET, INCHES, FRACTION OF INCHES AND DECIMALS.</small>			CHECKED BY:	
SCALE NTS	SIZE B	SHEET 1 OF 1	APPROVED BY:	CUSTOMER:
FILE: 3380-XSG-5XXW(CCX)	DIRECTORY: SLW	PART NUMBER: 3380-XSG-5XXW(CCX)	REV. A	