

- NOTES:
 1. ALL PARTS TO BE BULK PACKED
 2. CONTACTS TO BE INSTALLED INTO INSERT.
 3. SOLDER CUPS ARE FACING TO THE KEYWAY

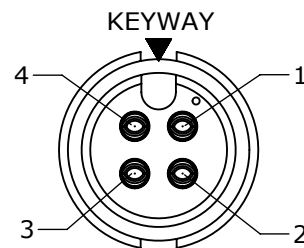
ASSY P/N	GROMMET FOR CABLE O.D.
3382-XSG-3DC	DAISY CHAIN
3382-XSG-315	0.15-0.17 [3.8-4.3mm]
3382-XSG-318	0.18-0.20 [4.6-5.1mm]
3382-XSG-321	0.21-0.23 [5.3-5.8mm]
3382-XSG-324	0.24-0.27 [6.1-6.8mm]
3382-XSG-328	0.28-0.29 [7.1-7.4mm]
3382-XSG-330	0.30-0.32 [7.6-8.1mm]

KIT P/N	NO. OF CONTACTS
3382-4SG-3XX	(4)-#16
3382-5SG-3XX	(5)-#16
3382-6SG-3XX	(6)-#16

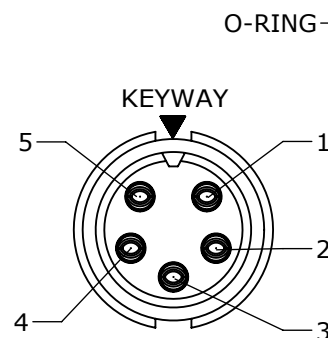
NO. OF CONTACT

NO. OF CONTACT

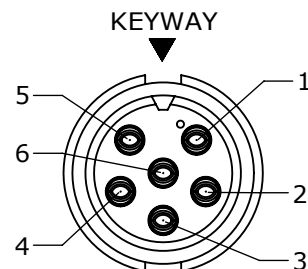
GROMMET SIZE FOR SINGLE GROMMET OR "DC" FOR DAISY CHAIN



FACE VIEW
3382-4SG-3XX



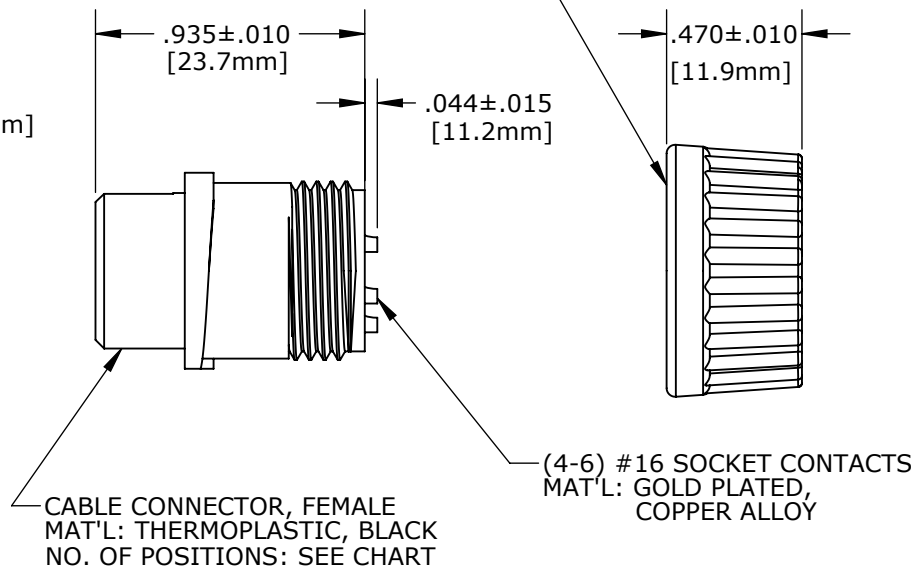
FACE VIEW
3382-5SG-3XX



FACE VIEW
3382-6SG-3XX

GROMMET, DAISY CHAIN FOR 3382-XSG-3DC
 MAT'L: RUBBER, BLACK

COUPLING RING
 MAT'L: THERMOPLASTIC, BLACK



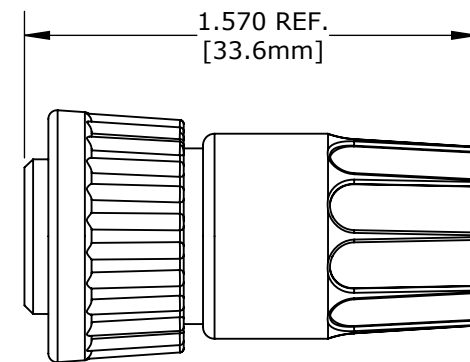
(4-6) #16 SOCKET CONTACTS
 MAT'L: GOLD PLATED, COPPER ALLOY

CABLE CONNECTOR, FEMALE
 MAT'L: THERMOPLASTIC, BLACK
 NO. OF POSITIONS: SEE CHART

GROMMET
 MAT'L: SANTOPRENE, BLACK
 GROMMET SIZE: SEE CHART

GROMMET SLEEVE
 MAT'L: THERMOPLASTIC, BLACK

BACKSHELL
 MAT'L: THERMOPLASTIC, BLACK



SHOWN ASSEMBLED KIT
 FOR CUSTOMER REFERENCE ONLY

DIMENSIONS IN BRACKET [] ARE METRIC.

CUSTOMER APPROVAL

THIS DOCUMENT CONTAINS CONFIDENTIAL INFORMATION PROPRIETARY TO CONXALL CORPORATION. ANY REPRODUCTION, DISCLOSURE, OR USE OF THIS DOCUMENT /INFORMATION IS EXPRESSLY PROHIBITED UNLESS AUTHORIZED IN WRITING BY CONXALL CORPORATION.

APPROVED BY: _____

DATE: _____

RoHS COMPLIANT

A	AN	02-15-16	DRAWING CREATED PER DOR 15-E253SL
REV.	INIT.	DATE	DESCRIPTION
	AN	02-15-16	
<small>ALL INFORMATION ILLUSTRATED IS THE PROPERTY OF "CONXALL CORPORATION". UNAUTHORIZED DUPLICATION OR DISTRIBUTION OF THIS DOCUMENT IS PROHIBITED.</small>			<p>601 E. WILDWOOD VILLA PARK, IL 60181</p>
<small>ALL UNITS ARE IN FEET, INCHES, FRACTION OF INCHES AND DECIMALS. UNLESS OTHERWISE SPECIFIED TOLERANCES: 3 PLACE DECIMALS ±.010 ANGLES ±1° FRACTIONS ±1/16</small>			
<small>△ - CRITICAL CHARACTERISTIC FLAG PER SPEC. XXXX</small>			TITLE: CABLE CONNECTOR ASSEMBLY (4-6) #16 SOCKET CONTACTS, SOLDER MULTI-CON-X CUSTOMER: STANDARD PRODUCT
FILE:	DIRECTORY:	PART NUMBER:	REV
3382-XSG-3XX	SLW	3382-XSG-3XX	A