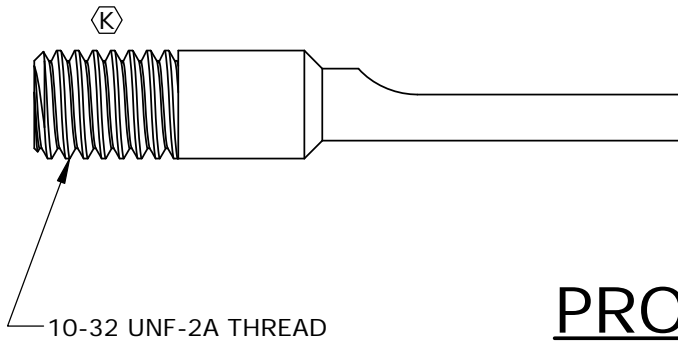
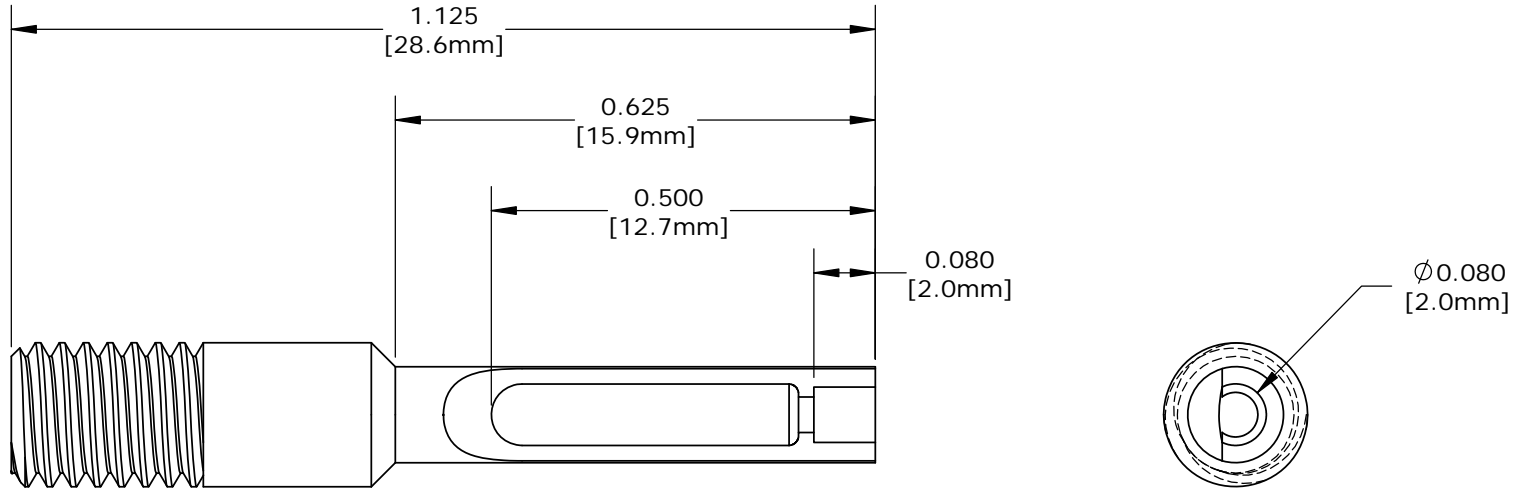


PART NUMBER: 356-20

CUSTOMER PRINT

**NOTES:**


1. MATERIAL: STAINLESS STEEL
2. ALL DIMENSION FOR REFERENCE ONLY



# PROPRIETARY

THIS DOCUMENT CONTAINS CONFIDENTIAL INFORMATION PROPRIETARY TO CONXALL CORPORATION. ANY REPRODUCTION, DISCLOSURE, OR USE OF THIS DOCUMENT /INFORMATION IS EXPRESSLY PROHIBITED UNLESS AUTHORIZED IN WRITING BY CONXALL CORPORATION.

DIMENSIONS IN BRACKETS [] ARE METRIC

K	SS	03-10-20	ADDED PROJECTED VIEW AND UPDATED MFG DRAWING PER ECR 9509						
J	SS	07-16-19	UPDATED MATERIAL FOR NOTE 1 PER ECR 9429						
H	AN	01-04-18	INSERTION BIT RIB TO TIP DIM. WAS 0.120 PER ECR 9245						
	AN	06-19-17	CREATED SHEET PER DOR 17-7819JS						
REV.	INIT.	DATE	DESCRIPTION						
<small>ALL INFORMATION ILLUSTRATED IS THE PROPERTY OF "CONXALL CORPORATION." UNAUTHORIZED DUPLICATION OR DISTRIBUTION OF THIS DOCUMENT IS PROHIBITED.</small>			<small>ORIG. DRAWN BY:</small> G.A. <small>DATE:</small> 10-04-94						
<small>ALL UNITS ARE IN FEET, INCHES, FRACTION OF INCHES AND DECIMALS.</small>			 <small>601 E. WILDWOOD VILLA PARK, IL 60181</small>						
<small>= CRITICAL CHARACTERISTIC FLAG PER SPEC. XXXX</small>			<small>CHECKED BY:</small> <small>APPROVED BY:</small> <table border="1"> <tr> <th>SCALE</th> <th>SIZE</th> <th>SHEET</th> </tr> <tr> <td>NTS</td> <td>A</td> <td>1 OF 1</td> </tr> </table>	SCALE	SIZE	SHEET	NTS	A	1 OF 1
SCALE	SIZE	SHEET							
NTS	A	1 OF 1							
<small>TITLE:</small> SOCKET REMOVAL BIT SIZE #20		<small>CUSTOMER:</small> STANDARD PRODUCT							
<small>FILE:</small> 356-20		<small>DIRECTORY:</small> SLW	<small>PART NUMBER:</small> 356-20						
			<small>REV</small> K						