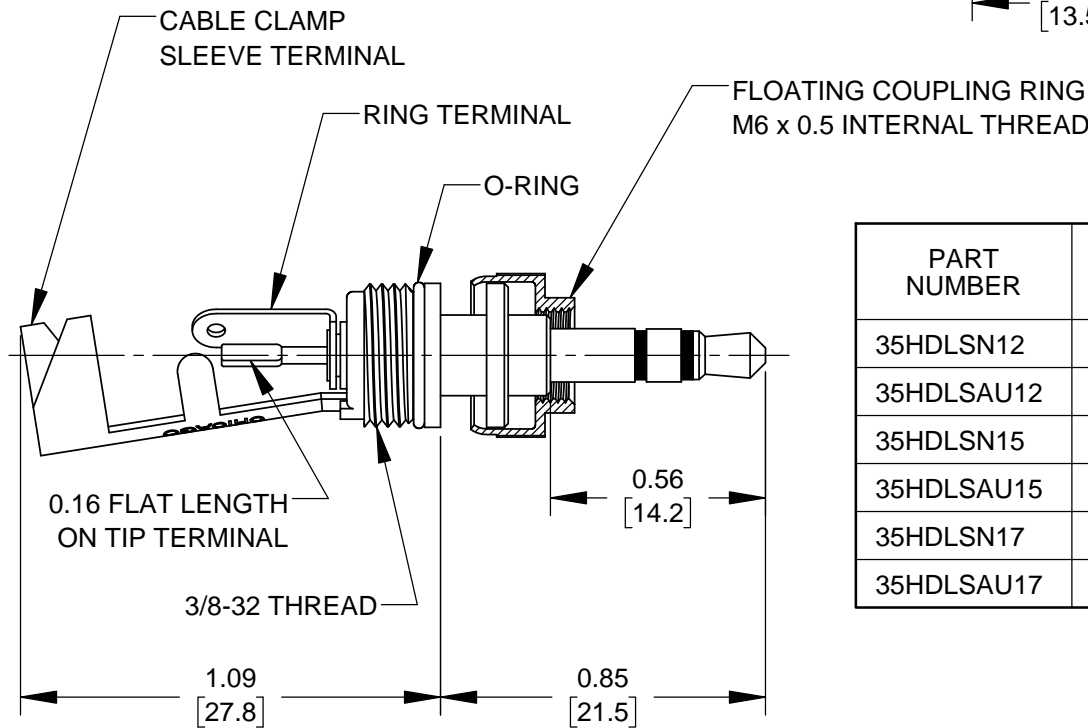
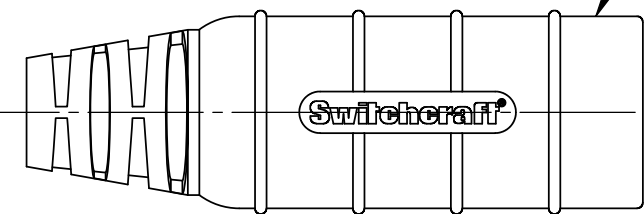


OVERMOLDED HANDLE & TUBULAR INSULATOR  
SHIPPED UNASSEMBLED



PART NUMBER	PLUG FINISH	"A" DIMENSION	CABLE DIAMETER RANGE
35HDLSN12	TIN	Ø0.140 [3.56]	0.125 - 0.150 [3.18 - 3.81]
35HDLSAU12	GOLD		
35HDLSN15	TIN	Ø0.160 [4.06]	0.150 - 0.175 [3.81 - 4.45]
35HDLSAU15	GOLD		
35HDLSN17	TIN	Ø0.190 [4.83]	0.175 - 0.210 [4.45 - 5.33]
35HDLSAU17	GOLD		

NOTES:

1. SPECIFICATIONS:

- CONTACT RESISTANCE: 20 MILIOHMS MAX.
- DIELECTRIC WITHSTANDING VOLTAGE - 250 VAC MIN
- INSULATION RESISTANCE @ 500 VDC - 2,000 MEGAOHMS MIN
- MAX WORKING VOLTAGE - 250 VAC, 140VDC
- CURRENT CARRY @ WORKING VOLTAGE - 4 AMPS
- INSERT / WITHDRAWAL FORCE - TYPICAL 2.5/2 LBS
- TEMPERATURE RANGE: -20°C TO 85°C (OPERATING)
- PASSES IP67 & IP68 AFTER:
- THERMAL SHOCK - MIL-STD-202, METHOD 107G
- VIBRATION - MIL-STD-202, METHOD 201
- LIFE - 5,000 CYCLES

2. MATERIALS:

- PLUG BODY, TIP ROD & RING - COPPER ALLOY, TIN OR GOLD PLATED
- PLUG INSULATION - THERMOPLASTIC, BLACK
- RING TERMINAL - COPPER ALLOY, TIN PLATED
- CABLE CLAMP - STEEL, TIN PLATED
- COUPLING RING - COPPER ALLOY, NICKEL PLATED
- HANDLE - COPPER ALLOY, NICKEL PLATED
- HANDLE OVERMOLD - THERMOPLASTIC RUBBER, BLACK
- TUBULAR INSULATOR - MYLAR
- O-RING - THERMOPLASTIC RUBBER

3. THESE PRODUCTS ARE RoHS COMPLIANT.

**CUSTOMER DRAWING**

					THIS DRAWING DESCRIBES A DESIGN CONSIDERED PROPRIETARY IN NATURE, DEVELOPED AND MANUFACTURED BY SWITCHCRAFT INC. AND IS RELEASED ON A CONFIDENTIAL BASIS FOR IDENTIFICATION PURPOSES ONLY.				
					SIZE	WIDTH	MULT	LBS/M	TEMPER
					UNLESS OTHERWISE SPECIFIED			MATERIAL SPEC No.	
					1. ALL DIMENSIONS IN INCHES [mm]			SCALE 1:1	
					- TWO PLACE DECIMALS ±0.02 [0.5]			DATE DRAWN 05/17/18	
					- THREE PLACE DECIMALS ±0.005 [0.13]			BY AM	
C	28192	08/19/19	PC	TJK	CHKD AM	APVD TJK	05/17/18 10/30/18		
B	28161	04/15/19	PC	TJK					
A	28106	11/09/18	PC	TJK					
REV	ECO NUMBER	DATE	BY	APVD	NAME 3.5mm SEALED LOCKING STEREO PLUG, RoHS			PART No. 35HDLS_SERIES	
REVISIONS					DO NOT SCALE DRAWING				
					SHEET 1 OF 1				
								REV C	