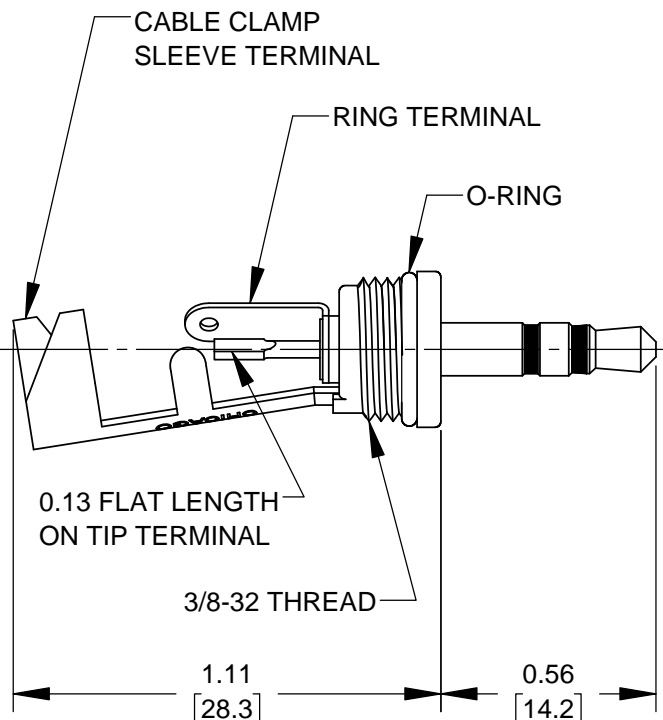
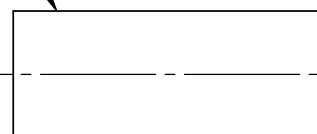
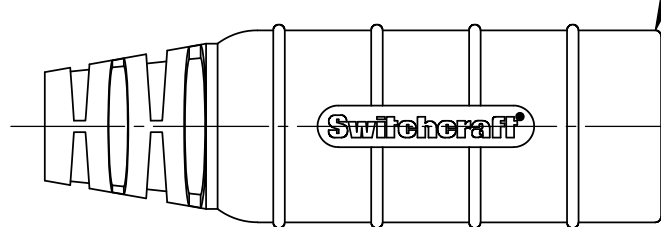


OVERMOLDED HANDLE AND TUBULAR INSULATOR  
SHIPPED UNASSEMBLED



PART NUMBER	PLUG FINISH	"A" DIMENSION	CABLE DIAMETER RANGE
35HDSN12	TIN	Ø 0.140 [3.56]	0.125 - 0.150 [3.18 - 3.81]
35HDSAU12	GOLD	Ø 0.140 [3.56]	0.125 - 0.150 [3.18 - 3.81]
35HDSN15	TIN	Ø 0.160 [4.06]	0.150 - 0.175 [3.81 - 4.45]
35HDSAU15	GOLD	Ø 0.160 [4.06]	0.150 - .0175 [3.81 - 4.45]
35HDSN17	TIN	Ø 0.190 [4.83]	0.175 - 0.210 [4.45 - 5.33]
35HDSAU17	GOLD	Ø 0.190 [4.83]	0.175 - 0.210 [4.45 - 5.33]

NOTES:

1. SPECIFICATIONS:

- CONTACT RESISTANCE: 20 MILIOHMS MAX.
- DIELECTRIC WITHSTANDING VOLTAGE - 250 VAC MIN
- INSULATION RESISTANCE @ 500 VDC - 2,000 MEGAOHMS MIN
- MAX WORKING VOLTAGE - 250 VAC, 140VDC
- CURRENT CARRY @ WORKING VOLTAGE - 4 AMPS
- INSERT / WITHDRAWAL FORCE - TYPICAL 2.5/2 LBS
- TEMPERATURE RANGE: -20°C TO 85°C (OPERATING)
- PASSES IP67 & IP68 AFTER:
- THERMAL SHOCK - MIL-STD-202, METHOD 107G
- VIBRATION - MIL-STD-202, METHOD 201
- LIFE - 5,000 CYCLES

2. MATERIALS:

- PLUG BODY, TIP ROD & RING - COPPER ALLOY, TIN OR GOLD PLATED
- PLUG INSULATION - THERMOPLASTIC, BLACK
- RING TERMINAL - COPPER ALLOY, TIN PLATED
- CABLE CLAMP - STEEL, TIN PLATED
- HANDLE - COPPER ALLOY, NICKEL PLATED
- HANDLE OVERMOLD - THERMOPLASTIC RUBBER, BLACK
- TUBULAR INSULATOR - MYLAR
- O-RING - THERMOPLASTIC RUBBER

3. THESE PRODUCTS ARE RoHS COMPLIANT.

**CUSTOMER DRAWING**

					THIS DRAWING DESCRIBES A DESIGN CONSIDERED PROPRIETARY IN NATURE, DEVELOPED AND MANUFACTURED BY SWITCHCRAFT INC. AND IS RELEASED ON A CONFIDENTIAL BASIS FOR IDENTIFICATION PURPOSES ONLY.				
					SIZE	WIDTH	MULT	LBS/M	TEMPER
					UNLESS OTHERWISE SPECIFIED			MATERIAL SPEC No.	
					1. ALL DIMENSIONS IN INCHES [mm]			SCALE 2:1	
					- TWO PLACE DECIMALS ±0.02 [0.5]			DATE DRAWN	
					- THREE PLACE DECIMALS ±0.005 [0.13]			BY	
								CHKD	
								APVD	
A	28106	11/09/18	PC	TJK	05/24/18			5/24/18	
REVISIONS					DO NOT SCALE DRAWING				
					NAME			PART No.	
					3.5mm SEALED STEREO PLUG, RoHS			35HDS_SERIES	
								REV A	

**Switchcraft®**

SHEET 1 OF 1