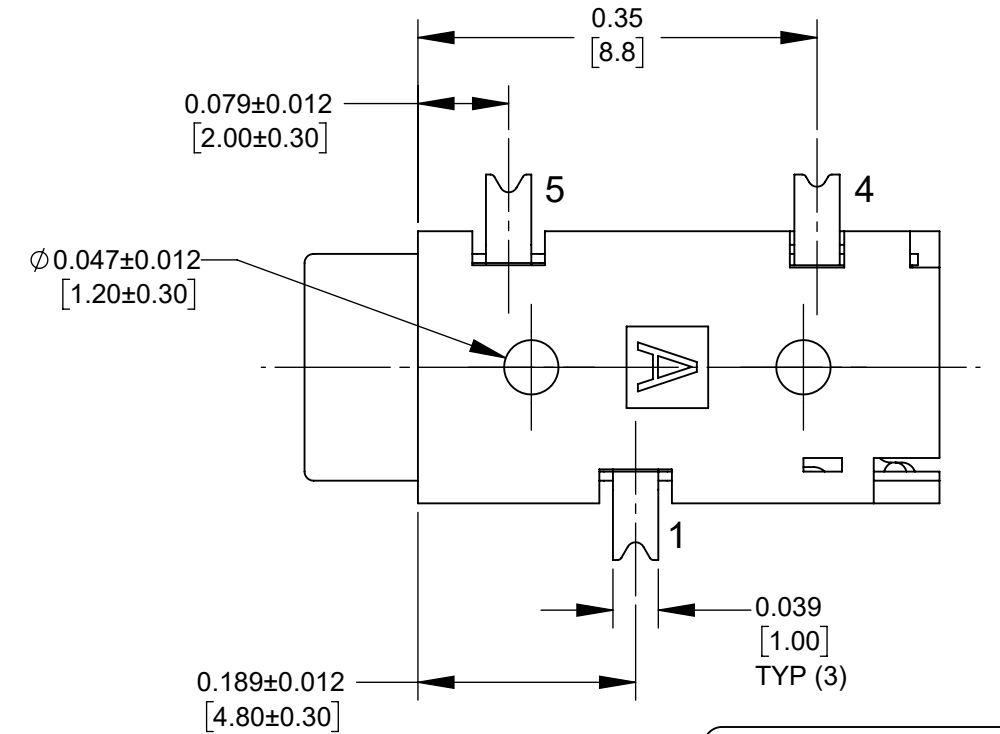
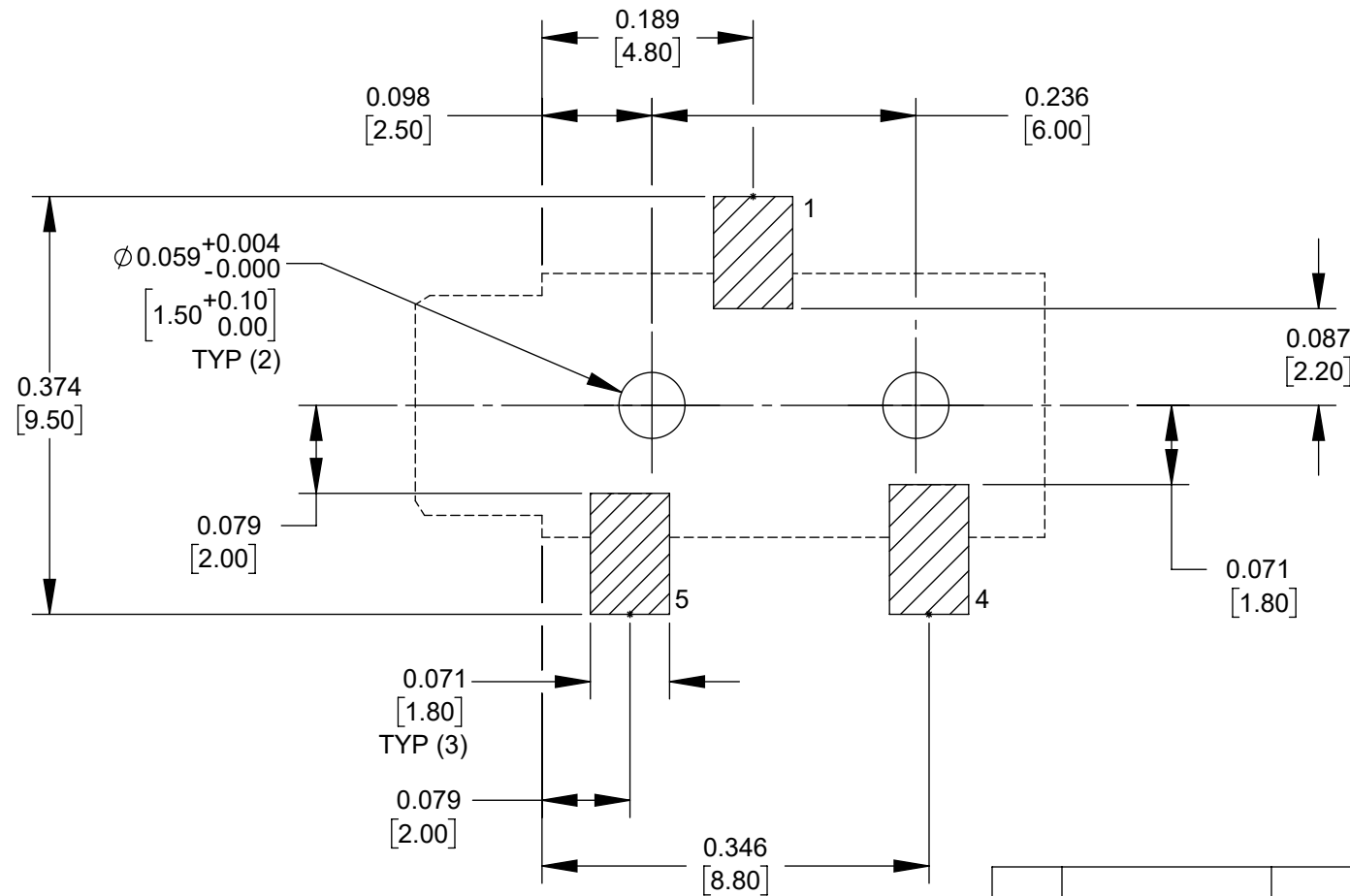
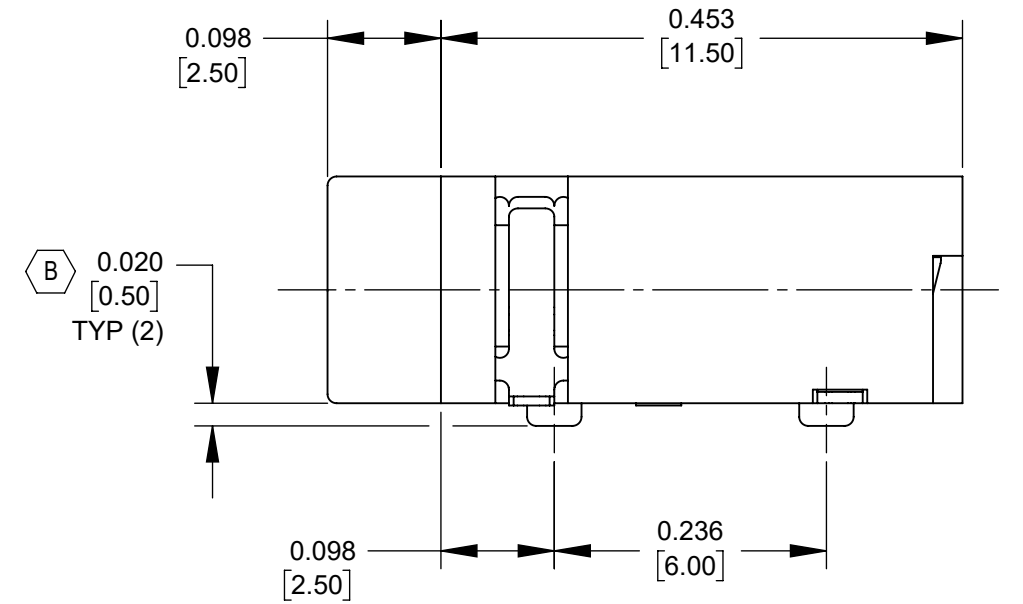
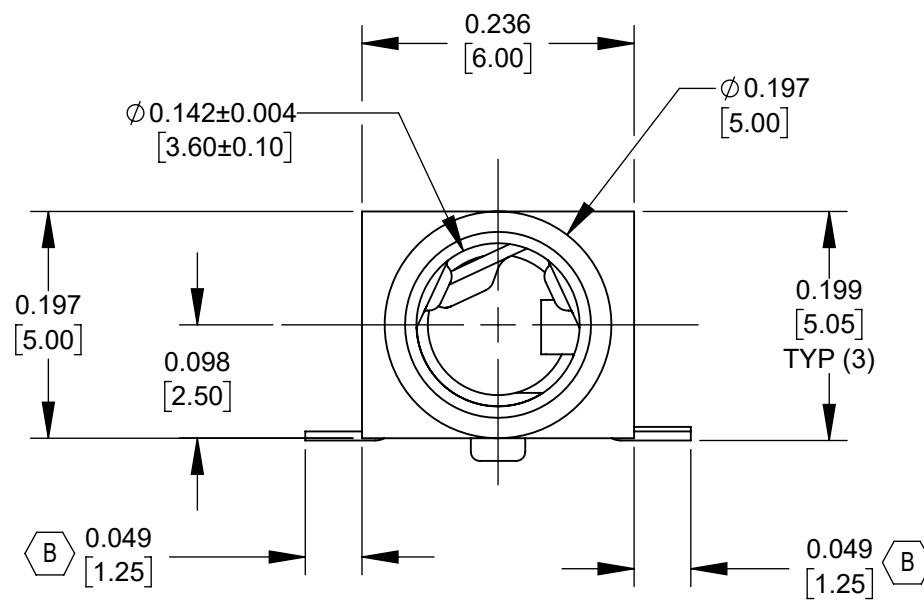


NOTES:

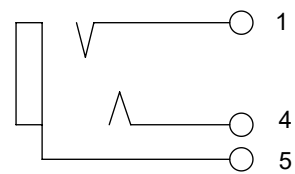
B 1. MATERIALS:
HOUSING - THERMOPLASTIC, BLACK
TERMINALS - COPPER ALLOY, SILVER PLATED

2. SUPPLIED ON TAPE AND REEL, SEE SHEET 2.

3. THIS PRODUCT IS RoHS COMPLIANT.



CUSTOMER DRAWING



SCHMATIC

B PCB LAYOUT
COMPONENT SIDE
TOLERANCE: ±0.002 [±0.05]

REV	ECO NUMBER	DATE	BY	APVD
B	28596	06/07/23	PC	TJK
A	28463	01/31/22	PC	TJK

UNLESS OTHERWISE SPECIFIED
1. ALL DIMENSIONS IN INCHES [mm]
- TWO PLACE DECIMALS ±0.02 [0.5]
- THREE PLACE DECIMALS ±0.005 [0.13]

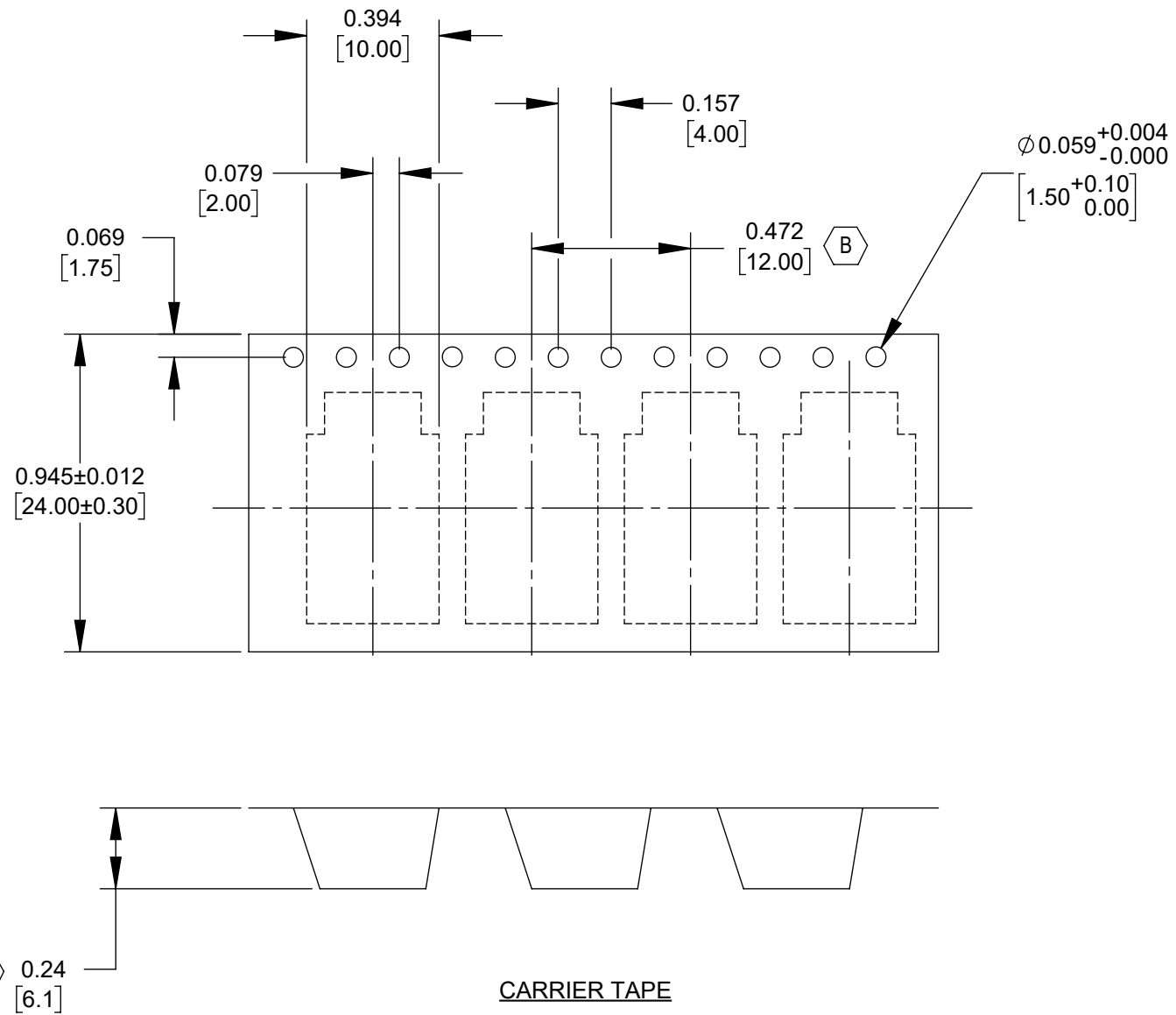
DO NOT SCALE DRAWING

THIS DRAWING DESCRIBES A DESIGN CONSIDERED PROPRIETARY IN NATURE, DEVELOPED AND MANUFACTURED BY SWITCHCRAFT INC. AND IS RELEASED ON A CONFIDENTIAL BASIS FOR IDENTIFICATION PURPOSES ONLY.									
SIZE	WIDTH	MULT	LBS/M	TEMPER					
FINISH SPEC No.					MATERIAL SPEC No.				
FIRST USED ON					SCALE 6:1				
DATE DRAWN	BY	CHKD	APVD	Switchcraft®					
01/26/22	PC	TJK	TJK	SHEET 1 OF 2					
NAME 3.5 MM PHONE JACK SURFACE MOUNT, RoHS				PART No. 35RASMT2BHSNTRX			REV B		

A: CARRIER SIZE

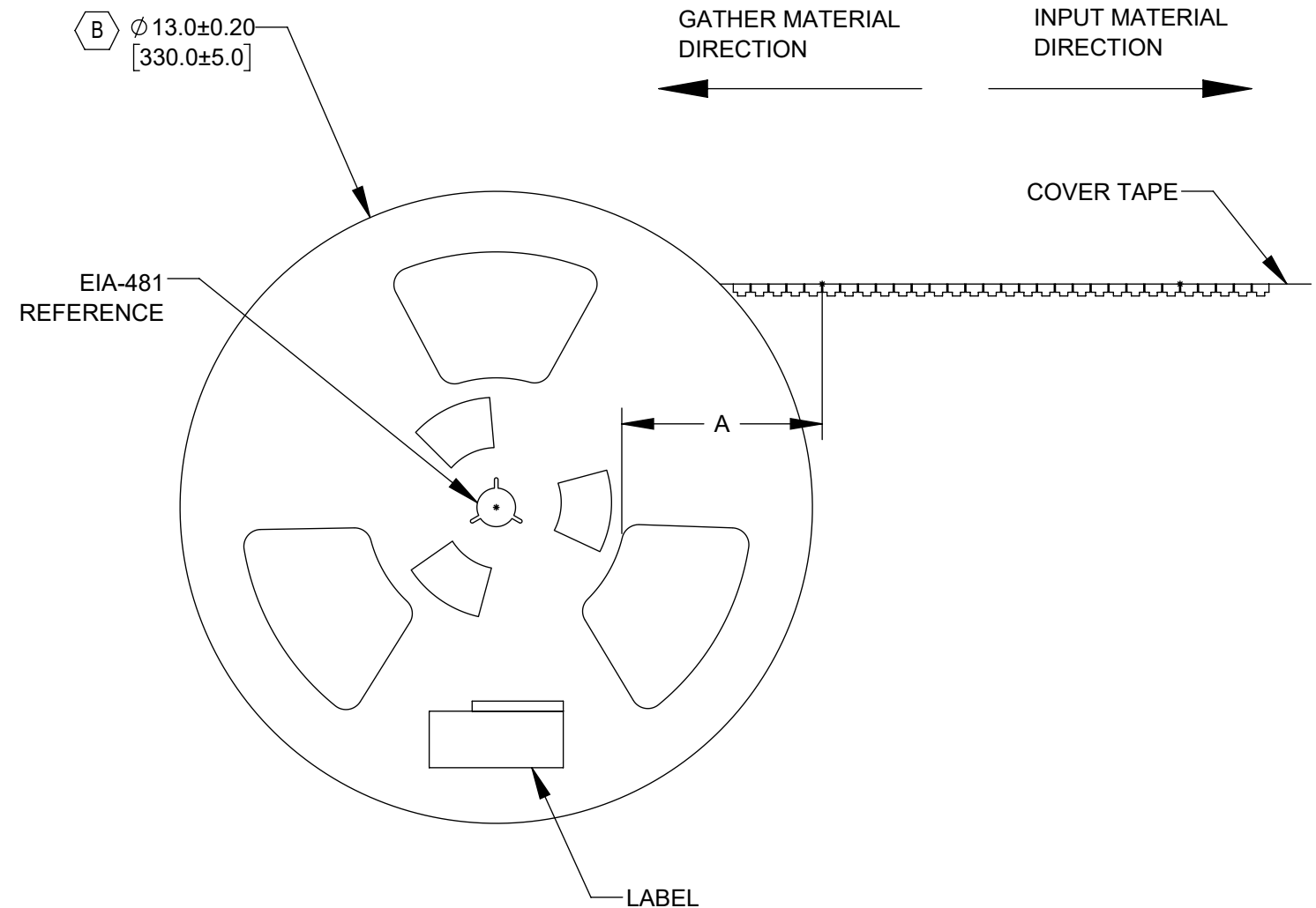
1. DETAIL SIZE REFERENCES: EIA-481

2. SPECIFICATIONS: 24 MM X 12 MM B



B: REEL SIZE

- B 1. QUANTITY: 1000 PCS/REEL
- 2. MATERIAL: THERMOPLASTIC
- 3. 13 EMPTY AT START OF REEL AND 22 EMPTY AT END OF REEL



CUSTOMER DRAWING

SCALE 2:1	Switchcraft [®]	
DATE DRAWN 01/26/22		
DRAWN BY PC	PART No. 35RASMT2BHSNTRX	REV B