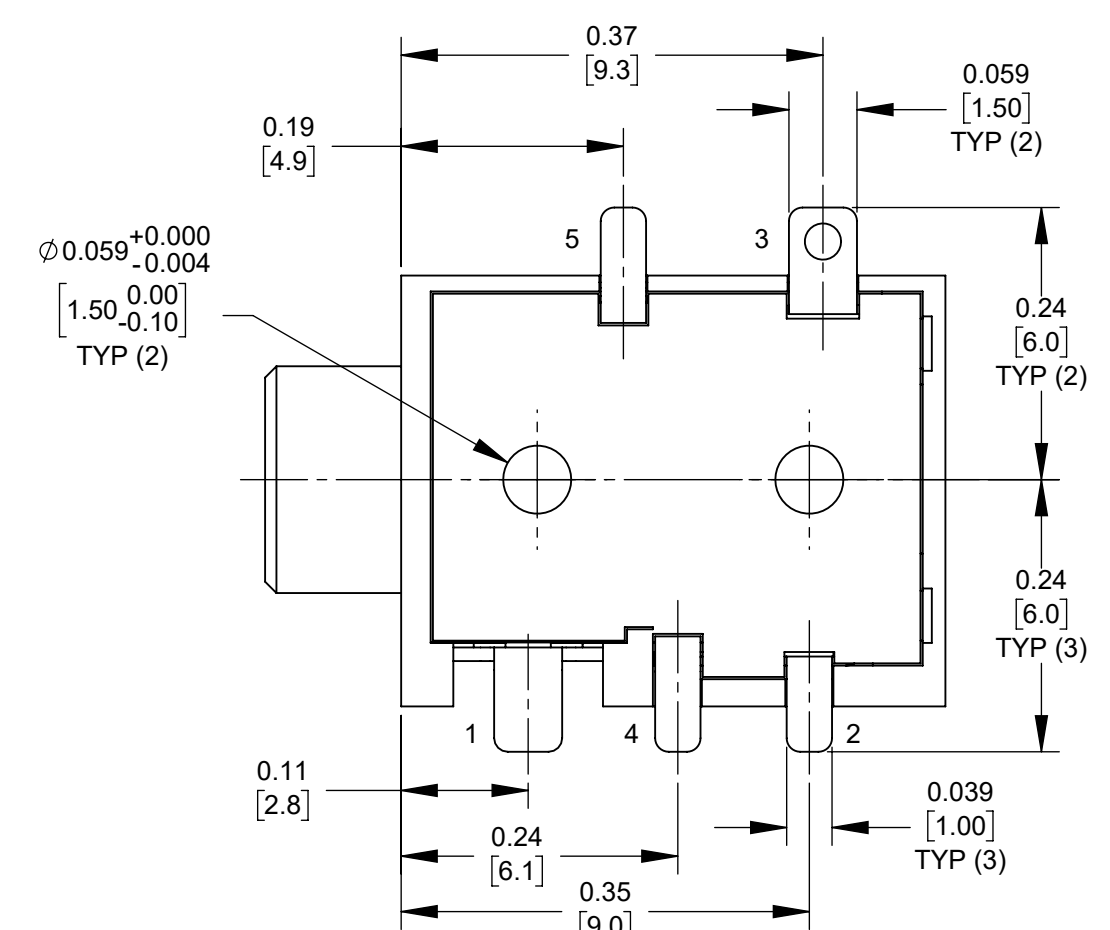
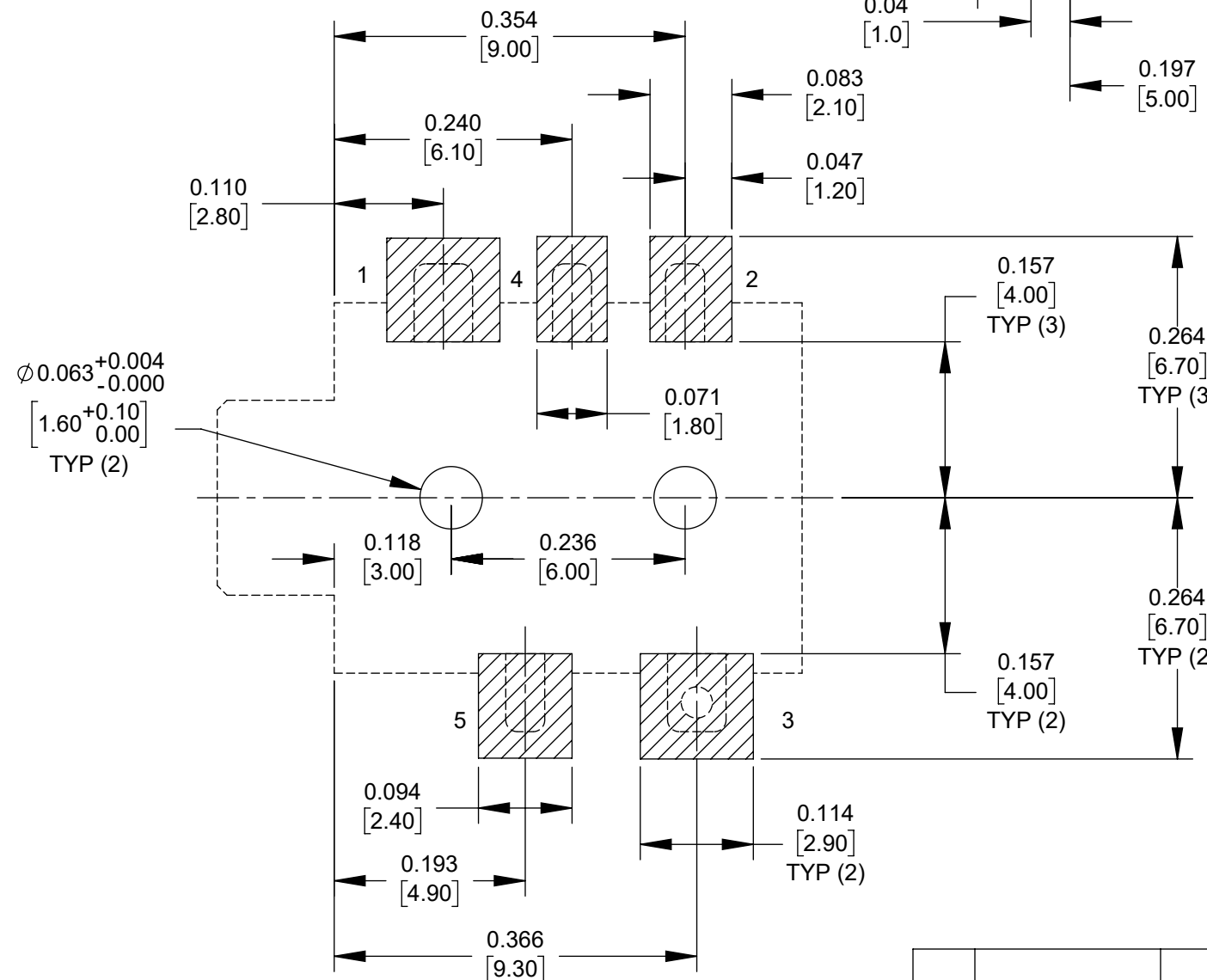
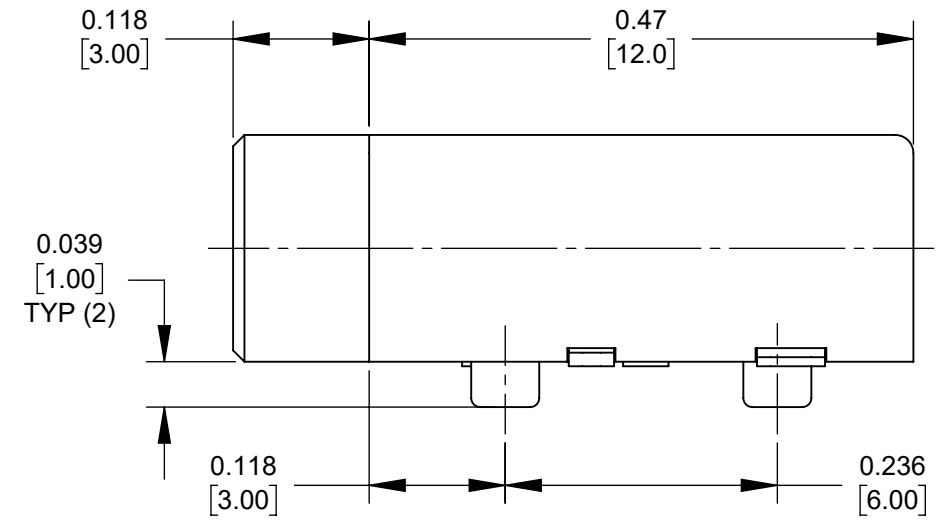
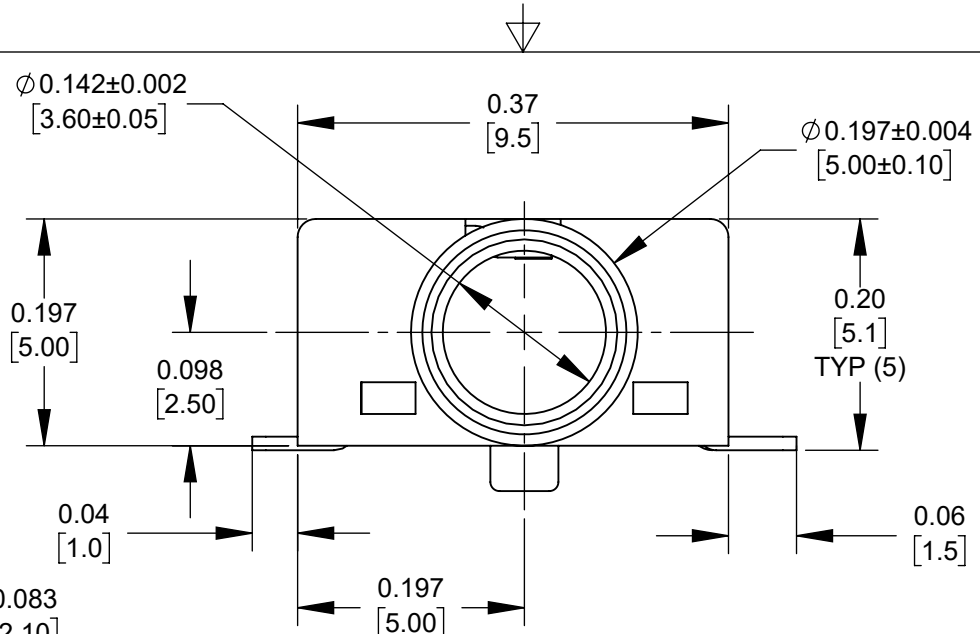
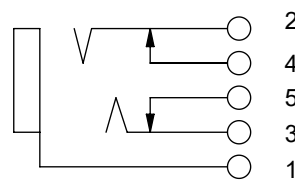


NOTES:

1. MATERIALS:
HOUSING - THERMOPLASTIC, BLACK
TERMINALS - COPPER ALLOY, GOLD PLATED
2. SUPPLIED ON TAPE AND REEL, SEE SHEET 2.
3. THIS PRODUCT IS RoHS COMPLIANT.



CUSTOMER DRAWING



SCHMATIC

**PCB LAYOUT
COMPONENT SIDE**

REV	ECO NUMBER	DATE	BY	APVD
A	28463	01/31/22	PC	TJK
REVISIONS				

UNLESS OTHERWISE SPECIFIED

1. ALL DIMENSIONS IN INCHES [mm]
- TWO PLACE DECIMALS ±0.02 [0.5]
- THREE PLACE DECIMALS ±0.005 [0.13]

DO NOT SCALE DRAWING

THIS DRAWING DESCRIBES A DESIGN CONSIDERED PROPRIETARY IN NATURE, DEVELOPED AND MANUFACTURED BY SWITCHCRAFT INC. AND IS RELEASED ON A CONFIDENTIAL BASIS FOR IDENTIFICATION PURPOSES ONLY.									
SIZE	WIDTH	MULT	LBS/M	TEMPER					
FINISH					MATERIAL				
SPEC No.					SPEC No.				
FIRST USED ON				SCALE					
				6:1					
DATE DRAWN	BY	CHKD	APVD						
1/26/22	PC	TJK	TJK						
				1/26/22		1/26/22			
NAME					PART No.				
3.5 MM PHONE JACK					35RASMT4BHWNTRX				
SURFACE MOUNT, RoHS					REV				
					A				

