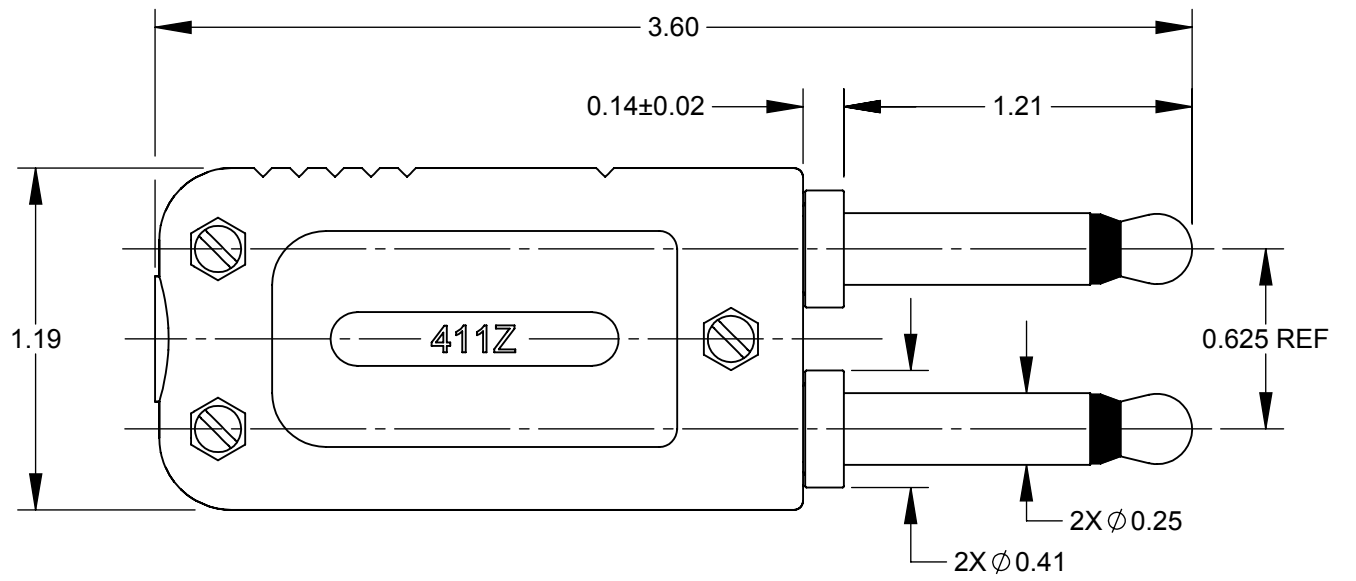
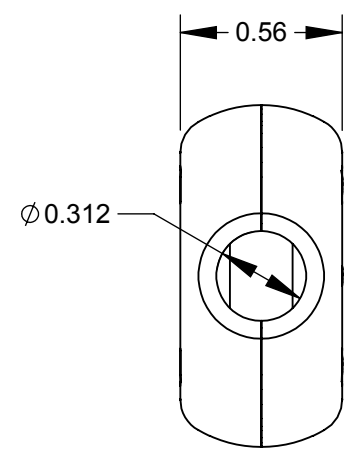
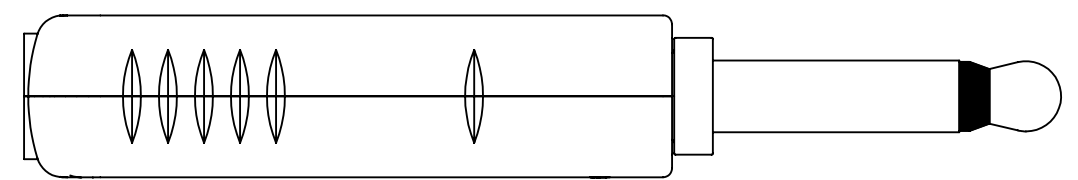
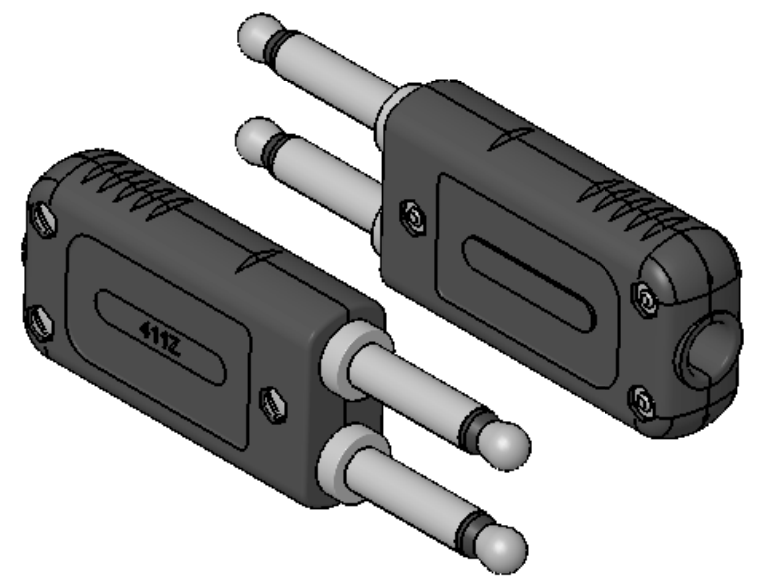


SHOWN WITH TOP HANDLE REMOVED



NOTES:

- MATERIALS:  
 TIP ROD AND PLUG BODY - COPPER ALLOY  
 CLAMP TERMINALS - COPPER ALLOY, TIN PLATED  
 PLUG INSULATION - THERMOPLASTIC, BLACK  
 HANDLES - THERMOPLASTIC, BLACK  
 TERMINAL SCREWS - COPPER ALLOY  
 HANDLE SCREWS - COPPER ALLOY  
 HEX NUTS - COPPER ALLOY
- THIS PRODUCT IS SHIPPED UNASSEMBLED.  
 HANDLE SCREWS, TERMINAL SCREWS, CLAMP TERMINALS,  
 AND HEX NUTS ARE SHIPPED AS K166 HARDWARE KIT.
- THIS PRODUCT IS RoHS COMPLIANT.

**CUSTOMER DRAWING**

REV	ECO NUMBER	DATE	BY	APVD
A	FIRST DRAWN ECO #27502	05/21/15	PC	TJK
REVISIONS				

UNLESS OTHERWISE SPECIFIED

1. ALL DIMENSIONS IN INCHES

- TWO PLACE DECIMALS ±0.02

- THREE PLACE DECIMALS ±0.005

**DO NOT SCALE DRAWING**

THIS DRAWING DESCRIBES A DESIGN CONSIDERED PROPRIETARY IN NATURE, DEVELOPED AND MANUFACTURED BY SWITCHCRAFT INC. AND IS RELEASED ON A CONFIDENTIAL BASIS FOR IDENTIFICATION PURPOSES ONLY.									
SIZE	WIDTH	MULT	LBS/M	TEMPER	MATERIAL SEE NOTE 1				
FINISH					SPEC No.				
FIRST USED ON					SCALE 1.5:1				
DATE DRAWN	BY	CHKD	APVD	Switchcraft®					
05/04/15	PC	TJK	TJK	SHEET 1 OF 1					
NAME 2 CONDUCTOR					PART No.				
Ø0.25 TWIN PHONE PLUG, RoHS					411Z				
					REV A				