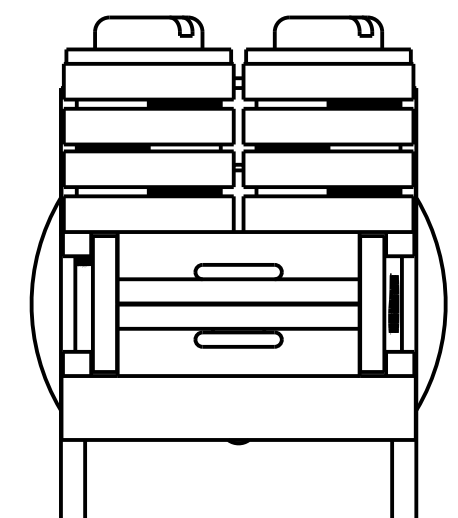
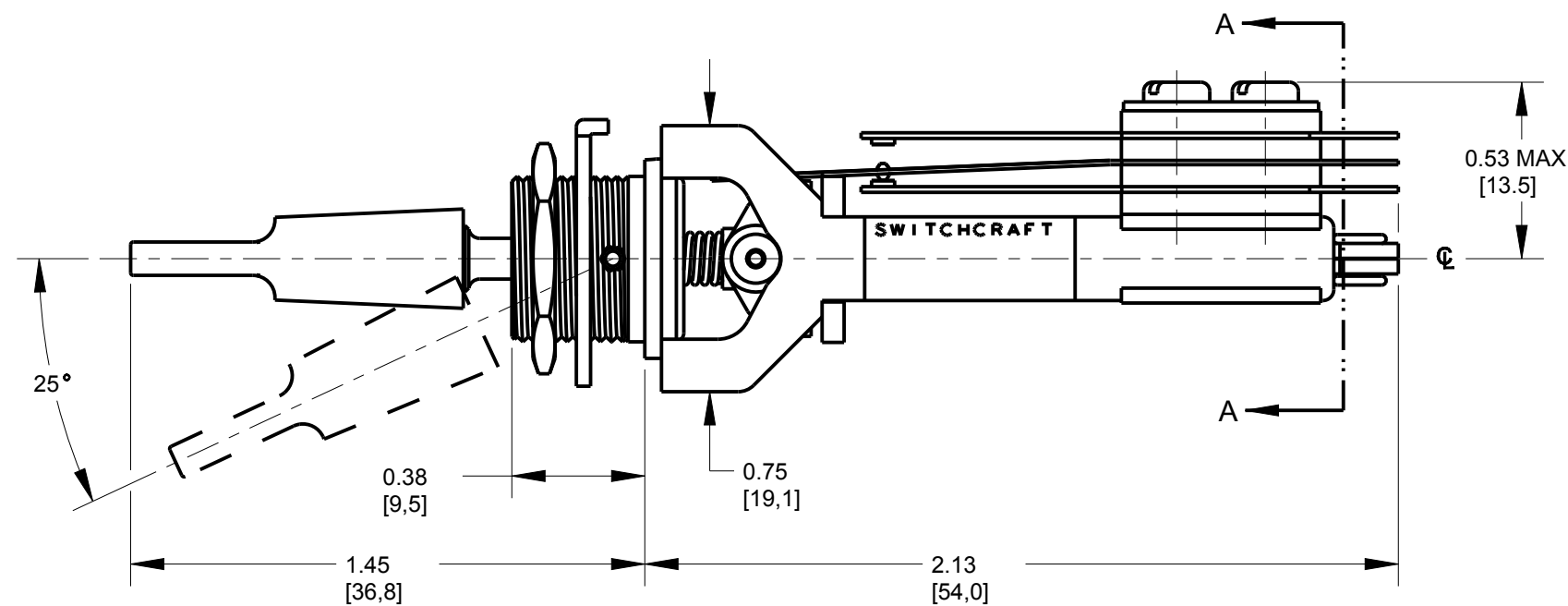
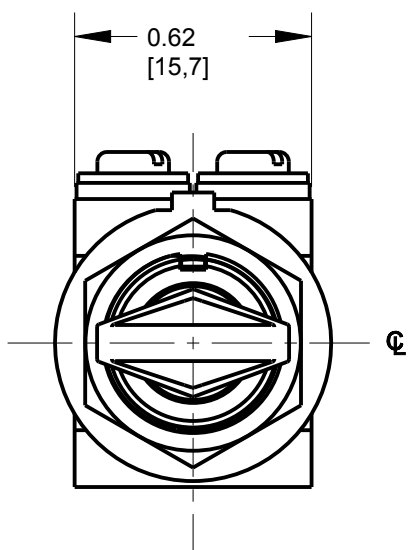


RECOMMENDED PANEL CUT-OUT  
FOR USE WITH NO-TURN WASHER



SECTION A-A  
TERMINAL POSITIONS  
SCALE 3:1

- NOTES:
1. KNOB AND HARDWARE SHIPPED UNASSEMBLED.
  2. MAX PANEL THICKNESS: 0.25 [6.4]
  3. MATERIALS:  
 FRAME - CRS, ZINC PLATED  
 BUSHING & ACTUATOR - COPPER ALLOY, NICKEL PLATED  
 SPRINGS - SPECIAL COPPER ALLOY  
 TERMINALS - TINNED DIPPED SOLDER LUGS  
 INSULATORS - PHENOLIC  
 LIFTERS & ROLLERS - THERMOPLASTIC  
 SCREWS - CRS, NICKEL PLATED  
 HEX NUT - COPPER ALLOY, NICKEL PLATED  
 WASHER - CRS, NICKEL PLATED  
 KNOB - THERMOPLASTIC, BLACK
  4. THIS PRODUCT IS RoHS COMPLIANT

CUSTOMER DRAWING

					★ STAR SYMBOL DENOTES CRITICAL DIMENSION	THIS DRAWING DESCRIBES A DESIGN CONSIDERED PROPRIETARY IN NATURE, DEVELOPED AND MANUFACTURED BY SWITCHCRAFT INC. AND IS RELEASED ON A CONFIDENTIAL BASIS FOR IDENTIFICATION PURPOSES ONLY.					
					UNLESS OTHERWISE SPECIFIED	SIZE	WIDTH	MULT	LBS/M	TEMPER	
					1. ALL DIMENSIONS IN INCHES -TWO PLACE DECIMALS ±0.01 -THREE PLACE DECIMALS ±0.005 -ANGLES ±1° -ALL DIA. CONCENTRIC WITHIN 0.005 T.I.R.	FINISH		MATERIAL			
					2. FEATURES ON THE SAME CENTERLINE MUST BE ALIGNED WITHIN ±0.002	SPEC No.		SPEC No.			
					3. REMOVE ALL BURRS	FIRST USED ON		SCALE 2:1			
B	27887	05-12-17	PC	TJK	DATE DRAWN	BY	CHKD	APVD	<b>Switchcraft</b> <sup>®</sup>		
A	26642	10-20-10	PC	TJK	May-13-19	PC	PC	TJK			
REV	ECO NUMBER	DATE	BY	APVD	NAME LT SERIES LEVER SWITCH 2 POSITION NON-LOCK, RoHS					PART No.	REV
REVISIONS					DO NOT SCALE DRAWING					41206X	B