

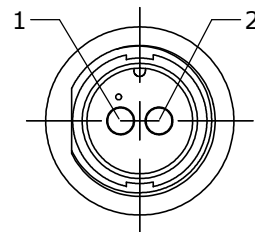
CUSTOMER PRINT

PART NUMBER: 4180-XPG-300

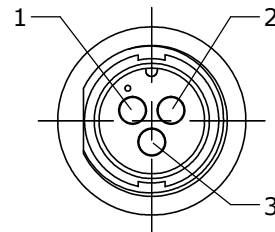
ASS'Y PART NO.	CONTACT QTY.
4180-2PG-300	2
4180-3PG-300	3
4180-4PG-300	4

NOTES:

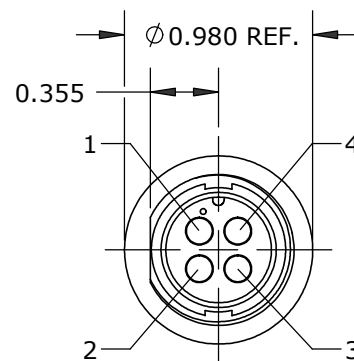
- PARTS TO BE BULK PACKED
- CONTACTS TO BE SHIPPED LOOSE



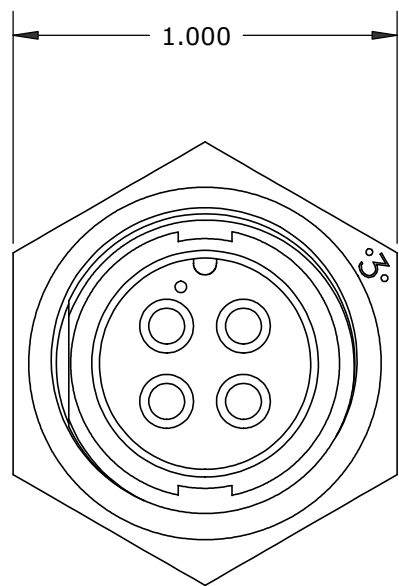
FACE VIEW
(2) #12
PIN CONTACT



FACE VIEW
(3) #12
PIN CONTACT

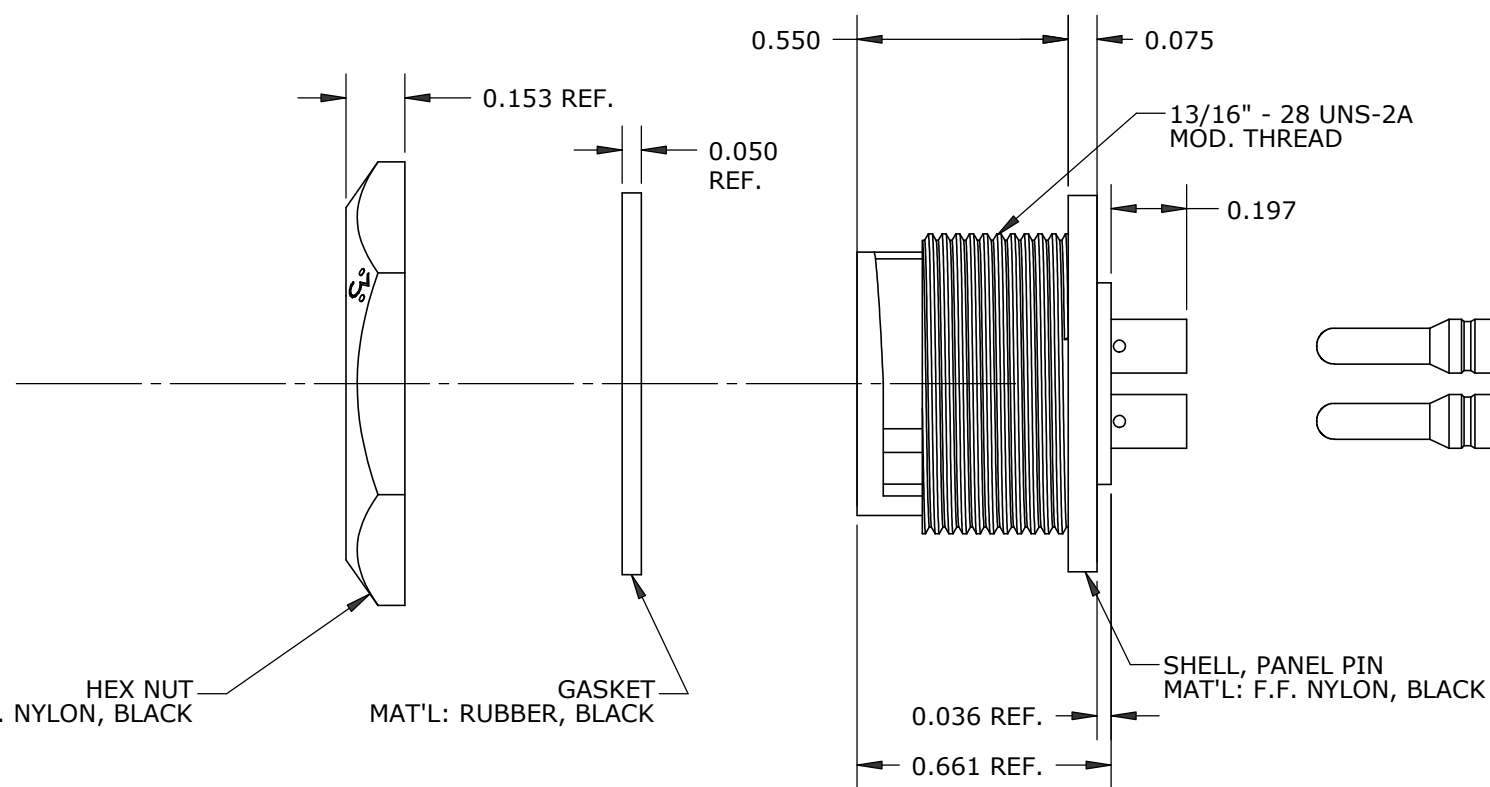


FACE VIEW
(4) #12
PIN CONTACT



FRONT END

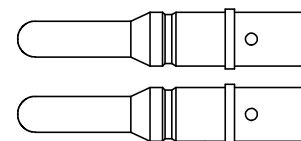
HEX NUT
MAT'L: G.F. NYLON, BLACK



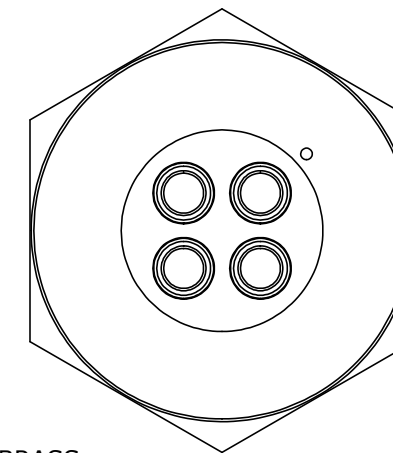
GASKET
MAT'L: RUBBER, BLACK

13/16" - 28 UNS-2A
MOD. THREAD

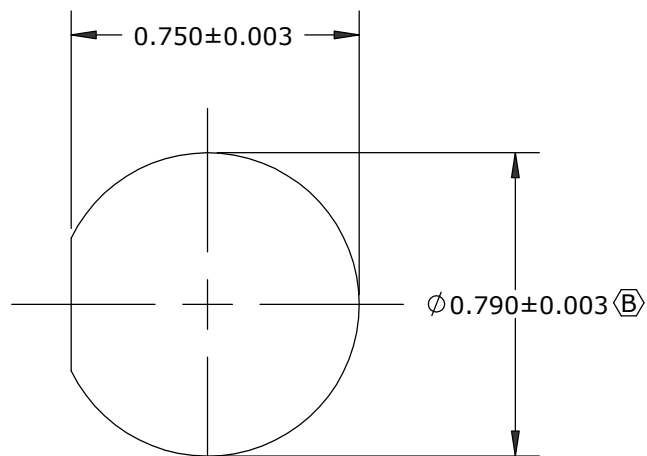
SHELL, PANEL PIN
MAT'L: F.F. NYLON, BLACK



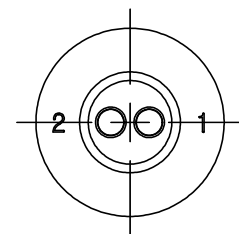
PIN CONTACT
CRIMP TYPE
MAT'L: GOLD PLATED BRASS



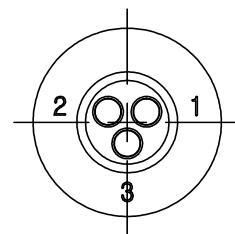
WIRING END



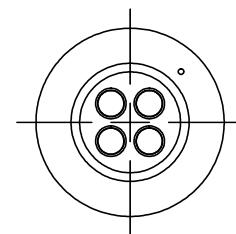
RECOMMENDED
PANEL CUTOUT



WIRE VIEW
P/N: 4180-2PG-300



WIRE VIEW
P/N: 4180-3PG-300



WIRE VIEW
P/N: 4180-4PG-300

CUSTOMER APPROVAL

THIS DOCUMENT CONTAINS CONFIDENTIAL INFORMATION PROPRIETARY TO CONXALL CORPORATION. ANY REPRODUCTION, DISCLOSURE, OR USE OF THIS DOCUMENT /INFORMATION IS EXPRESSLY PROHIBITED UNLESS AUTHORIZED IN WRITING BY CONXALL CORPORATION.

APPROVED BY: _____

DATE: _____

B	SS	12-07-20	CHANGED CHART QTY FROM 5 TO 4 FOR 4180-4PG-300 AND CHANGED PANEL CUT OUT FROM 0.750 TO 0.790 PER ECR 9561
A	GMC	12-09-08	DRAWING CREATED PER DOR 08-E184CS
REV.	INIT.	DATE	DESCRIPTION
			ORIG. DRAWN BY: DATE: GMC 10-15-08
			CHECKED BY:
			APPROVED BY:
			TITLE: CONXALL
			601 E. WILDWOOD VILLA PARK, IL 60181
			TITLE: CONNECTOR ASSEMBLY KIT
			#12 PIN CONTACTS
			MULTI-CON-X
			CUSTOMER: STANDARD PRODUCT
SCALE	SIZE	SHEET	
NTS	B	1 OF 1	
FILE:	DIRECTORY:	PART NUMBER:	REV
4180-XPG-300	SLW	4180-XPG-300	B