

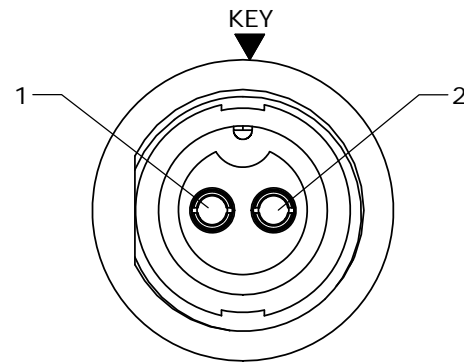
CUSTOMER PRINT

PART NUMBER: 4180-XSG-300(CHX)

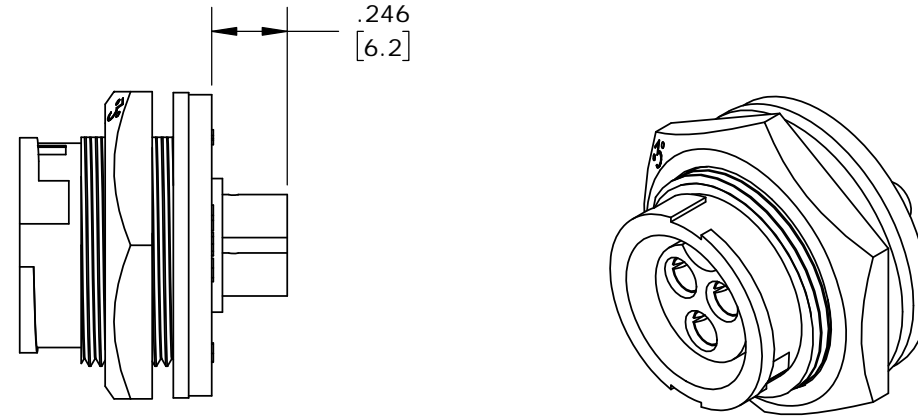
NOTES:
1. PARTS TO BE BULK PACKED

ASS'Y P/N	HEX NUT COLOR
4180-XSG-300CH1	WHITE
4180-XSG-300CH2	RED
4180-XSG-300CH3	BLUE
4180-XSG-300CH4	LIGHT GREY
4180-XSG-300CH5	YELLOW
4180-XSG-300CH6	MAROON
4180-XSG-300CH7	GREEN

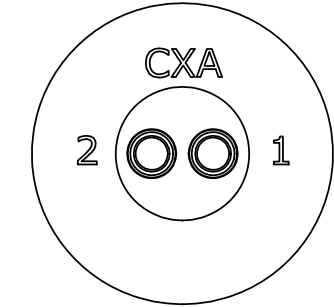
ASSY P/N	NO. OF CONTACTS
4180-2SG-300	2
4180-3SG-300	3



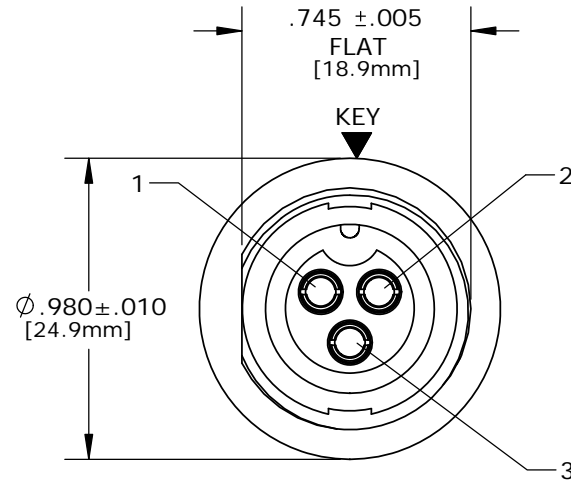
FACE VIEW
P/N: 4180-2SG-300



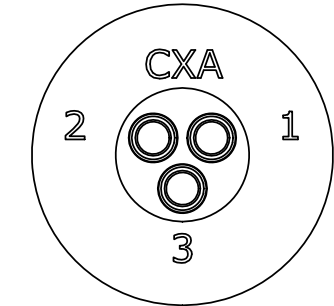
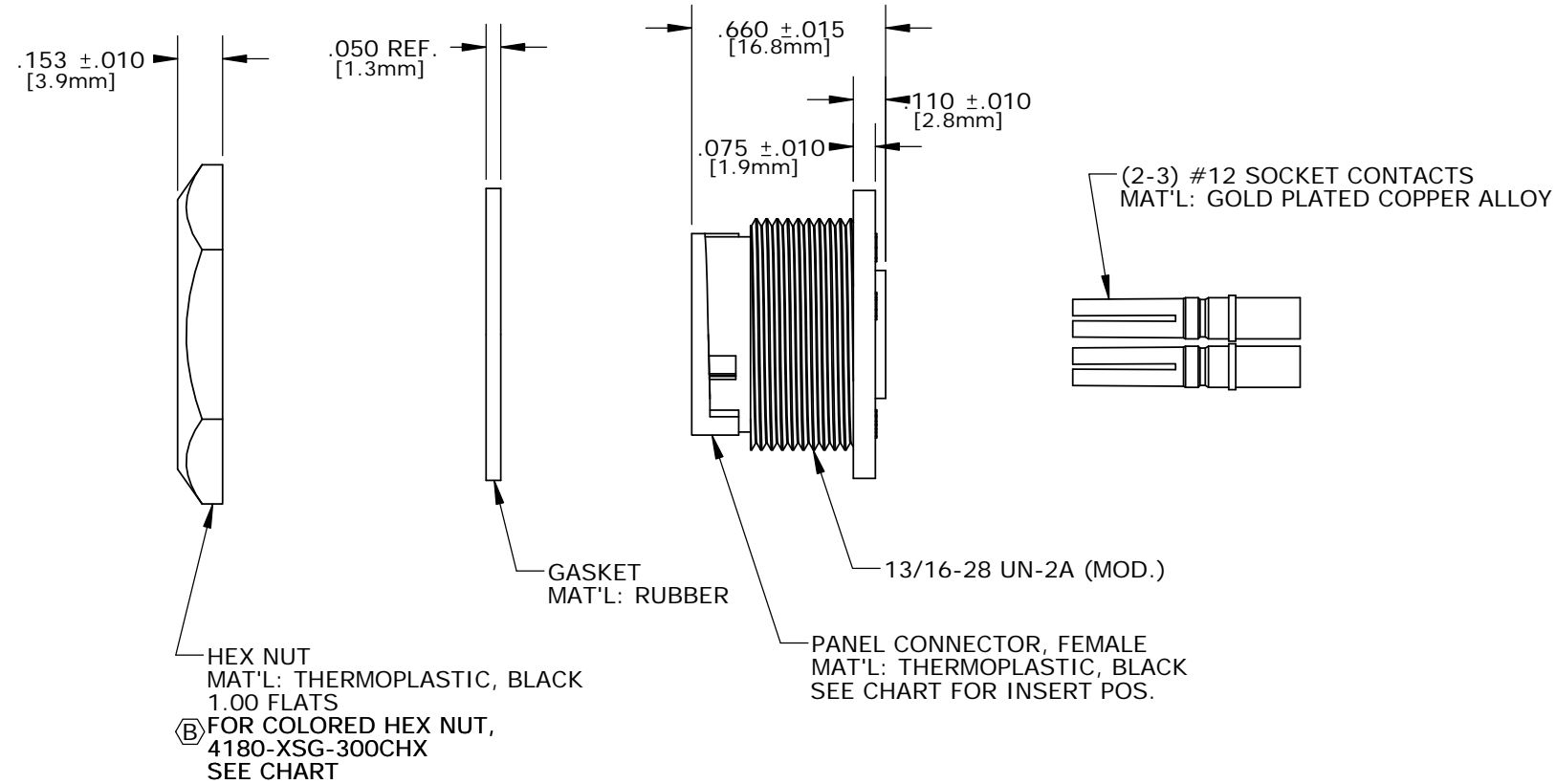
ASSEMBLED VIEW
FOR CUSTOMER REFERENCE ONLY



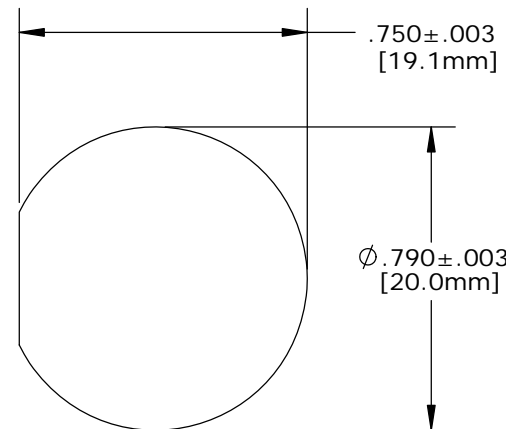
WIRE VIEW
P/N: 4180-2SG-300



FACE VIEW
P/N: 4180-3SG-300



WIRE VIEW
P/N: 4180-3SG-300



**RECOMMENDED
PANEL CUT-OUT**

DIMENSIONS IN BRACKET [] ARE METRIC.

CUSTOMER APPROVAL

THIS DOCUMENT CONTAINS CONFIDENTIAL INFORMATION PROPRIETARY TO CONXALL CORPORATION. ANY REPRODUCTION, DISCLOSURE, OR USE OF THIS DOCUMENT /INFORMATION IS EXPRESSLY PROHIBITED UNLESS AUTHORIZED IN WRITING BY CONXALL CORPORATION.

APPROVED BY: _____

DATE: _____

RoHS COMPLIANT

B	SS	10-07-19	ADDED HEX NUT COLOR CHART TO DRAWING PER DOR 15-E253SL #24
A	AN	01-03-13	DRAWING CREATED PER DOR 13-E149SL #1
REV.	INIT.	DATE	DESCRIPTION
	AN	01-02-13	ORIG. DRAWN BY: AN DATE: 01-02-13
ALL INFORMATION ILLUSTRATED IS THE PROPERTY OF CONXALL CORPORATION. UNAUTHORIZED DUPLICATION OR DISTRIBUTION OF THIS DOCUMENT IS PROHIBITED.			<p>601 E. WILDWOOD VILLA PARK, IL 60181</p>
ALL UNITS ARE IN FEET, INCHES, FRACTION OF INCHES AND DECIMALS.			
APPROVED BY:		TITLE: PANEL CONNECTOR ASS'Y KIT (2-3) #12 SOCKET CONTACTS MULTI-CON-X	
SCALE: NTS	SIZE: B	SHEET: 1 OF 1	CUSTOMER: STANDARD PRODUCT
FILE: 4180-XSG-300(CHX)	DIRECTORY: SLW	PART NUMBER: 4180-XSG-300(CHX)	REV B