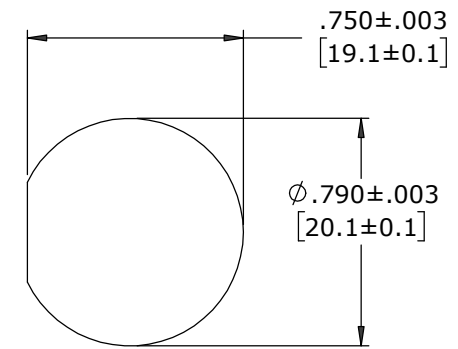


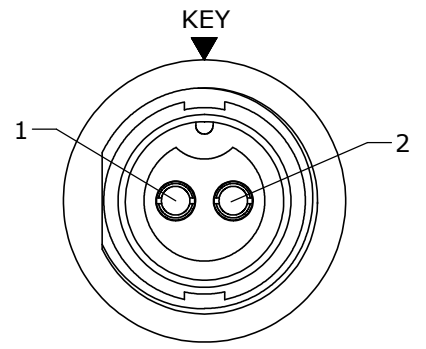
ASSY P/N	NO. OF PIN
4181-2SG-3ES	2
4181-3SG-3ES	3

NOTES:

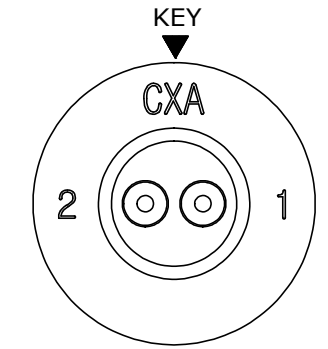
- ① FINISHED PRODUCT TO BE BOXED.
HEX NUTS AND GASKETS MAY BE PACKAGED SEPARATELY.
- 2. CONTACTS ASSEMBLED INTO CONNECTOR
- 3. REAR WELL OF CONNECTOR FILLED WITH EPOXY
- 4. ALL DIMENSIONS ARE REFERENCE EXCEPT THOSE WITH A TOLERANCE
- 5. SEE DRAWING HPMUSTD FOR HOLE PATTERN



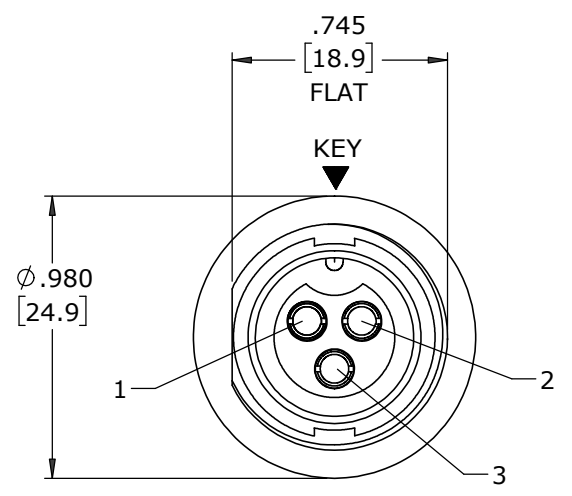
**RECOMMENDED
PANEL CUT OUT**



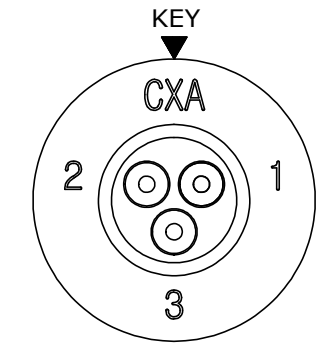
WIRING VIEW
ASS'Y: 4181-2SG-3ES



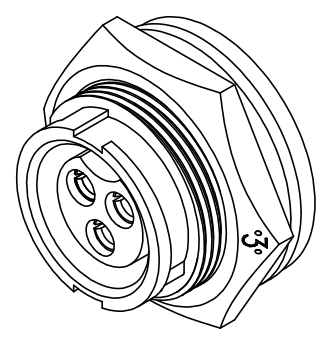
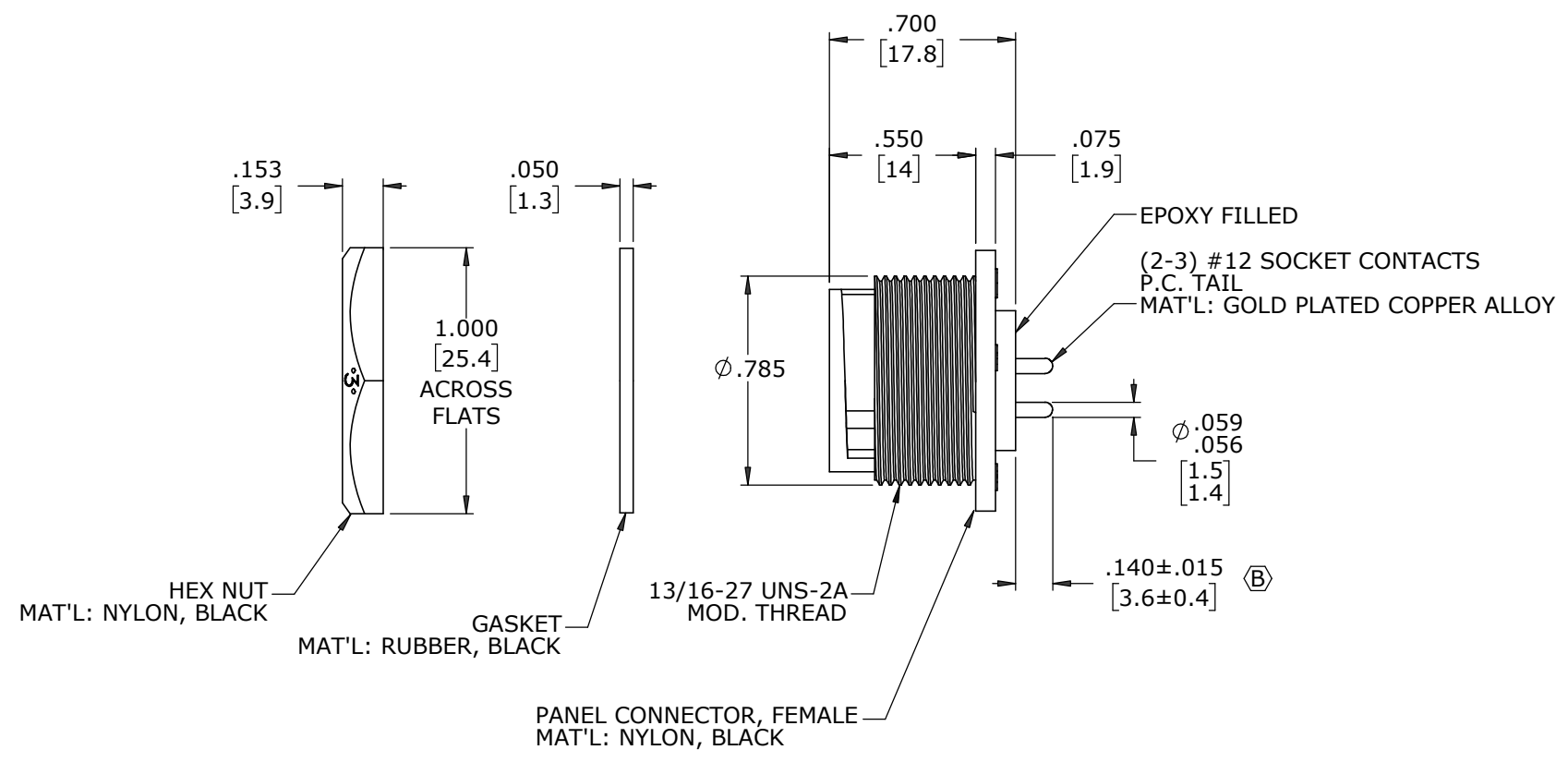
WIRE VIEW
4181-2SG-3ES



FACE VIEW
4181-3SG-3ES



WIRE VIEW
4181-3SG-3ES



SHOWN ASSEMBLED KIT
FOR CUSTOMER REFERENCE ONLY

CUSTOMER APPROVAL

THIS DOCUMENT CONTAINS CONFIDENTIAL INFORMATION PROPRIETARY TO CONXALL CORPORATION. ANY REPRODUCTION, DISCLOSURE, OR USE OF THIS DOCUMENT /INFORMATION IS EXPRESSLY PROHIBITED UNLESS AUTHORIZED IN WRITING BY CONXALL CORPORATION.

APPROVED BY: _____
DATE: _____

DIMENSIONS IN BRACKETS [] ARE IN MILLIMETERS

RoHS COMPLIANT

B	MA	12-11-20	REDIMENSIONED CONTACT HEIGHT, REMOVED TOLERANCES FROM PIECE PARTS PER ECR 9218-2. PACKAGING NOTE 1 WAS BULK PACK PER ECR 9553
A	AN	01-18-16	DRAWING CREATED PER DOR 16-E149SL #1
REV.	INIT.	DATE	DESCRIPTION
	AN	01-15-16	ALL INFORMATION ILLUSTRATED IS THE PROPERTY OF "CONXALL CORPORATION". UNAUTHORIZED DUPLICATION OR DISTRIBUTION OF THIS DOCUMENT IS PROHIBITED.
APPROVED BY:			<p>601 E. WILDWOOD VILLA PARK, IL 60181</p>
DATE:			
SCALE	SIZE	SHEET	TITLE:
NTS	B	1 OF 1	PANEL MOUNT ASSEMBLY (2-3) #12 SOCKET CONTACTS, PC TAIL MULTI-CON-X
FILE:	DIRECTORY:	PART NUMBER:	CUSTOMER: STANDARD PRODUCT
4181-XSG-3ES	SLW	4181-XSG-3ES	

CUSTOMER PRINT

PART NUMBER: 4181-XSG-3ES

REV B