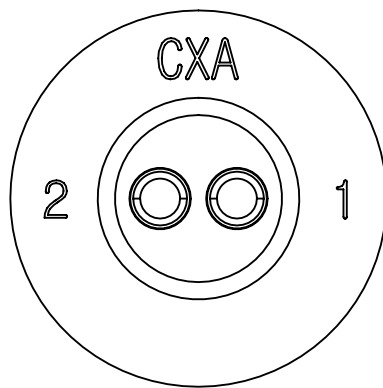
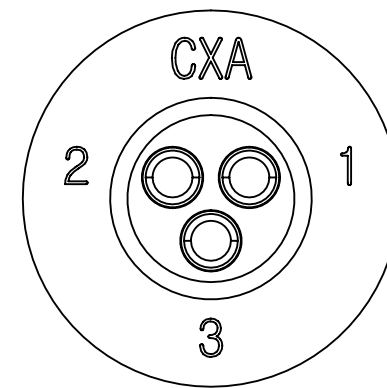


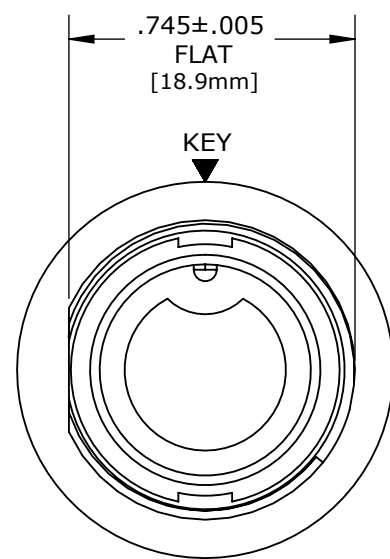
- NOTES:
 1. PARTS TO BE BULK PACKED
 2. CONTACTS ARE ASSEMBLED INTO CONNECTOR.
 3. BLACK EPOXY SEALED ON BACK OF CONNECTOR



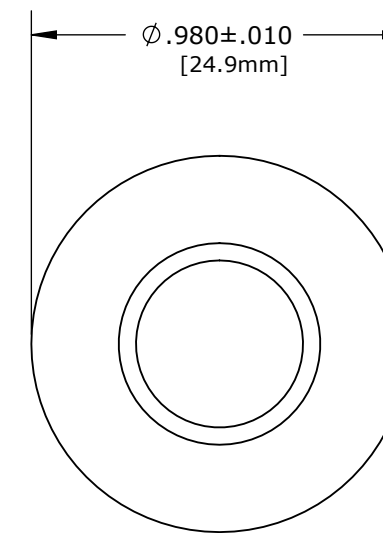
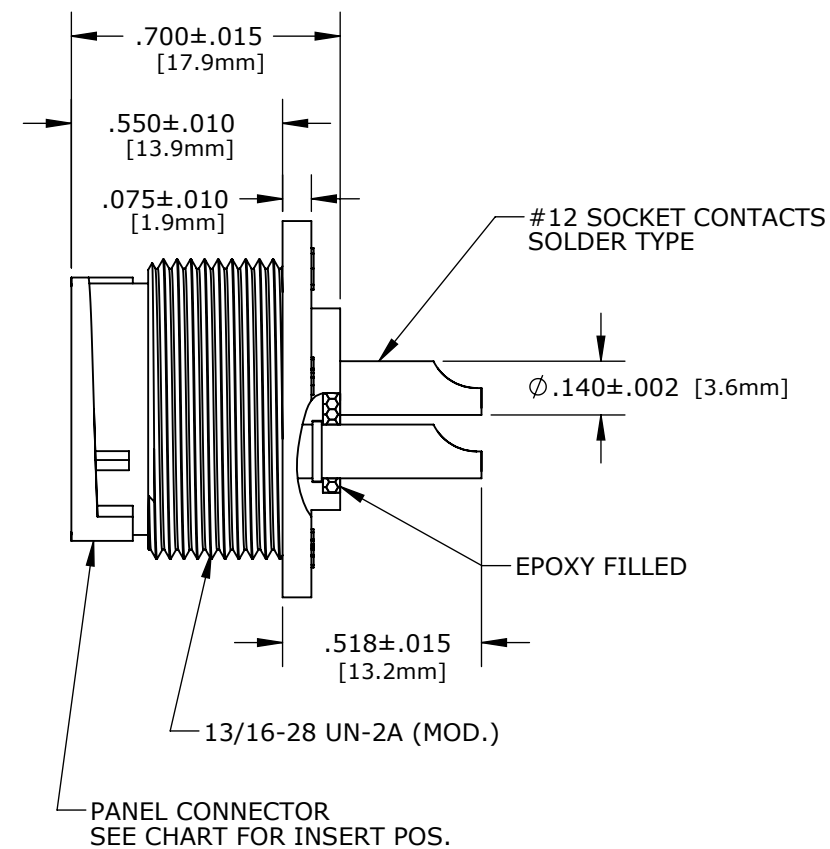
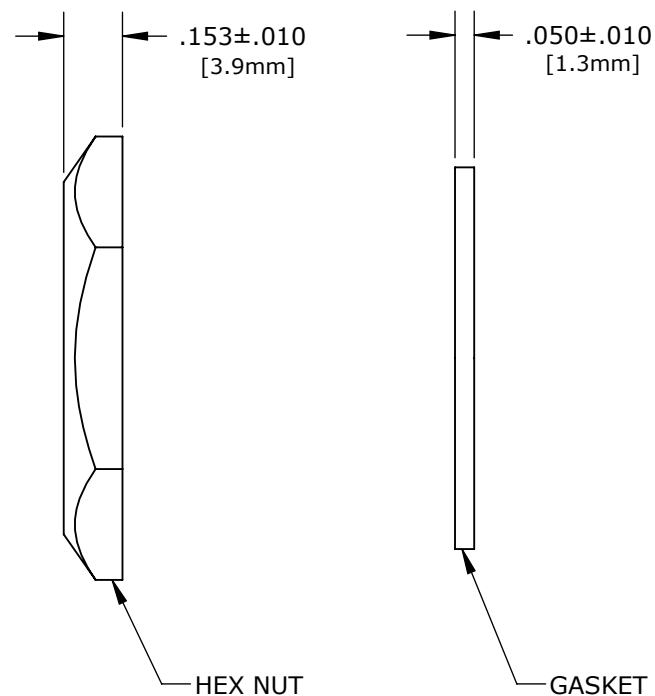
WIRE VIEW
4182-2SG-3ES



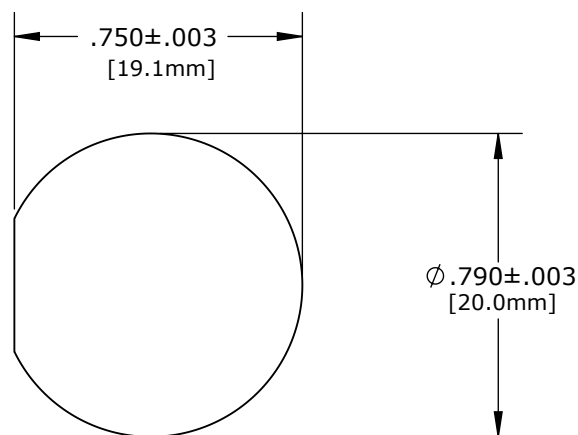
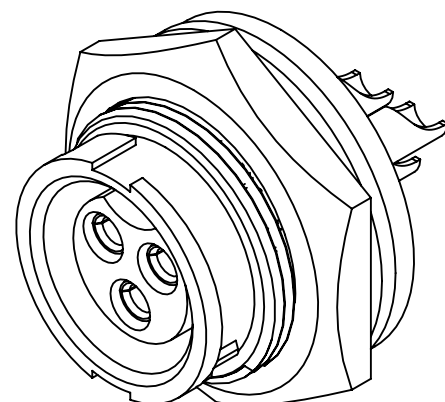
WIRE VIEW
4182-3SG-3ES



FACE VIEW



WIRE VIEW



RECOMMENDED PANEL CUT-OUT

DIMENSIONS IN BRACKET [] ARE METRIC.

ASS'Y P/N	INSERT
4182-2SG-3ES	2 POS.
4182-3SG-3ES	3 POS.

CUSTOMER APPROVAL

THIS DOCUMENT CONTAINS CONFIDENTIAL INFORMATION PROPRIETARY TO CONXALL CORPORATION. ANY REPRODUCTION, DISCLOSURE, OR USE OF THIS DOCUMENT /INFORMATION IS EXPRESSLY PROHIBITED UNLESS AUTHORIZED IN WRITING BY CONXALL CORPORATION.

APPROVED BY: _____
 DATE: _____

REV.	INIT.	DATE	DESCRIPTION
A	AN	07-09-10	RELEASE PER DOR 10-2439KL
A	AN	01-16-09	DRAWING CREATED PER DOR 09-E149SL

ALL INFORMATION ILLUSTRATED IS THE PROPERTY OF CONXALL CORPORATION. UNAUTHORIZED DUPLICATION OR DISTRIBUTION OF THIS DOCUMENT IS PROHIBITED.	ORIG. DRAWN BY: AN DATE: 01-16-09 CHECKED BY:	601 E. WILDWOOD VILLA PARK, IL 60181
ALL UNITS ARE IN FEET, INCHES, FRACTION OF INCHES AND DECIMALS. UNLESS OTHERWISE SPECIFIED TOLERANCES: 3 PLACE DECIMALS ±.010 ANGLES ±1° FRACTIONS ±1/16 ▽ = CRITICAL CHARACTERISTIC FLAG PER SPEC. XXXX	APPROVED BY: SCALE: NTS SIZE: B SHEET: 1 OF 1 FILE: 4182-XSG-3ES DIRECTORY: SLW	