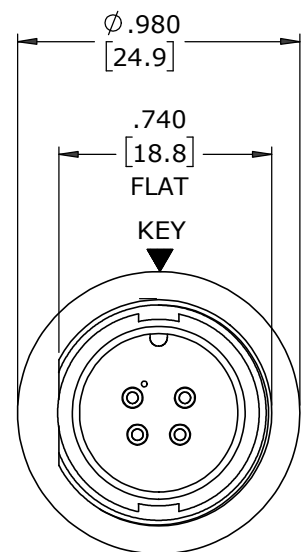


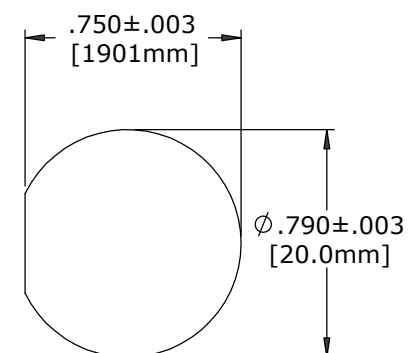
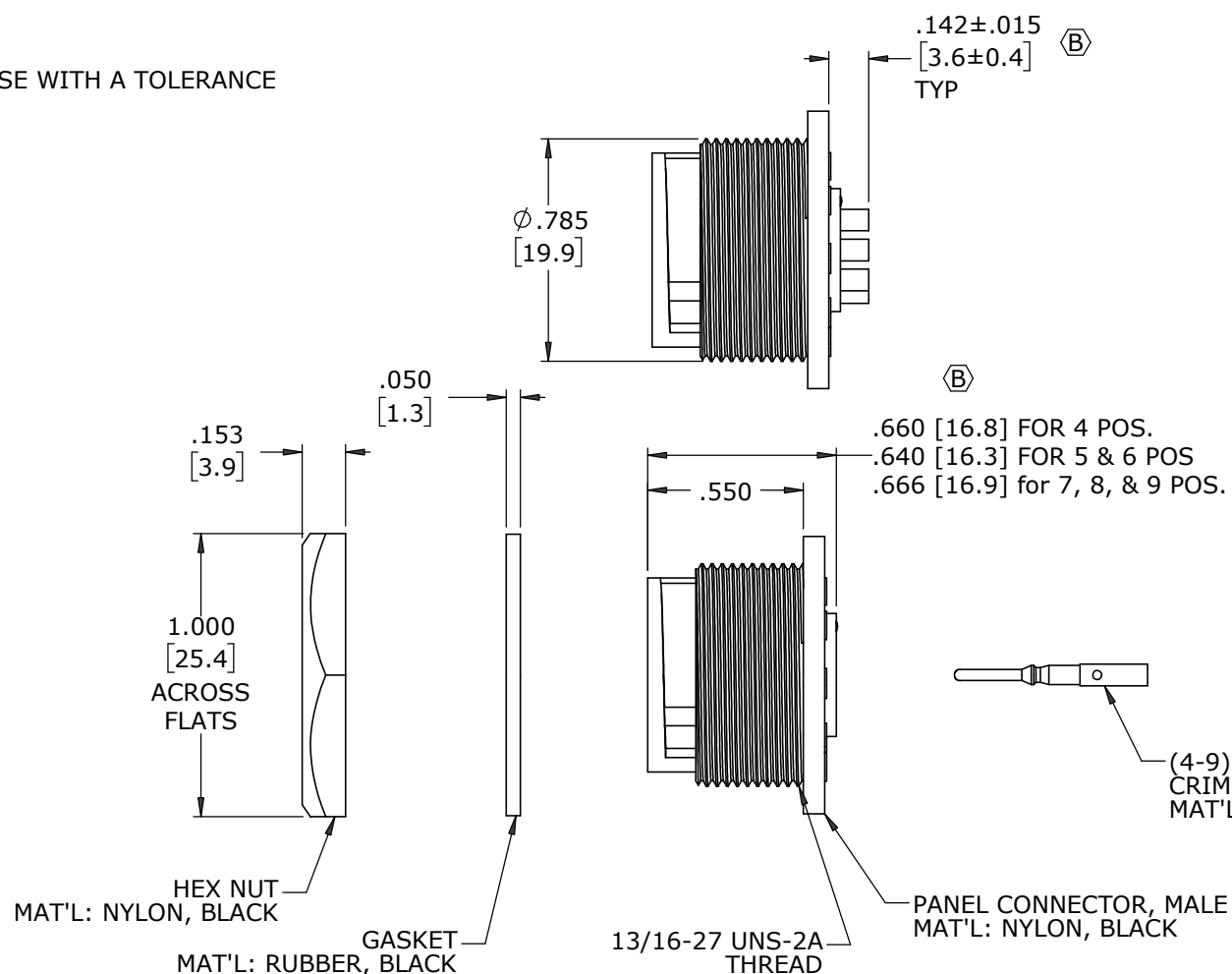
ASS'Y P/N	CONTACT QTY.
4280-4PG-300	4 #20
4280-5PG-300	5 #20
4280-6PG-300	6 #20
4280-7PG-300	7 #20
4280-8PG-300	8 #20
4280-9PG-300	9 #20

NOTES:

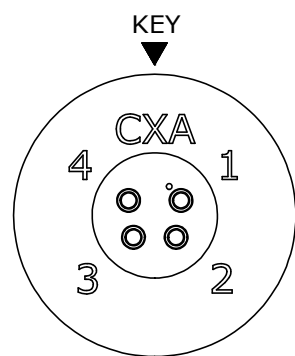
1. ALL PARTS TO BE BULK PACKED
2. CONTACTS SHIPPED UNASSEMBLED
3. SEE DRAWING HPMUSTD FOR HOLE PATTERN
4. ALL DIMENSIONS ARE REFERENCE EXCEPT THOSE WITH A TOLERANCE



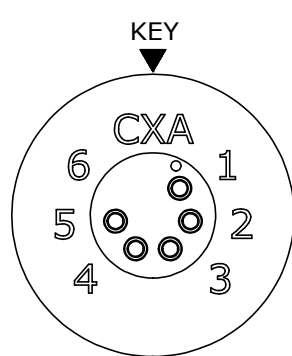
FACE VIEW
4280-4PG-300 SHOWN



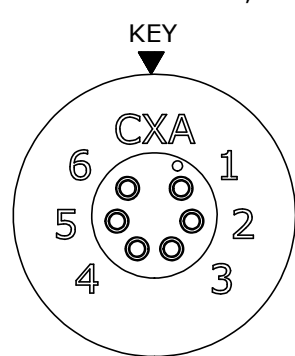
RECOMMENDED PANEL CUT OUT



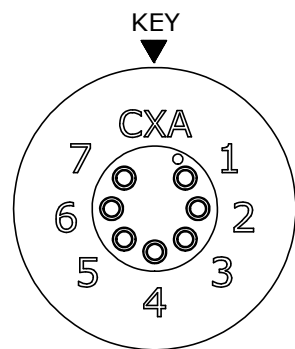
WIRING VIEW
ASSY: 4280-4PG-300



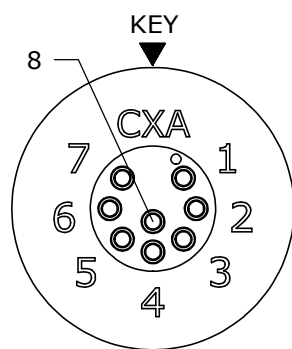
WIRING VIEW
ASSY: 4280-5PG-300



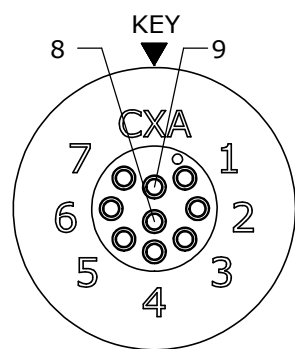
WIRING VIEW
ASSY: 4280-6PG-300



WIRING VIEW
ASSY: 4280-7PG-300



WIRING VIEW
ASSY: 4280-8PG-300



WIRING VIEW
ASSY: 4280-9PG-300

CUSTOMER APPROVAL

THIS DOCUMENT CONTAINS CONFIDENTIAL INFORMATION PROPRIETARY TO CONXALL CORPORATION. ANY REPRODUCTION, DISCLOSURE, OR USE OF THIS DOCUMENT /INFORMATION IS EXPRESSLY PROHIBITED UNLESS AUTHORIZED IN WRITING BY CONXALL CORPORATION.

APPROVED BY: _____
DATE: _____

B	MA	10-14-20	CONNECTOR OVERALL LENGTH WAS .666 FOR 4 POS. .640 FOR ALL REMAINING POS. ADDED CONTACT HEIGHT VIEW. REVISED NOTES PER ECR 9552
A	JD	03-14-14	DRAWING CREATED PER DOR 14-E149SL(13)
REV.	INIT.	DATE	DESCRIPTION
	JD	03-14-14	ORIG. DRAWN BY: DATE: JD 03-14-14
ALL INFORMATION ILLUSTRATED IS THE PROPERTY OF "CONXALL CORPORATION". UNAUTHORIZED DUPLICATION OR DISTRIBUTION OF THIS DOCUMENT IS PROHIBITED.			<p>601 E. WILDWOOD VILLA PARK, IL 60181</p>
ALL UNITS ARE IN FEET, INCHES, FRACTION OF INCHES AND DECIMALS.			
APPROVED BY:		TITLE: PANEL MOUNT ASSEMBLY (4-9) #20 PIN CONTACTS MULTI-CON-X	
SCALE	SIZE	SHEET	CUSTOMER: STANDARD PRODUCT
NTS	B	1 OF 1	
FILE: 4280-XPG-300	DIRECTORY: SLW	PART NUMBER: 4280-XPG-300	REV B

DIMENSIONS IN BRACKETS [] ARE IN MILLIMETERS

RoHS COMPLIANT