

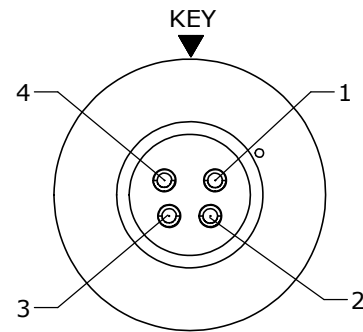
CUSTOMER PRINT

PART NUMBER: 4282-XPG-3ES

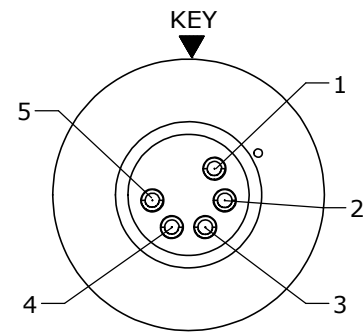
ASSY P/N	NO. OF CONTACTS
4282-4PG-3ES	4
4282-5PG-3ES	5
4282-6PG-3ES	6
4282-7PG-3ES	7
4282-8PG-3ES	8
4282-9PG-3ES	9

NOTES:

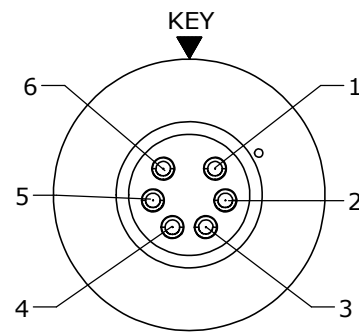
1. PARTS TO BE BULK PACKED.
2. CONTACTS TO BE INSERTED INTO PANEL CONNECTOR.
3. BACK SIDE OF PANEL CONNECTOR IS APPLIED WITH BLACK EPOXY.
4. SEE DRAWING HPMUSTD FOR HOLE PATTERN.
5. ALL DIMENSIONS ARE REFERENCE ONLY EXCEPT WHEN NOTED WITH TOLERANCE.



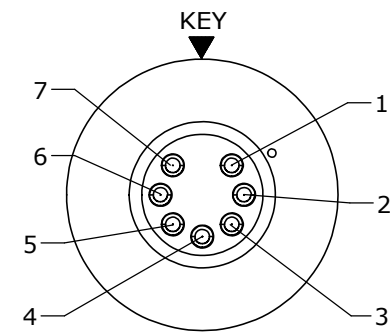
WIRING VIEW
4282-4PG-3ES



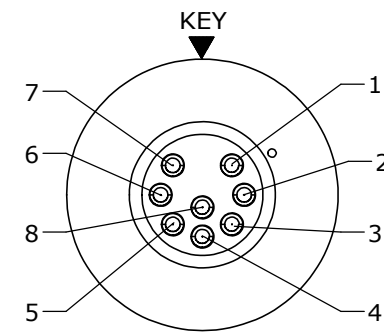
WIRING VIEW
4282-5PG-3ES



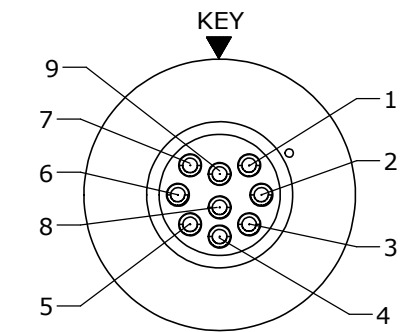
WIRING VIEW
4282-6PG-3ES



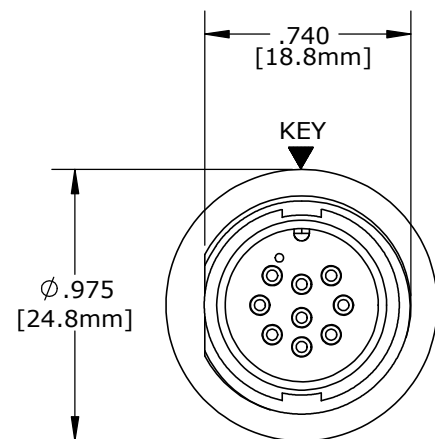
WIRING VIEW
4282-7PG-3ES



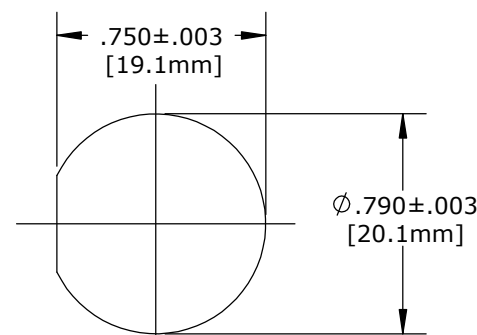
WIRING VIEW
4282-8PG-3ES



WIRING VIEW
4282-9PG-3ES

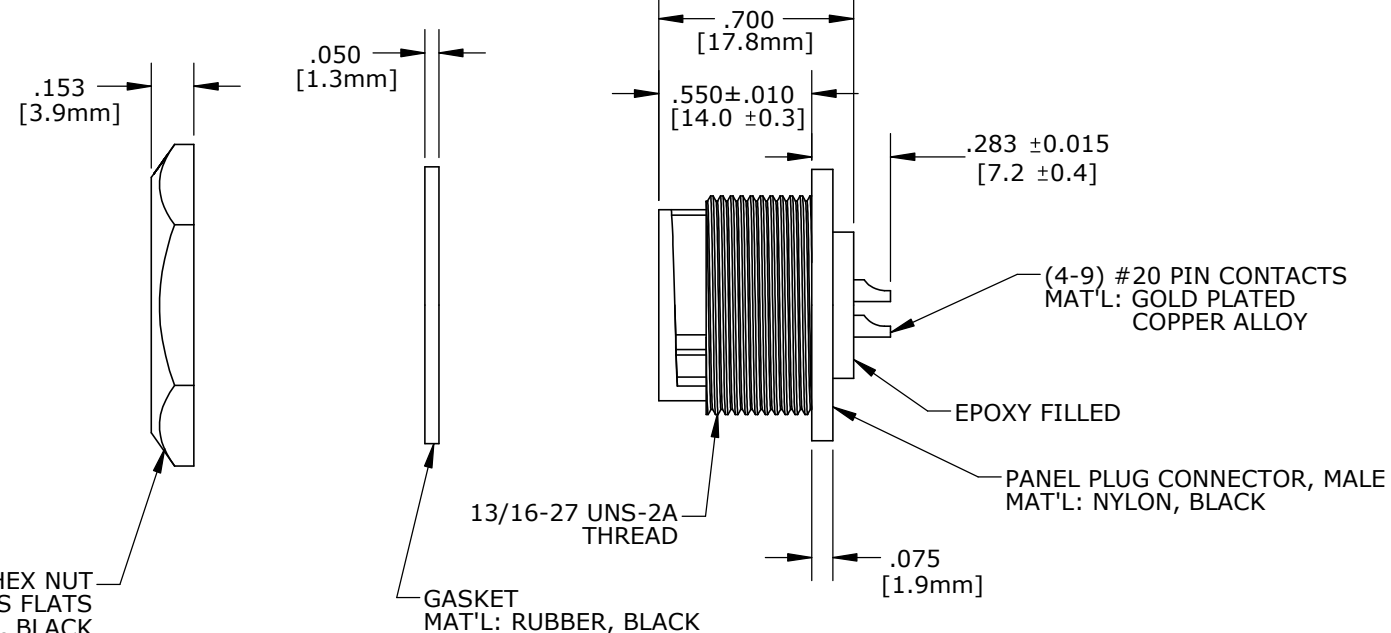


MATING FACE
SHOWN 4282-9PG-3ES



**RECOMMENDED
PANEL CUTOUT**

HEX NUT
1 IN. [25.4mm] ACROSS FLATS
MAT'L: NYLON, BLACK



CUSTOMER APPROVAL

THIS DOCUMENT CONTAINS CONFIDENTIAL INFORMATION PROPRIETARY TO CONXALL CORPORATION. ANY REPRODUCTION, DISCLOSURE, OR USE OF THIS DOCUMENT /INFORMATION IS EXPRESSLY PROHIBITED UNLESS AUTHORIZED IN WRITING BY CONXALL CORPORATION.

APPROVED BY: _____

DATE: _____

RoHS COMPLIANT

DIMENSIONS IN BRACKETS [] ARE METRIC

A	AN	01-06-21	DRAWING CREATED PER DOR 15-E253SL #32
REV.	INIT.	DATE	DESCRIPTION
	AN	12-21-20	ORIG. DRAWN BY: DATE: 12-21-20
ALL INFORMATION ILLUSTRATED IS THE PROPERTY OF CONXALL CORPORATION. UNAUTHORIZED DUPLICATION OR DISTRIBUTION OF THIS DOCUMENT IS PROHIBITED.			<p>601 E. WILDWOOD VILLA PARK, IL 60181</p>
ALL UNITS ARE IN FEET, INCHES, FRACTION OF INCHES AND DECIMALS.			
APPROVED BY:		TITLE: PANEL PLUG ASSEMBLY (4-9) #20 PIN CONTACTS, SOLDER MULTI-CON-X	
SCALE	SIZE	SHEET	CUSTOMER: STANDARD PRODUCT
NTS	B	1 OF 1	
FILE:	DIRECTORY:	PART NUMBER:	REV
4282-XPG-3ES	SLW	4282-XPG-3ES	A