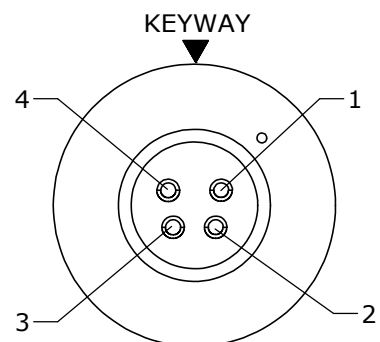
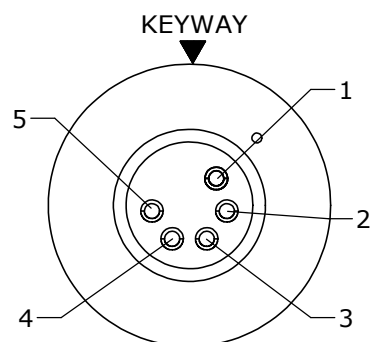


ASSY P/N	NO. OF CONTACTS
4282-4SG-3ES	4
4282-5SG-3ES	5
4282-6SG-3ES	6
4282-7SG-3ES	7
4282-8SG-3ES	8
4282-9SG-3ES	9

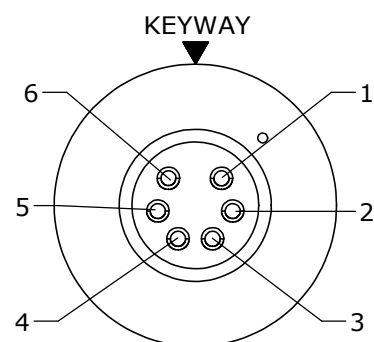
- NOTES:**
- PARTS TO BE BULK PACKED
  - CONTACTS TO BE INSERTED INTO PANEL CONNECTOR
  - BACK SIDE OF PANEL CONNECTOR IS APPLIED WITH BLACK EPOXY
  - SEE DRAWING HPMUSTD FOR HOLE PATTERN
  - ALL DIMENSIONS ARE REFERENCE EXCEPT THOSE WITH A TOLERANCE



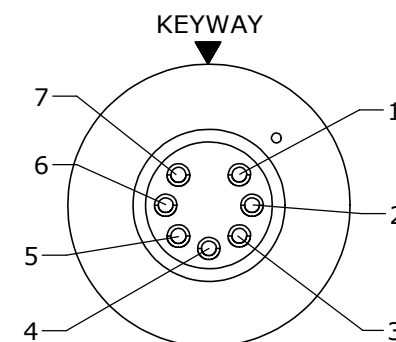
**WIRING VIEW**  
4282-4SG-3ES



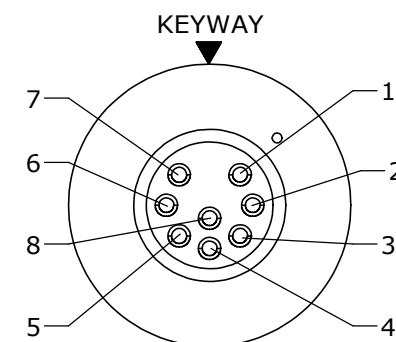
**WIRING VIEW**  
4282-5SG-3ES



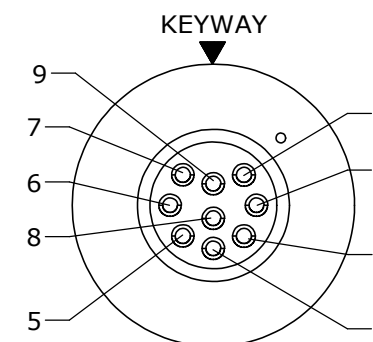
**WIRING VIEW**  
4282-6SG-3ES



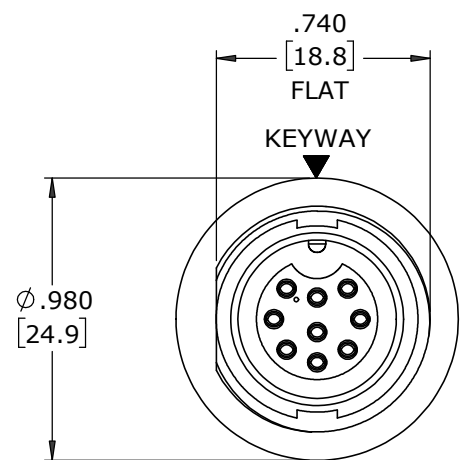
**WIRING VIEW**  
4282-7SG-3ES



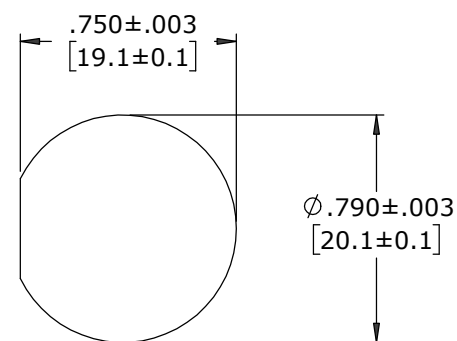
**WIRING VIEW**  
4282-8SG-3ES



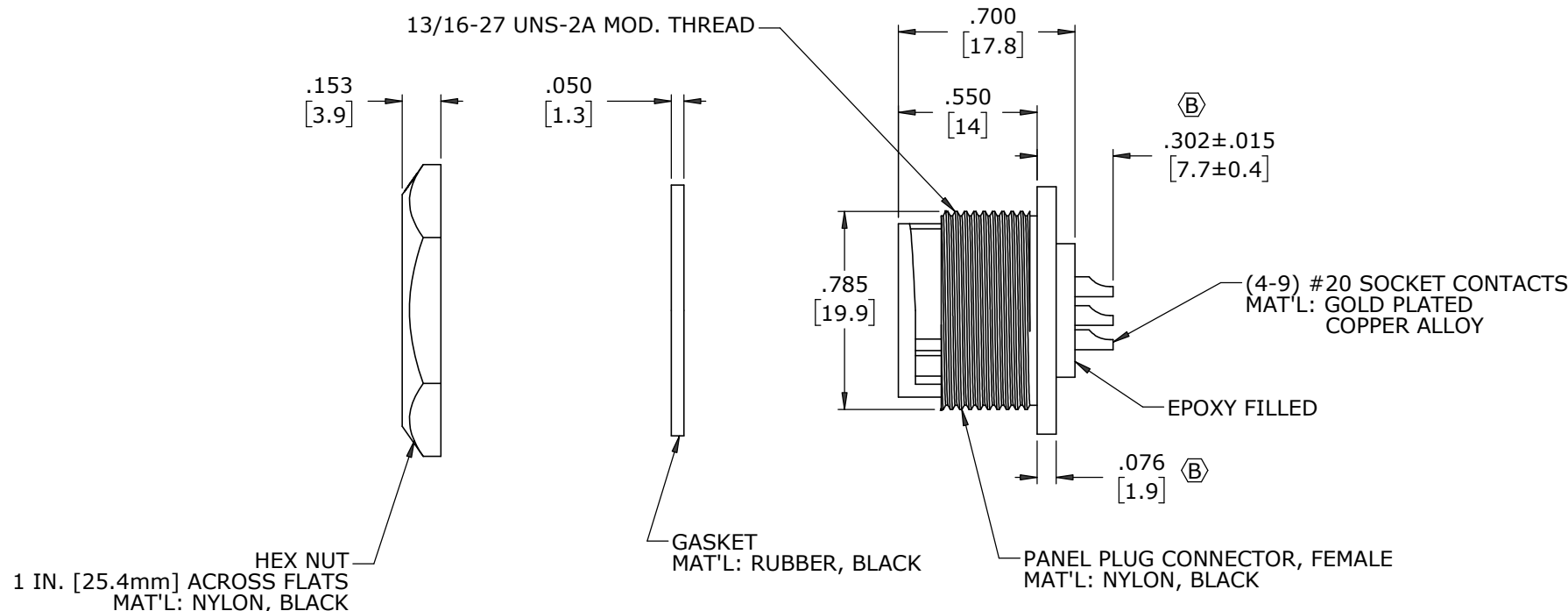
**WIRING VIEW**  
4282-9SG-3ES



**MATING FACE**  
SHOWN 4282-9SG-3ES



**RECOMMENDED  
PANEL CUTOUT**



DIMENSIONS IN BRACKETS [ ] ARE IN MILLIMETERS

CUSTOMER APPROVAL			
THIS DOCUMENT CONTAINS CONFIDENTIAL INFORMATION PROPRIETARY TO CONXALL CORPORATION. ANY REPRODUCTION, DISCLOSURE, OR USE OF THIS DOCUMENT /INFORMATION IS EXPRESSLY PROHIBITED UNLESS AUTHORIZED IN WRITING BY CONXALL CORPORATION.			
APPROVED BY: _____	DATE: _____	REV: B	MA 12-04-18
		A	AN 04-20-16
		INIT:	DATE
		AN	04-20-16
		CHECKED BY:	
		APPROVED BY:	
		SCALE: NTS	SIZE: B
		SHEET: 1 OF 1	
		FILE: 4282-XSG-3ES	DIRECTORY: SLW
		TITLE: PANEL PLUG ASSEMBLY (4-9) SOCKET CONTACTS, SOLDER MULTI-CON-X CUSTOMER: STANDARD PRODUCT	
		PART NUMBER: 4282-XSG-3ES	
		REV: B	

**RoHS COMPLIANT**

CRITICAL CHARACTERISTIC FLAG PER SPEC. XXXX