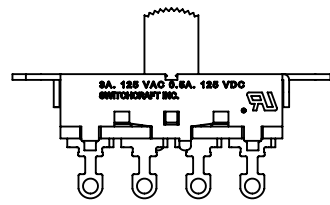


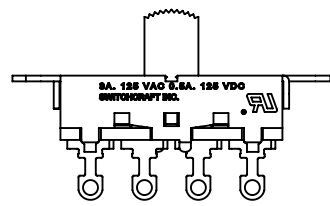
**46311LDRX**

SCHMATIC  
SINGLE POLE TRIPLE THROW



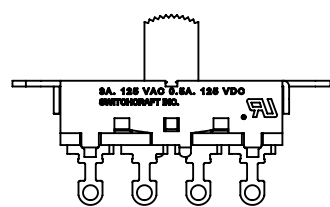
**46311LDSRX**

SCHMATIC  
SINGLE POLE TRIPLE THROW  
SHORTING CONTACT



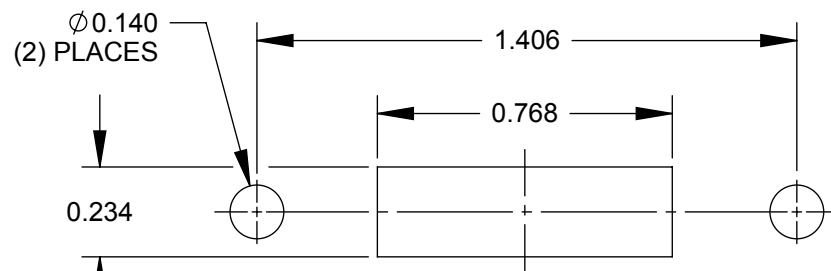
**46313LDRX**

SCHMATIC  
DOUBLE POLE TRIPLE THROW



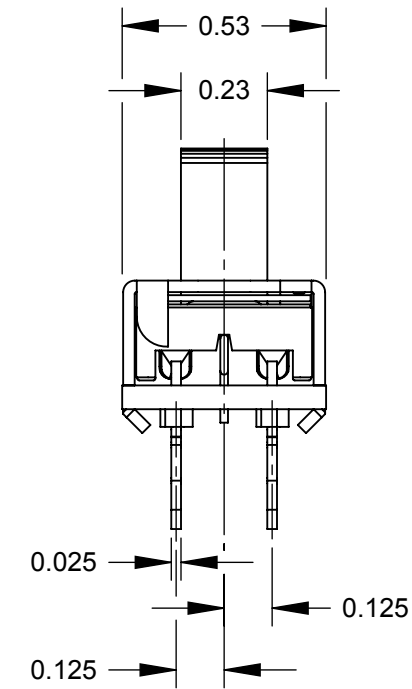
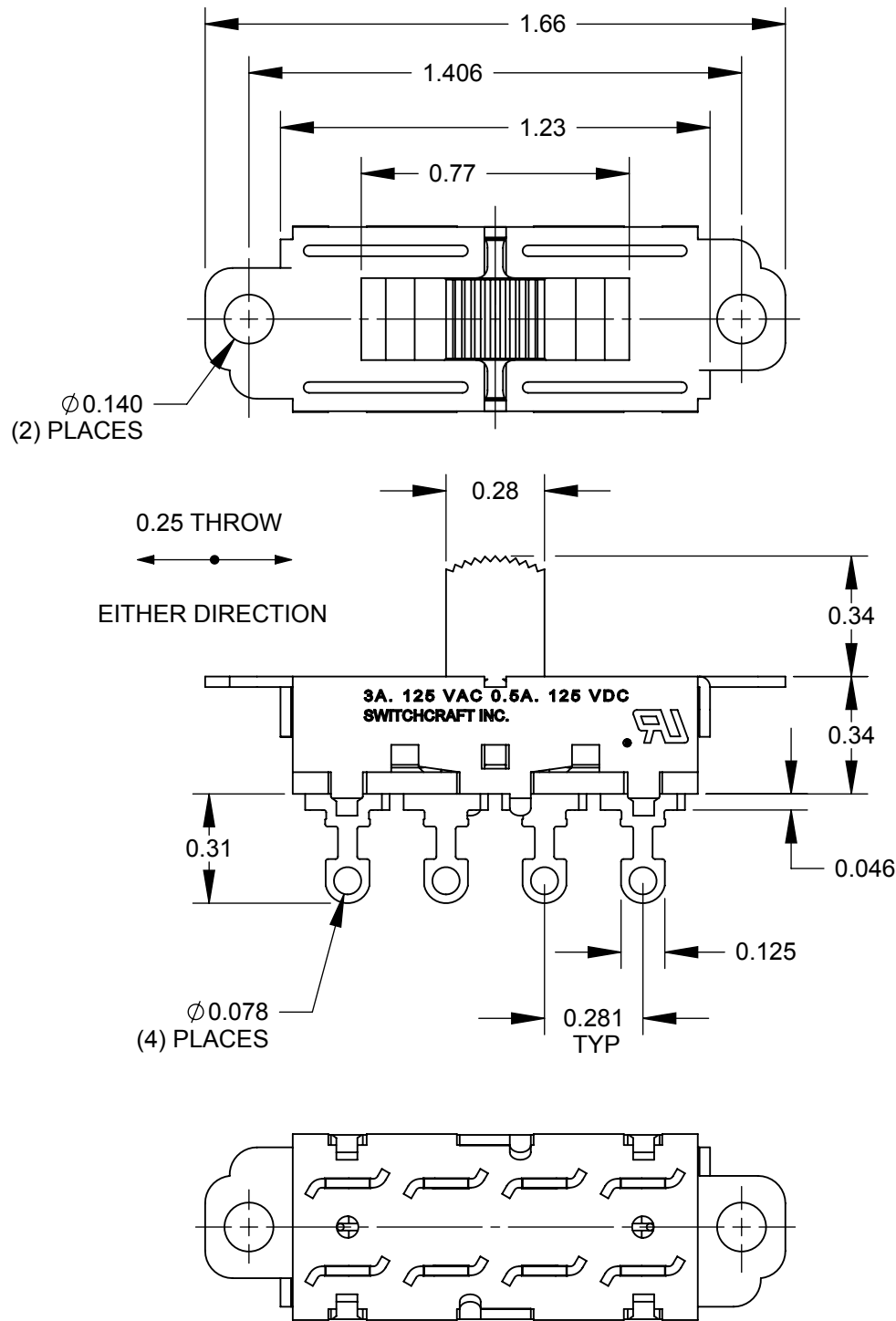
**46313LDSRX**

SCHMATIC  
DOUBLE POLE TRIPLE THROW  
SHORTING CONTACT

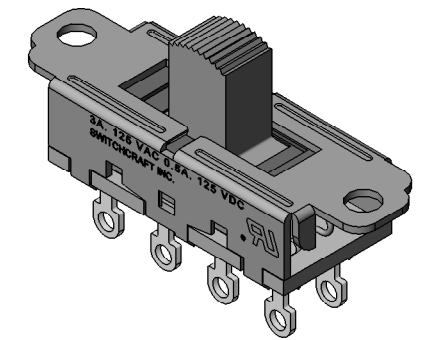


**RECOMMENDED PANEL CUT-OUT**

- NOTES:  
 1. ALL DIMENSIONS REFERENCE UNLESS OTHERWISE SPECIFIED.  
 2. MATERIALS:  
 HOUSING - CRS, ZINC PLATED  
 BUTTON - THERMOPLASTIC, BLACK  
 SHIMS - THERMOPLASTIC, DARK GRAY  
 DETENT WIRE - MUSIC WIRE  
 TERMINALS & CONTACT SLIDER - COPPER ALLOY, SILVER PLATED  
 TERMINAL BOARD - PHENOLIC  
 3. SWITCH RATING:  
 3 AMPS 125 VAC - 0.5 AMPS 125 VDC  
 4. THIS PRODUCT IS RoHS COMPLIANT.



**46313LDRX SHOWN**



**CUSTOMER DRAWING**

REV	ECO NUMBER	DATE	BY	APVD
A	26002	3/23/06	RS	TJK
REVISIONS				

UNLESS OTHERWISE SPECIFIED  
 1. ALL DIMENSIONS IN INCHES  
 - TWO PLACE DECIMALS ±0.02  
 - THREE PLACE DECIMALS ±0.005

**DO NOT SCALE DRAWING**

THIS DRAWING DESCRIBES A DESIGN CONSIDERED PROPRIETARY IN NATURE, DEVELOPED AND MANUFACTURED BY SWITCHCRAFT INC. AND IS RELEASED ON A CONFIDENTIAL BASIS FOR IDENTIFICATION PURPOSES ONLY.									
SIZE	WIDTH	MULT	LBS/M	TEMPER					
FINISH					MATERIAL				
SPEC No.					SPEC No.				
FIRST USED ON					SCALE 2:1				
DATE DRAWN	BY	CHKD	APVD						
9/14/09	RS	RS	TJK						
			9/14/09						
NAME SLIDE SWITCH 3 POSITION LOCKING, RoHS					PART No. 46300LDRX SERIES			REV A	