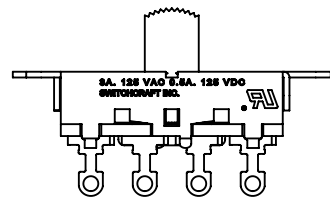
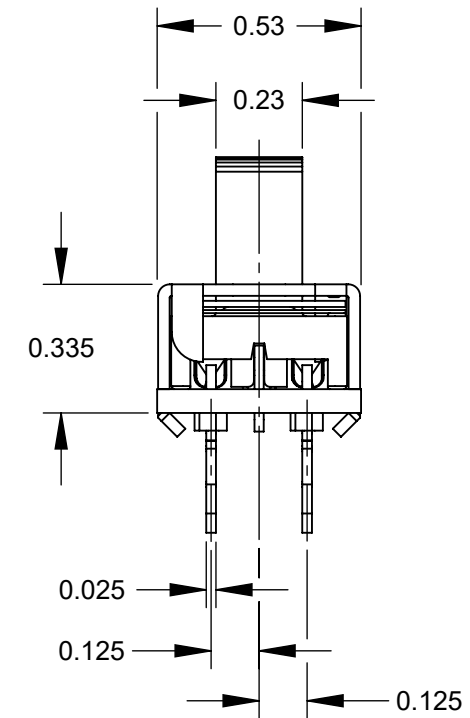
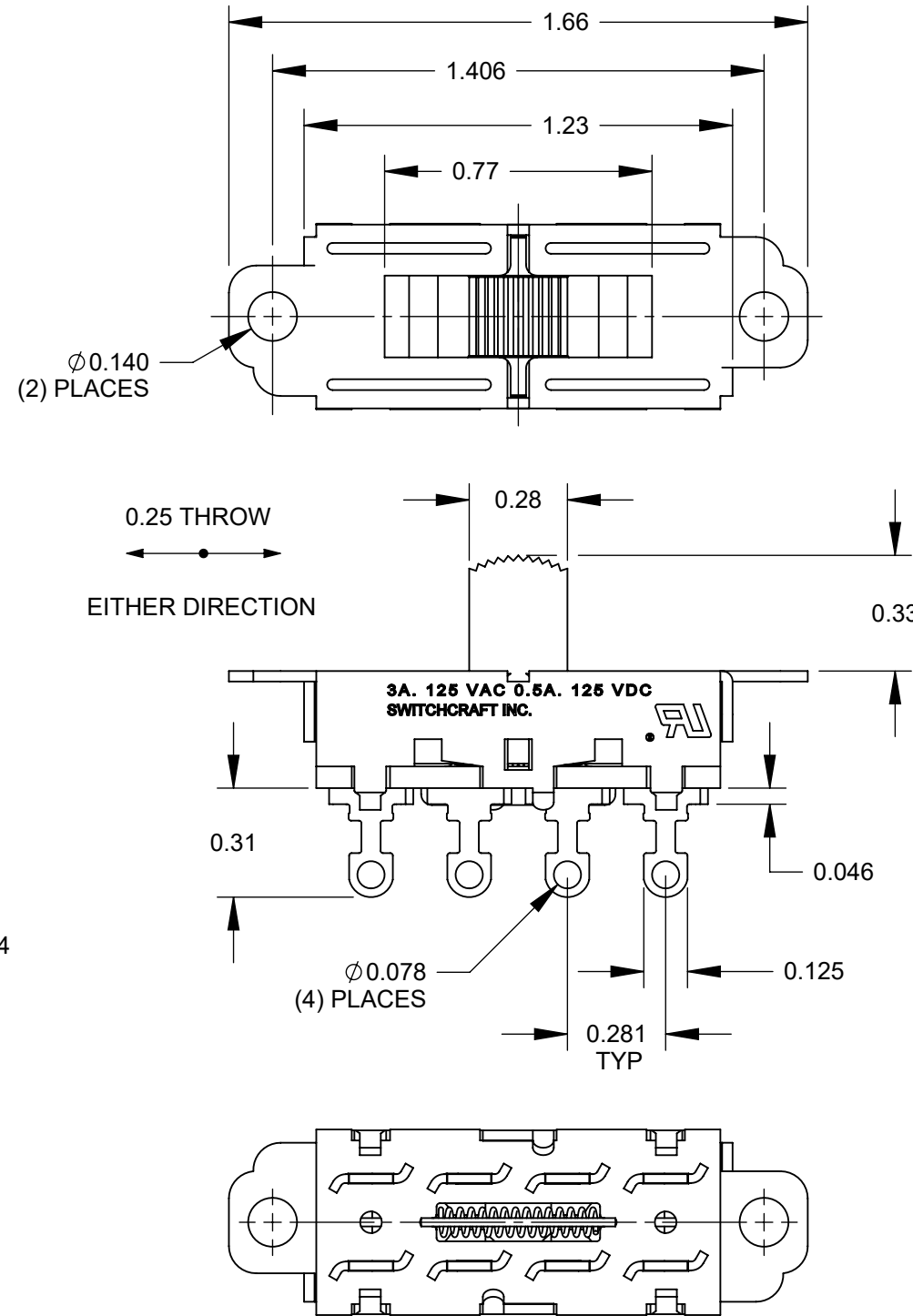
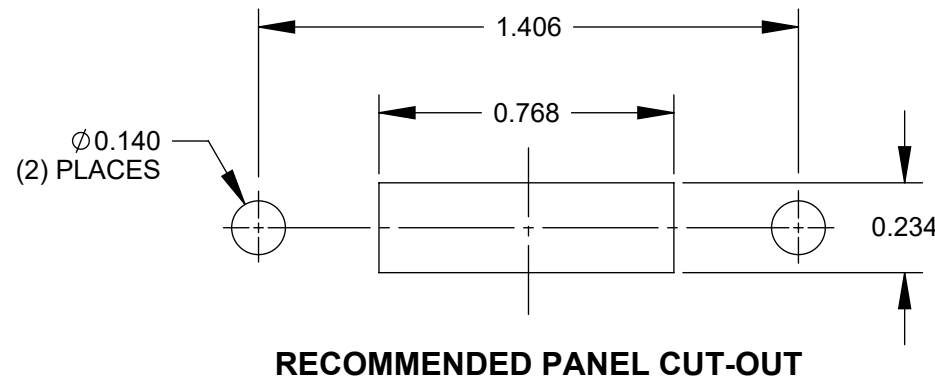
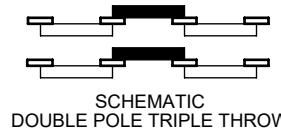


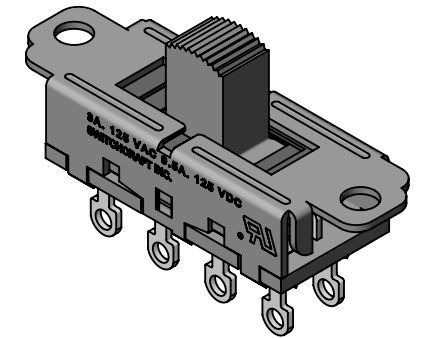
46311MDRX



46313MDRX



46313MDRX SHOWN



NOTES:

- ALL DIMENSIONS REFERENCE UNLESS OTHERWISE SPECIFIED.
- MATERIALS:
HOUSING - CRS, ZINC PLATED
BUTTON - THERMOPLASTIC, BLACK
SHIMS - THERMOPLASTIC, DARK GRAY
RETAINER PLATE - CRS, ZINC PLATED
COMPRESSION SPRING - MUSIC WIRE
TERMINALS & CONTACT SLIDER - COPPER ALLOY, SILVER PLATED
TERMINAL BOARD - PHENOLIC
- SWITCH RATING:
3 AMPS 125 VAC - 0.5 AMPS 125 VDC
- THIS PRODUCT IS RoHS COMPLIANT.

CUSTOMER DRAWING

					THIS DRAWING DESCRIBES A DESIGN CONSIDERED PROPRIETARY IN NATURE, DEVELOPED AND MANUFACTURED BY SWITCHCRAFT INC. AND IS RELEASED ON A CONFIDENTIAL BASIS FOR IDENTIFICATION PURPOSES ONLY.						
					UNLESS OTHERWISE SPECIFIED	SIZE	WIDTH	MULT	LBS/M	TEMPER	
					1. ALL DIMENSIONS IN INCHES					MATERIAL SPEC No.	
					- TWO PLACE DECIMALS ±0.02					Switchcraft®	
					- THREE PLACE DECIMALS ±0.005						
						FIRST USED ON		SCALE 2:1		SHEET 1 OF 1	
						DATE DRAWN	BY	CHKD	APVD		
A	26002	3/23/06	RS	TJK		9/14/09	RS	RS	TJK		
REVISIONS					DO NOT SCALE DRAWING					PART No. 46300MDRX SERIES	
REV	ECO NUMBER	DATE	BY	APVD						REV A	