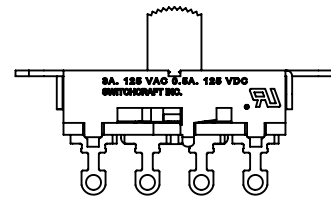
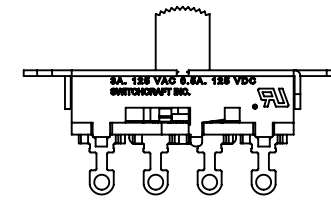
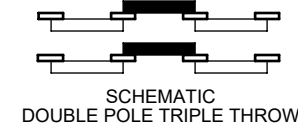


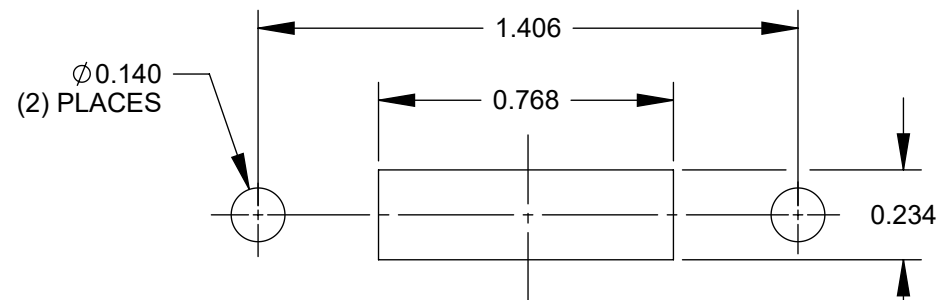
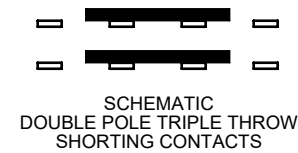
46311TDRX



46313TDRX



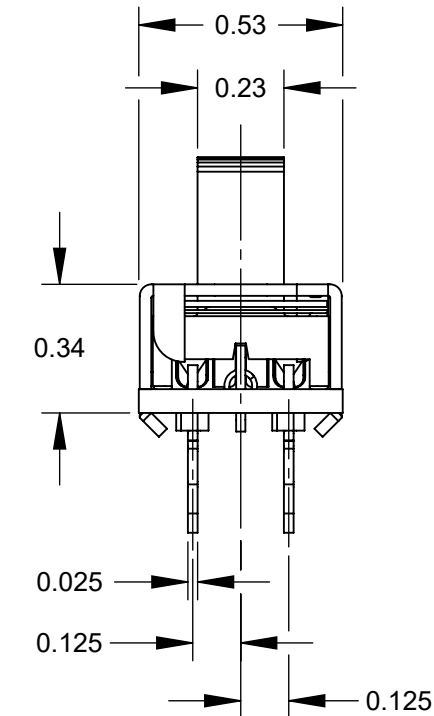
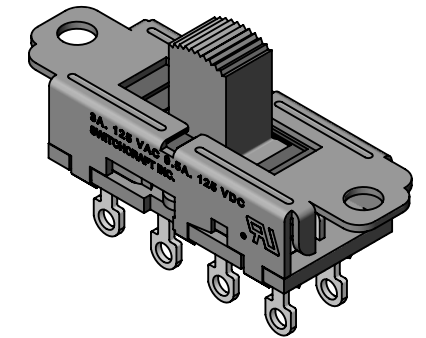
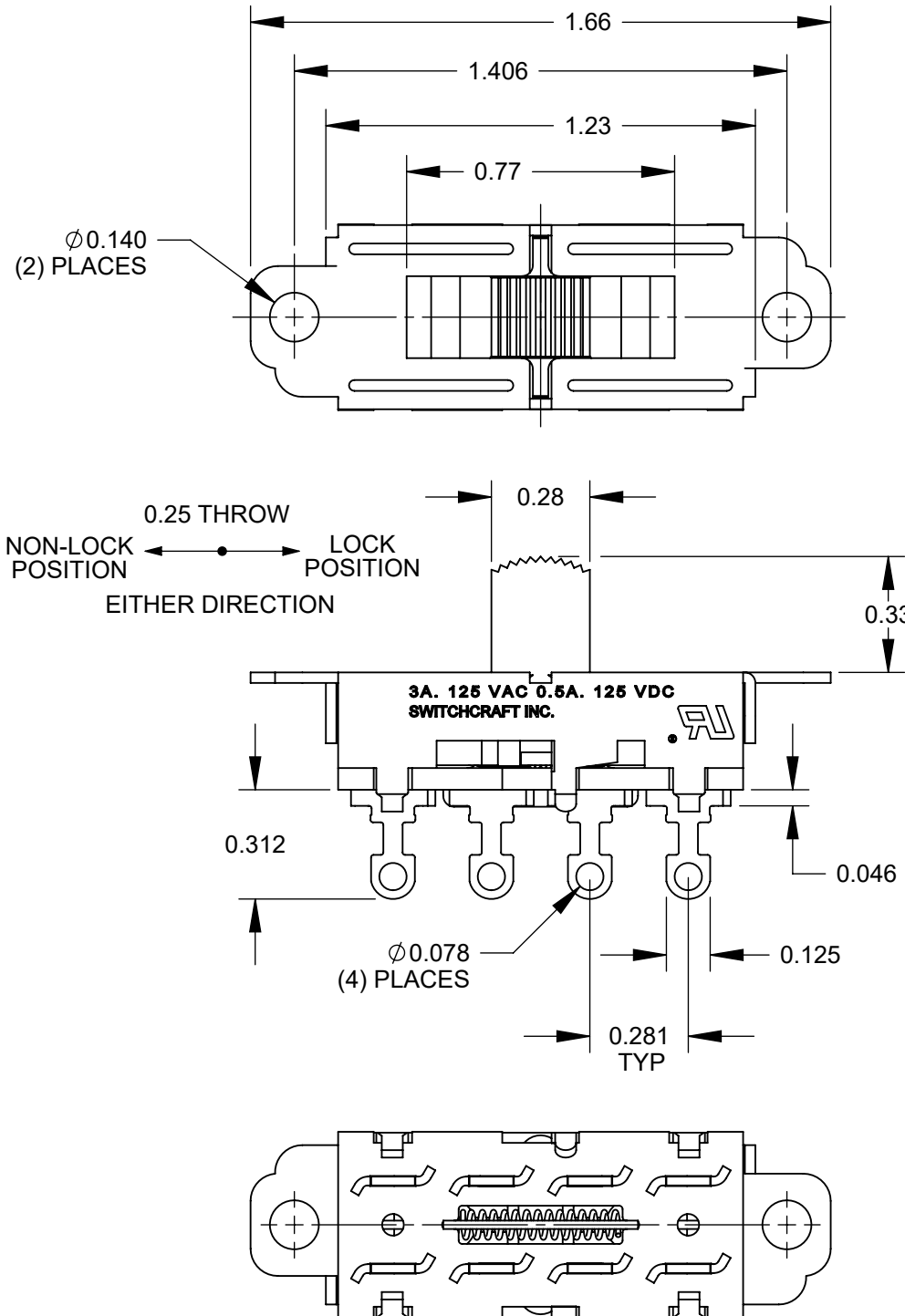
46313TDRSX



RECOMMENDED PANEL CUT-OUT

NOTES:

- ALL DIMENSIONS REFERENCE UNLESS OTHERWISE SPECIFIED.
- MATERIALS:**
HOUSING - CRS, ZINC PLATED
BUTTON - THERMOPLASTIC, BLACK
SHIMS - THERMOPLASTIC, DARK GRAY
RETAINER PLATE - CRS, ZINC PLATED
COMPRESSION SPRING - MUSIC WIRE
TERMINALS & CONTACT SLIDER - COPPER ALLOY, SILVER PLATED
TERMINAL BOARD - PHENOLIC
- SWITCH RATING:**
3 AMPS 125 VAC - 0.5 AMPS 125 VDC
- THIS PRODUCT IS RoHS COMPLIANT.



46313TDRX SHOWN

CUSTOMER DRAWING

| | | | | | | | | | |
|--|------------|---------|----|------|--|----------|-----------------------|------------------------------|---|
| | | | | | THIS DRAWING DESCRIBES A DESIGN CONSIDERED PROPRIETARY IN NATURE, DEVELOPED AND MANUFACTURED BY SWITCHCRAFT INC. AND IS RELEASED ON A CONFIDENTIAL BASIS FOR IDENTIFICATION PURPOSES ONLY. | | | | |
| UNLESS OTHERWISE SPECIFIED | | | | | SIZE | WIDTH | MULT | LBS/M | TEMPER |
| 1. ALL DIMENSIONS IN INCHES - TWO PLACE DECIMALS ±0.02 - THREE PLACE DECIMALS ±0.005 | | | | | FINISH SPEC No. | | | MATERIAL SPEC No. | |
| | | | | | FIRST USED ON | | SCALE 2:1 | | |
| A | 26002 | 3/23/06 | RS | TJK | DATE DRAWN 9/14/09 | BY RS | CHKD RS 9/14/09 | APVD TJK 3/10/11 | Switchcraft [®] SHEET 1 OF 1 |
| REV | ECO NUMBER | DATE | BY | APVD | NAME SLIDE SWITCH 3 POSITION NON-LOCK/LOCK, RoHS | | | PART No. 46300TDRX SERIES | |
| REVISIONS | | | | | DO NOT SCALE DRAWING | | | | |